

ELKAY® SPECIFICATIONS

Gourmet® Undermount Single Bowl Sink Model EGUH1317

GENERAL

Fine quality sink formed of #18 gauge, type 304 nickel bearing stainless steel.

DESIGN FEATURES

Bowl Depth: 8".

Finish: Exposed surfaces are polished to a non-directional soft satin finish.

Underside: Fully protected by heavy duty Sound Guard® undercoating to dampen sound and prevent condensation.

OTHER

Drain Opening: 3-1/2".

Note: All Elkay undermount sinks are designed to affix to the underside of any solid surface countertop.

This sink complies with ASME A112.19.3.

OPTIONAL ACCESSORIES

Rinsing Basket: LKW RB1115SS.

Utensil Caddy for Rinsing Basket: LKWUCSS.

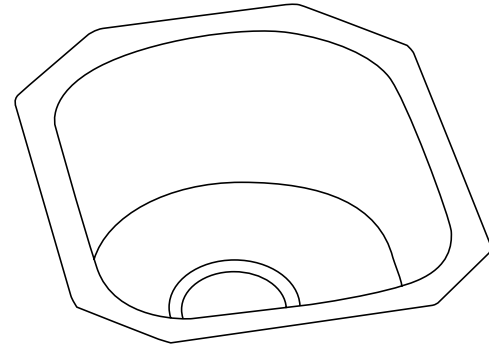
Bottom Grid: LKWOBG1115SS.

SINK DIMENSIONS (INCHES)*

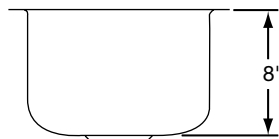
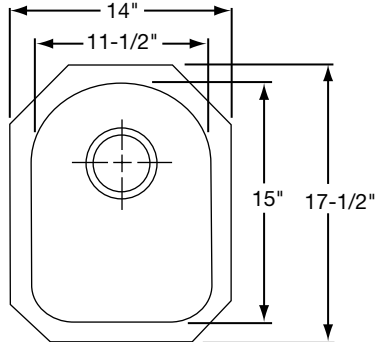
Model Number	Overall		Inside Bowl			Cutout in Countertop See Template**	Minimum Cabinet Size
	L	W	L	W	D		
EGUH1317	14	17 1/2	11 1/2	15	8		18

*Length is left to right. Width is front to back.

**Template and countertop mounting clips are packed with every sink.



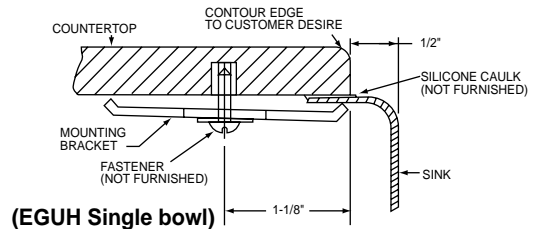
Model EGUH1317



Model EGUH1317 Illustrated

Installation Profile of EGUH Single Bowl Models

The template provided with each EGUH sink provides the only type of installation recommended by Elkay.



ALL DIMENSIONS IN INCHES, TO CONVERT TO MILLIMETERS MULTIPLY BY 25.4.

In keeping with our policy of continuing product improvement, Elkay reserves the right to change product specifications without notice.

This specification describes an Elkay product with design, quality and functional benefits to the user. When making a comparison of other producers' offerings, be certain these features are not overlooked.