

ELKAY®

SPECIFICATIONS

Harmony® Double Bowl Sink Featuring E-Granite, Top Mount Models ELGLB3322 Series

GENERAL

Molded from Elkay E-Granite which is up to 85% natural quartz and high performance acrylic resins. E-Granite is non-porous and resists staining. E-Granite is hard enough to resist scratches and chips, is naturally sound deadened, and heat resistant. The color is solid throughout the sink and is UV resistant to prevent color-fading in indoor application. Top mount.

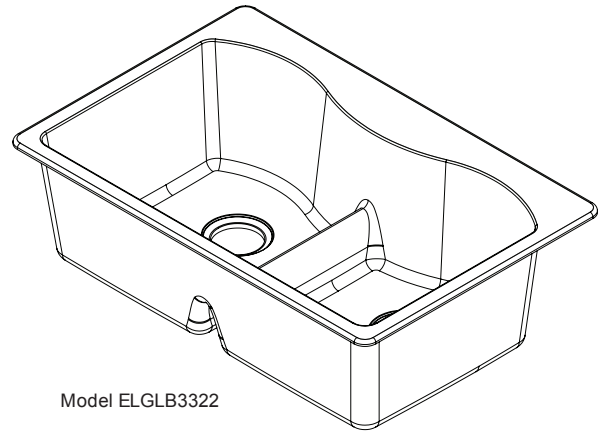
DESIGN FEATURES

Bowl Depth: 9-1/2" (241mm).
Rim Height: 3/8" (10mm).
Aqua Divide Height: 4" (102mm).
Material: Elkay E-Granite.
Color Options with natural accents: Black (BK), Bisque (BQ), Mocha (MC) or White (WH).

OTHER

Drain Opening: 3-1/2" (89mm).
Note: Faucet holes are pre-scored for flexible installation. Installer can punch up to 5 faucet holes.

These sinks comply with ANSI Z124.6 and CSA B45-02. These sinks are listed by the International Association of Plumbing and Mechanical Officials as meeting the requirements of the Uniform Plumbing Code and the National Plumbing Code of Canada

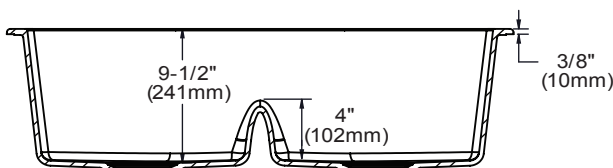
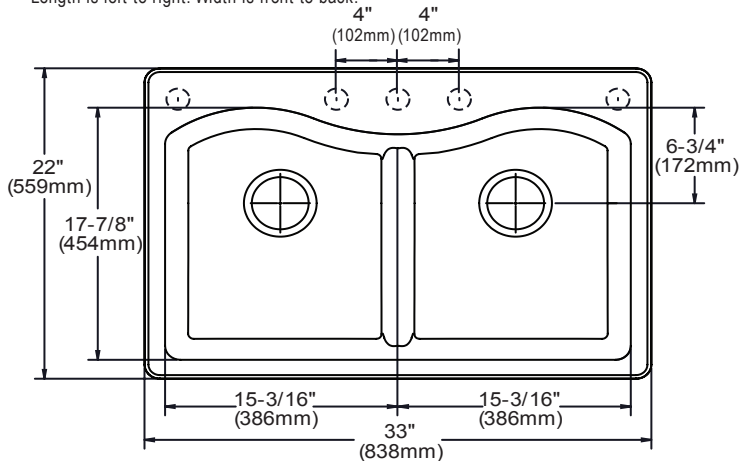


Model ELGLB3322

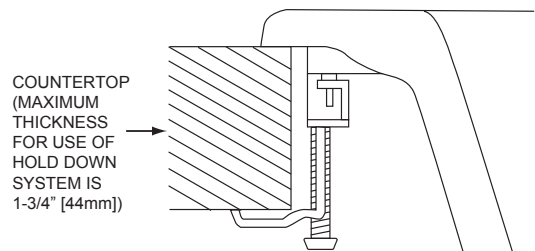
SINK DIMENSIONS*

Model Number	Overall		Inside Each Bowl			Cutout in Countertop 1" (25mm) Radius Corners		No. of Pre-scored 1 1/2" (38mm) Dia Faucet Holes	Minimum Cabinet Size
	L	W	L	W	D	L	W		
ELGLB3322BK	33 (838mm)	22 (559mm)	15 3/16 (386mm)	17 7/8 (454mm)	9 1/2 (241mm)	32-1/8 (816mm)	21-1/8 (537mm)	5	36 (914mm)
ELGLB3322BQ	33 (838mm)	22 (559mm)	15 3/16 (386mm)	17 7/8 (454mm)	9 1/2 (241mm)	32-1/8 (816mm)	21-1/8 (537mm)	5	36 (914mm)
ELGLB3322MC	33 (838mm)	22 (559mm)	15 3/16 (386mm)	17 7/8 (454mm)	9 1/2 (241mm)	32-1/8 (816mm)	21-1/8 (537mm)	5	36 (914mm)
ELGLB3322WH	33 (838mm)	22 (559mm)	15 3/16 (386mm)	17 7/8 (454mm)	9 1/2 (241mm)	32-1/8 (816mm)	21-1/8 (537mm)	5	36 (914mm)

*Length is left to right. Width is front to back.



Cross Profile Installation



In keeping with our policy of continuing product improvement, Elkay reserves the right to change product specifications without notice. Please visit elkayusa.com for the most current version of Elkay product specification sheets.

This specifications describes an Elkay product with design, quality and functional benefits to the user. When making a comparison of other producers' offerings, be certain these features are not overlooked.

**Harmony® Double Bowl Sink
Featuring E-Granite, Top Mount
Models ELGLB3322 Series**

**ELKAY®
SPECIFICATIONS**

OPTIONAL ACCESSORIES*

Model Number	Description	Bowl	Overall			Material/Finish
			L	W	Depth/Thickness	
LKKDT35	Drain	Both	Fits 3 1/2" (89mm) Drain Opening			Chrome Plated
LKD35XX	Drain	Both	Fits 3 1/2" (89mm) Drain Opening			Polymer
LKS35XX	Drain	Both	Fits 3 1/2" (89mm) Drain Opening			Polymer
LKWOBG1417LSS	Bottom Grid	Left	12 1/4" (311mm)	15 1/16" (383mm)	3/4" (19mm)	Polished Stainless Steel
LKWOBG1417RSS	Bottom Grid	Right	12 1/4" (311mm)	15 1/16" (383mm)	3/4" (19mm)	Polished Stainless Steel
LKCB1417HW	Cutting Board	Both	15 9/16" (395mm)	18 3/4" (476mm)	1" (25mm)	Hardwood

*Length is left to right. Width is front to back.



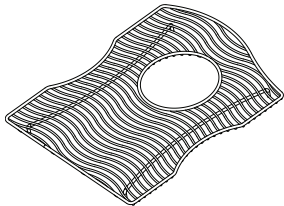
LKKDT35



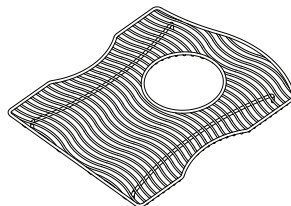
LKD35XX



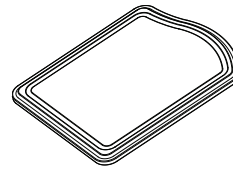
LKS35XX



LKWOBG1417LSS



LKWOBG1417RSS



LKCB1417HW