

DAYTON SPECIFICATIONS

Dayton® A.D.A. Compliant Sink Models GE12521, GE12521L, GE12521R and GE23321

GENERAL

Sink is formed of #22 (.8mm) gauge, 300 series, nickel-bearing stainless steel. Top mount.

DESIGN FEATURES

Bowl Depth: 5-3/8" (137mm).

Coved Corners: 3" (76mm) vertical and 2-1/4" (57mm) horizontal radius.

Finish: Exposed surfaces are polished to a satin finish.

Underside: Undercoated on bottom of bowls.

OTHER

Drain Opening: 3-1/2" (89mm).

Suffix L (left) or R (right) denotes location of the drain.

NOTE: Unless otherwise specified, sink is furnished with 4 faucet holes as shown.

These sinks comply with ASME A112.19.3.



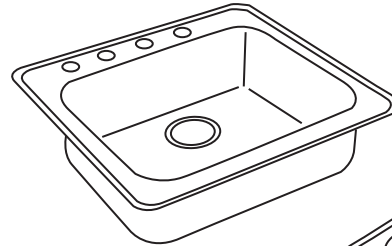
These sinks are listed by the International Association of Plumbing and Mechanical Officials as meeting the requirements of the Uniform Plumbing Code.



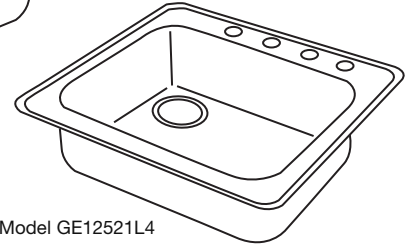
These sinks are listed with the Canadian Standards Association.



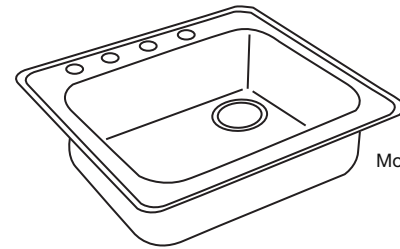
These sinks are designed for ADA compliance.



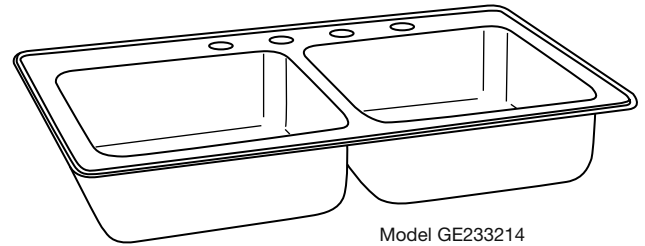
Model GE12521



Model GE12521L4

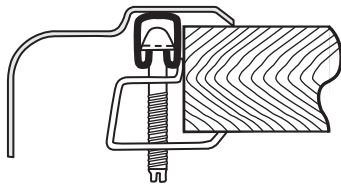


Model GE12521R4

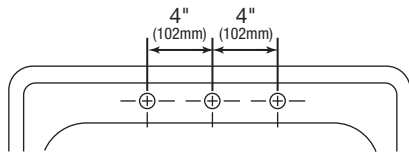


Model GE233214

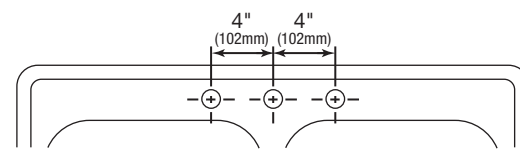
U-Channel Type Mounting System



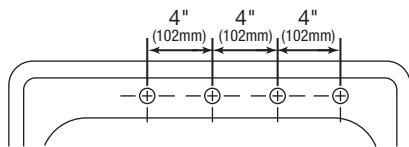
HOLE DRILLING CONFIGURATION



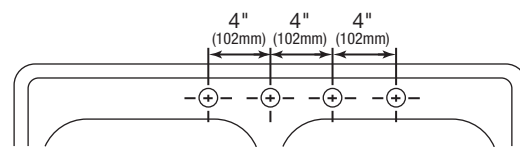
Model GE125213
Model GE12521L3
Model GE12521R3



Model GE233213



Model GE125214
Model GE12521L4
Model GE12521R4



Model GE233214

SEE OTHER SIDE FOR PRODUCT DIMENSIONS.

In keeping with our policy of continuing product improvement, Elkay reserves the right to change product specifications without notice. Please visit elkayusa.com for most current version of Elkay product specification sheets.

This specification describes an Elkay product with design, quality and functional benefits to the user. When making a comparison of other producers' offerings, be certain these features are not overlooked.

Elkay

elkayusa.com

2222 Camden Court
Oak Brook, IL 60523

Printed in U.S.A.
©2009 Elkay

(Rev. 5/09)- 2-42F

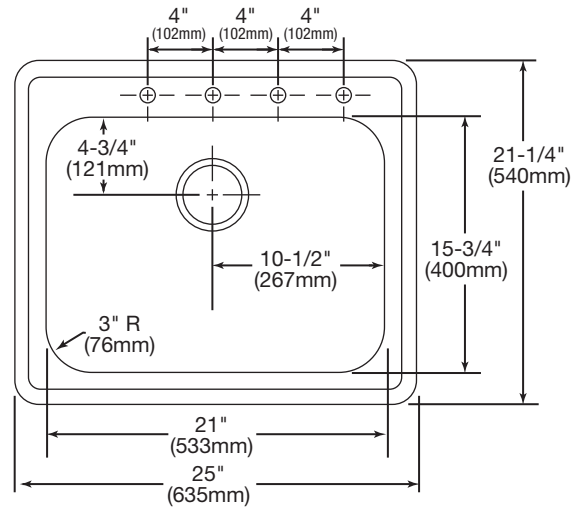
Dayton® A.D.A. Compliant Sink
Models GE12521, GE12521L,
GE12521R and GE23321

DAYTON
SPECIFICATIONS

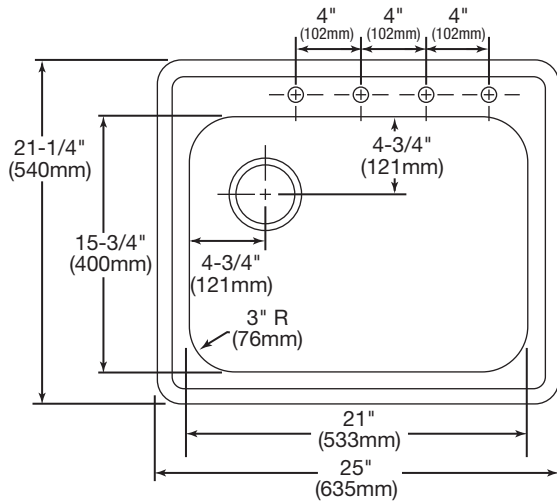
SINK DIMENSIONS*

Model Number	Overall		Inside Each Bowl			Cutout in Countertop (1 1/2" [38mm] Radius Corners)		No. of 1 1/2" (38mm) Dia. Faucet Holes	Minimum Cabinet Size
	L	W	L	W	D	L	W		
GE12521	25 (635mm)	21 1/4 (540mm)	21 (533mm)	15 3/4 (400mm)	5 3/8 (137mm)	24 3/8 (619mm)	20 5/8 (524mm)	3 or 4	30 (762mm)
GE12521L	25 (635mm)	21 1/4 (540mm)	21 (533mm)	15 3/4 (400mm)	5 3/8 (137mm)	24 3/8 (619mm)	20 5/8 (524mm)	3 or 4	30 (762mm)
GE12521R	25 (635mm)	21 1/4 (540mm)	21 (533mm)	15 3/4 (400mm)	5 3/8 (137mm)	24 3/8 (619mm)	20 5/8 (524mm)	3 or 4	30 (762mm)
GE23321	33 (838mm)	21 1/4 (540mm)	14 (356mm)	15 3/4 (400mm)	5 3/8 (137mm)	32 3/8 (821mm)	20 5/8 (524mm)	3 or 4	36 (914mm)

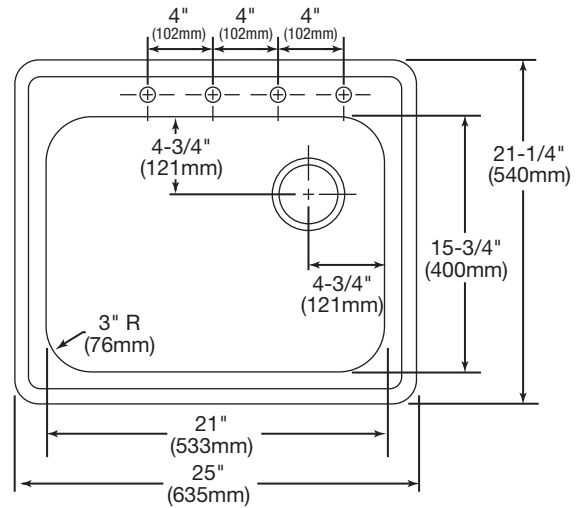
*Length is left to right. Width is front to back.



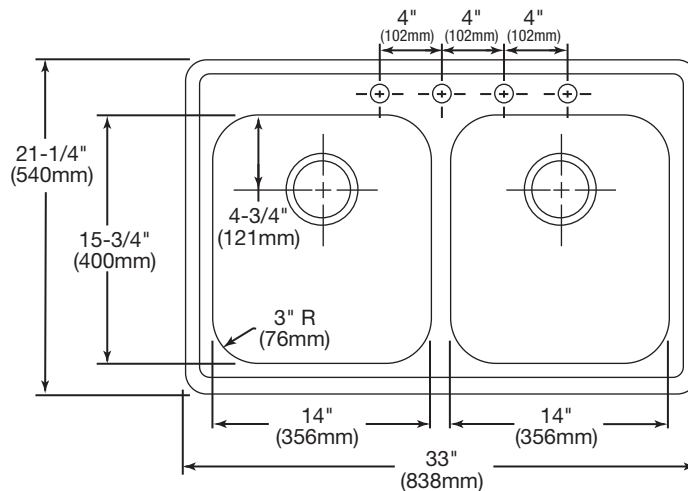
Model GE125214 Illustrated



Model GE12521L4 Illustrated



Model GE12521R4 Illustrated



Model GE233214 Illustrated