

# ELKAY® SPECIFICATIONS

## elumina™ by Elkay Undermount Single Bowl Sink Models EGUH2118 and EGUH211810

### GENERAL

Fine quality sink bowl seamlessly formed of #18 gauge, type 304 nickel bearing stainless steel.

### DESIGN FEATURES

Bowl Depth: 8" (EGUH2118); 10" (EGUH211810).

Finish: Exposed surfaces are polished to a non-directional soft satin finish.

Underside: Sound absorbing pads applied to dampen sound.

### OTHER

Drain Opening: 3-1/2".

NOTE: All Elkay undermount sinks are designed to affix easily to the underside of any solid surface countertop.

### OPTIONAL ACCESSORIES

Rinsing Baskets: LKRB1614 OR LKERBSS.

Bottom Grid: LKOBG1821.

Cutting Board: CB2213.

These sinks comply with ANSI Standard A112.19.3M.



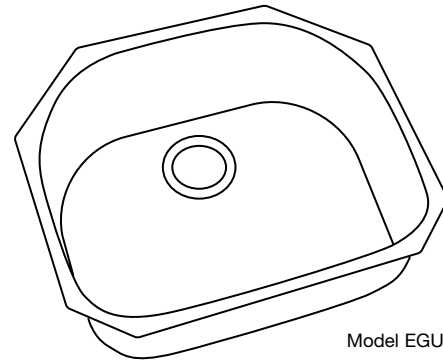
These sinks are listed by the International Association of Plumbing and Mechanical Officials as meeting the requirements of the Uniform Plumbing Code.

### SINK DIMENSIONS (INCHES)\*

Model Number	Overall		Inside Bowl			Cutout in Countertop	Minimum Cabinet Size	Ship. Wt. Lbs.
	L	W	L	W	D			
EGUH2118	23 1/2	21 1/8	21	18 5/8	8	See Template**	27	15 1/2
EGUH211810	23 1/2	21 1/8	21	18 5/8	10		27	17 1/2

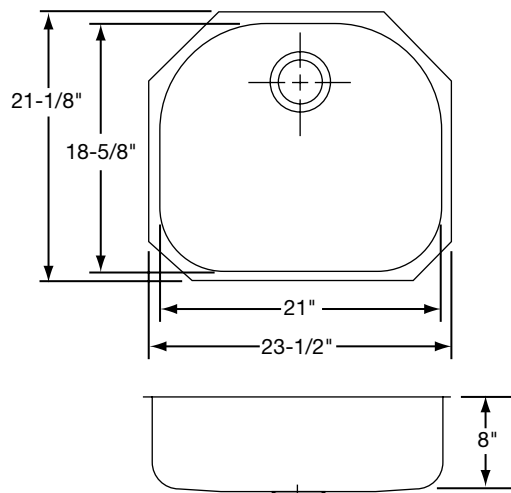
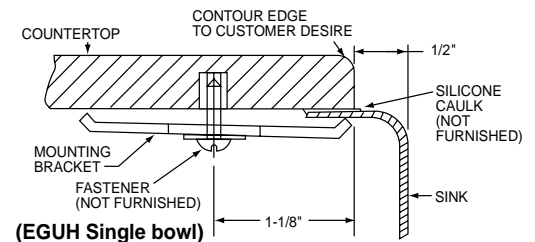
\*Length is left to right. Width is front to back.

\*\*Template and countertop mounting clips are packed with every sink.

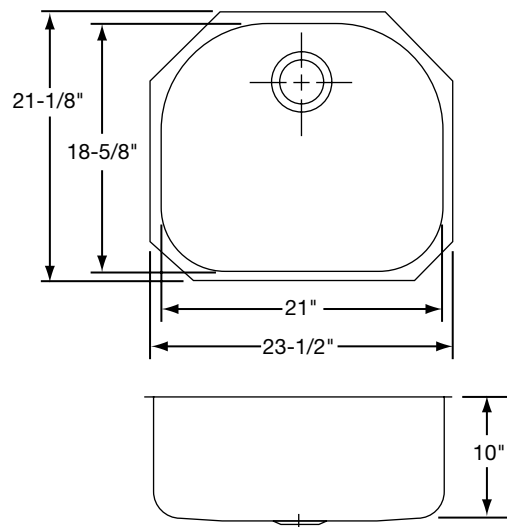


Model EGUH2118

**Installation Profile of EGUH Single Bowl Models**  
The template provided with each EGUH sink provides the only type of installation recommended by Elkay.



Model EGUH2118 Illustrated



Model EGUH211810 Illustrated

ALL DIMENSIONS IN INCHES, TO CONVERT TO MILLIMETERS MULTIPLY BY 25.4.

In keeping with our policy of continuing product improvement, Elkay reserves the right to change product specifications without notice.

This specification describes an Elkay product with design, quality and functional benefits to the user. When making a comparison of other producers' offerings, be certain these features are not overlooked.