

ELKAY® SPECIFICATIONS

Lustertone® Undermount Deep Double Bowl Sink Model ELUH272010R

GENERAL

Highest quality sink formed of #18 gauge, type 304 (18-8) nickel bearing stainless steel.

DESIGN FEATURES

Bowl Depth: 10" (large bowl); 5-9/16" (small bowl).

Finish: Exposed surfaces are polished to a lustrous highlighted satin finish.

Underside: Fully protected by heavy duty Sound Guard® undercoating to dampen sound and prevent condensation.

OTHER

Drain Opening: 3-1/2".

NOTE: All Elkay undermount sinks are designed to affix to the underside of any solid surface countertop.

This sink complies with ASME A112.19.3.

OPTIONAL ACCESSORIES

Rinsing Baskets: LKWRB1617SS (large bowl), LKWERBSS (large bowl), LKWRB715SS (small bowl).

Utensil Caddy for Rinsing Basket: LKWUCSS.

Bottom Grid: LKWOBG1617SS (large bowl).

Cutting Board: CB1713 (large bowl).

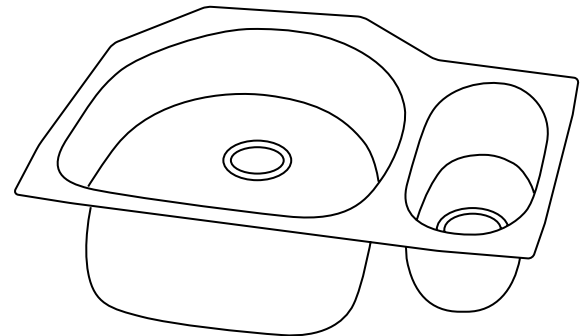
Colander: SC1407 (small bowl).

SINK DIMENSIONS (INCHES)*

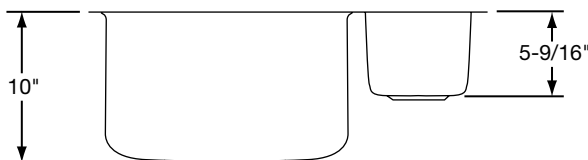
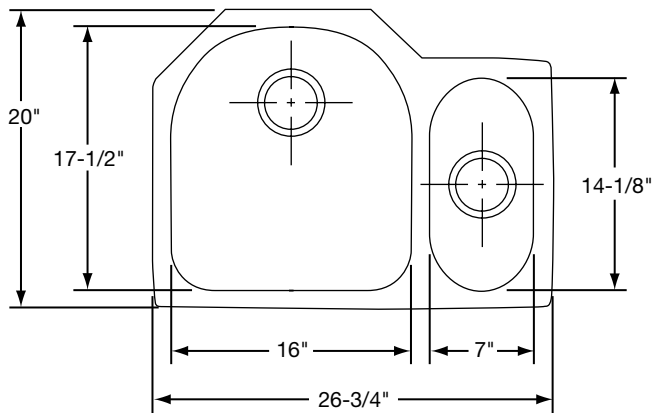
Model Number	Overall		Inside Left Bowl			Inside Right Bowl			Cutout in Countertop See Template**	Minimum Cabinet Size
	L	W	L	W	D	L	W	D		
ELUH272010R	26 ³ / ₄	20	16	17 ¹ / ₂	10	7	14 ¹ / ₈	5 ⁹ / ₁₆		30

*Length is left to right. Width is front to back.

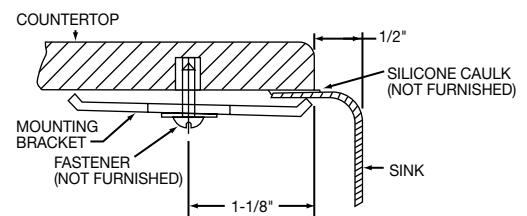
**Template and countertop mounting clips are packed with every sink.



Model ELUH272010R



Installation Profile of ELUH Models
The template provided with each ELUH sink provides the only type of installation recommended.



ALL DIMENSIONS IN INCHES, TO CONVERT TO MILLIMETERS MULTIPLY BY 25.4.

In keeping with our policy of continuing product improvement, Elkay reserves the right to change product specifications without notice.

This specification describes an Elkay product with design, quality and functional benefits to the user. When making a comparison of other producers' offerings, be certain these features are not overlooked.