

ELKAY[®]

SPECIFICATIONS

Avado™ Collection

Undermount Double Bowl Sink

Models EFRU3118 and EFRU311810

GENERAL

Highest quality sink fabricated of #16 gauge, type 304 (18-8) nickel bearing stainless steel.

DESIGN FEATURES

Bowl Depth: 8" (EFRU3118), 10" (EFRU311810).
 Coved Corners: 15mm (approximately 5/8").
 Finish: Exposed surfaces are polished to a bright satin finish.
 Underside: Fully protected by heavy duty Sound Guard[®] undercoating designed to prevent condensation and dampen sound.

OTHER

Drain Opening: 3-1/2".

NOTE: All Elkay undermount sinks are designed to attach to the underside of any solid surface countertop. These sinks comply with ASME A112.19.3.

OPTIONAL ACCESSORIES

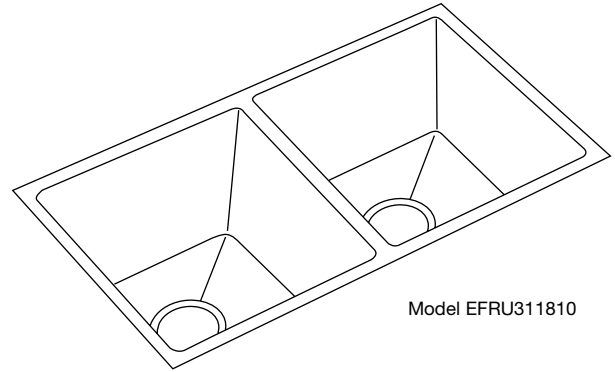
Rinsing Baskets: LKWRB1316SS, LKWERBSS.
 Utensil Caddy for Rinsing Basket: LKWUCSS.
 Bottom Grid: LKWOBG1316SS.

SINK DIMENSIONS (INCHES)*

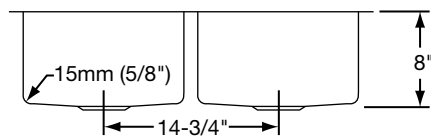
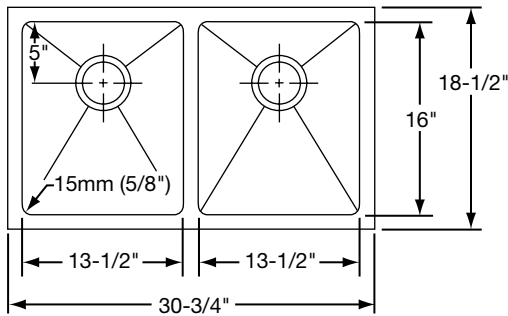
Model Number	Overall		Inside Bowl			Cutout in Countertop	Minimum Cabinet Size
	L	W	L	W	D		
EFRU3118	30 ³ / ₄	18 ¹ / ₂	13 ¹ / ₂	16	8	See Template**	36
EFRU311810	30 ³ / ₄	18 ¹ / ₂	13 ¹ / ₂	16	10		

*Length is left to right. Width is front to back.

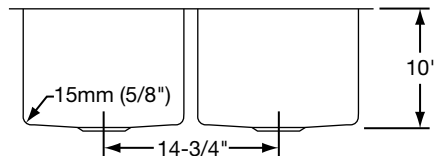
**Template and countertop mounting clips are packed with every sink.



Model EFRU311810

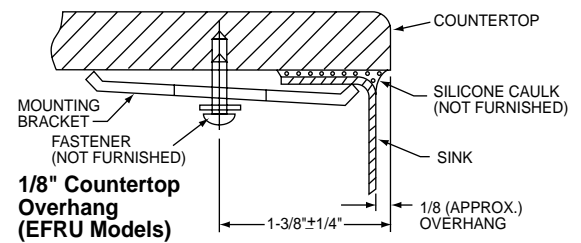


Model EFRU3118 Illustrated



Model EFRU311810 Illustrated

Installation Profile of EFRU Models
 The template provided with each EFRU sink provides the only type of installation recommended by Elkay.



ALL DIMENSIONS IN INCHES, TO CONVERT TO MILLIMETERS MULTIPLY BY 25.4.

In keeping with our policy of continuing product improvement, Elkay reserves the right to change product specifications without notice.

This specification describes an Elkay product with design, quality and functional benefits to the user. When making a comparison of other producers' offerings, be certain these features are not overlooked.