

ELKAY® SPECIFICATIONS

Sink Accessories Cutting Boards CB, CBP, CBR and CBS Series

GENERAL

CB Series - Made of hardwood.

CBP Series - Made of durable, high impact polymer.

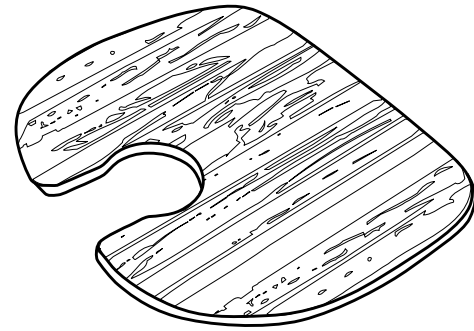
CBR Series - Reversible, two sided, features hardwood on one side and a durable, high impact polymer on the other side.

CBS Series - Made of hardwood with a stainless steel mesh removable strainer.

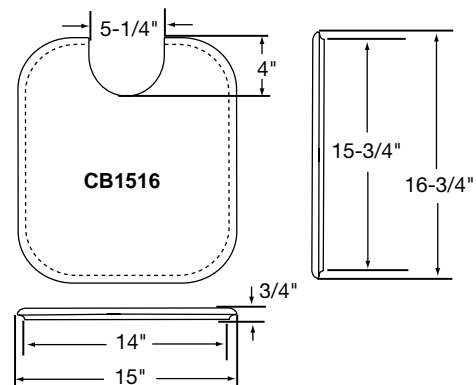
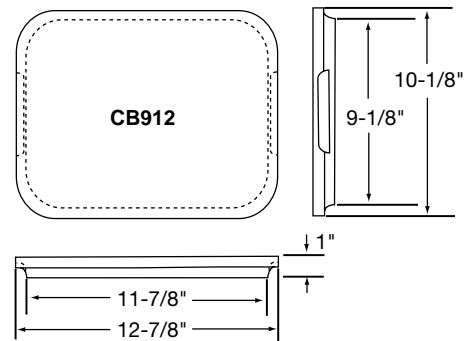
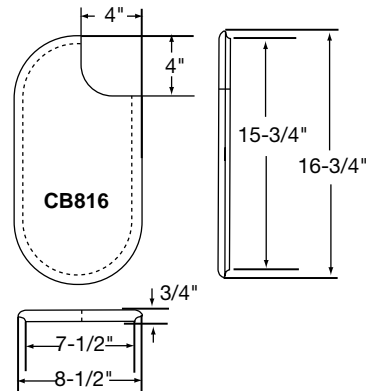
Elkay cutting boards are not dishwasher or microwave safe. Since most of these are designed to sit on the flange of the sink, they are not recommended for undermount sinks that have less than a 1/2" reveal.

MODELS

Model	Overall Dimensions	Fits Bowl Size
CB816	8-1/2" x 16-3/4" x 3/4"	7-1/2" x 15-3/4"
CB912	12-7/8" x 10-1/8" x 1"	12" x 9-1/4", 12" x 10" and 12" x 12"
CB1516	15" x 16-3/4" x 3/4"	14" x 15-3/4", 19" x 15-3/4", 21" x 15-3/4" and 28" x 15-3/4"
CB1613	16-3/4" x 13-1/2" x 1"	13-1/2" x 16" and 14" x 14"
CB1713	17" x 13-1/2" x 1"	13-1/2" x 16", 16" x 16", 16" x 17-1/2", 16" x 18", 16" x 19", 16" x 22" and 16" x 28"
CB1716	17-3/4" x 16" x 7/8"	Universal design - not designed to sit on the sink flange - may sit on counter or over any bowl up to and including 16" in width or length
CB2114	14-3/4" x 15" x 1"	20-3/8" x 14-3/16"
CB2213	21-13/16" x 19-1/4" x 3/4"	21" x 18-5/8"
CB2818	28-5/8" x 12-7/16" x 1"	27-3/4" x 18-1/2"
CB2919	28-1/16" x 14-15/16" x 1"	26-9/16" x 16-1/4" and 27-1/8" x 16-3/4"
CBP1116	11" x 16-1/2" x 1/2"	Designed to sit on the ribbed work area of 12-7/8" x 18"
CBP1319L/R	13-1/8" x 19" x 1/2"	Designed to rest flush with drop edge over the ribbed work area of 12-7/8" x 18"
CBR1316	11-1/4" x 14-1/2" x 1"	13-1/2" x 16" and 13-1/2" x 18"
CBR1418	11-1/4" x 15" x 1"	14" x 14" and 14" x 18"
CBS715	8-3/8" x 16-13/16" x 3/4"	7-1/2" x 15-3/4"
CBS1316	14-1/2" x 17" x 3/4"	13-1/2" x 16", 16" x 16", 16" x 18", 16" x 19", 16" x 22" and 16" x 28"
CBS1418	15" x 19" x 3/4"	14" x 18" and 20" x 18"



Model CB2213



Sink Accessories
Cutting Boards
CB, CBP, CBR and CBS Series

ELKAY®
SPECIFICATIONS

