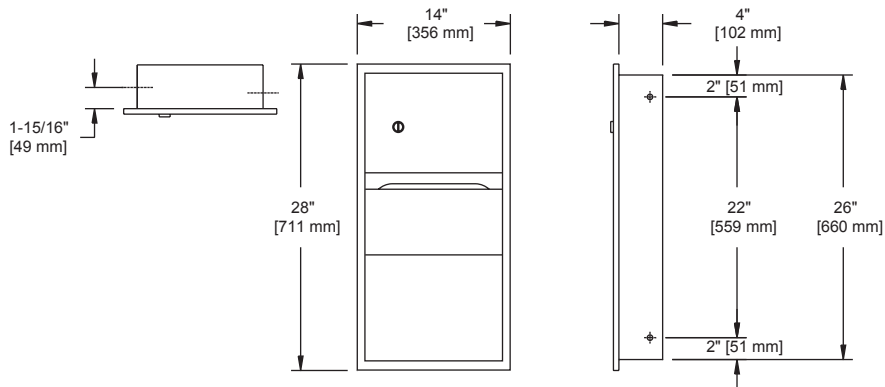


# TECHNICAL DATA

## Public Washroom

## 1982



### MATERIALS:

Unit is fabricated 22 gauge type 304 stainless steel. Stainless steel frame has 1/4" return. Door is mounted of full length stainless steel piano hinge and includes tumbler lock and key. All welded construction.

### INSTALLATION:

Cut wall opening 12-1/2" x 26-1/2" x 4" depth. Frame-in sides of opening. Install unit using 4 - #9 x 1-1/2" pan head zinc plated steel screws provided. Side sets of holes are 22" C-C and are positioned 1-15/16" from outside face of finished wall.

### SPECIFICATION:

Surface mounted paper towel dispenser and waste receptacle shall be model \_\_\_\_\_ (fill in model number) by Liberty Hardware Manufacturing Corporation.