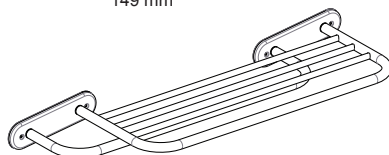
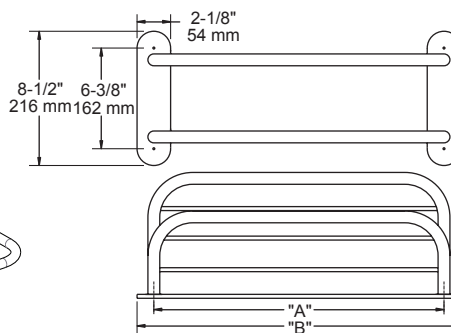
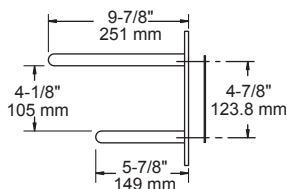


# TECHNICAL DATA

## Align Lock™ Towel Shelf

2780SSA1



**MATERIALS:**

Wall Flange - 18 Gauge Stamped Type 304 Stainless Steel  
 Shelf & Towel Bar Tubing - .028 (23 Gauge) 3/4" O.D. Type 304 Stainless Steel Tubing  
 Crossbars - .025 (23 Gauge) 3/8" O.D. Type 304 Stainless Steel Tubing  
 Wall Plate - Steel x 13 Gauge, Nickel Plated

**INSTALLATION:**

Remove folded shelf assemble from package. Rotate assembly until shelf, bar and wall flanges are perpendicular to one another and clips click into position. Mount to wall with supplied fasteners.

**OPTIONAL FASTENER INFORMATION:**

Wood blocking is preferable behind all wall surfaces. If wood blocking is not available, the following fasteners are suggested:  
 Tile/Masonry - Plastic or Lead Anchors, Plaster/Drywall - Toggle Bolts.

**SPECIFICATION:**

Surface mounted align lock towel shelf shall be model \_\_\_\_\_  
 (fill in model number) by Liberty Hardware Manufacturing Corporation.

LENGTH	24" (610 mm)
DIM "A"	24" (610 mm)
DIM "B"	26-1/8" (664 mm)