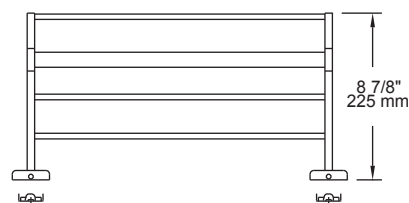
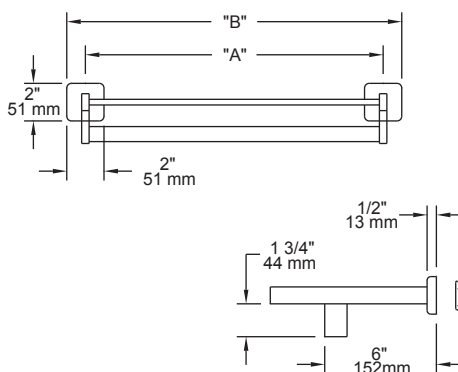


TECHNICAL DATA

Towel Shelf

CENTURY TOWEL SHELF WITH BAR



MATERIALS:

Inner Wall Flange - 16 gauge type 304 stainless steel
 Cover Wall Flange - 22 gauge type 304 stainless steel
 Projecting Post - 22 gauge type 304 stainless steel
 Cross Bar - 5/16" square .015 (28 gauge) type 430 stainless steel
 Towel Bar - 5/16" square .015 (28 gauge) type 430 stainless steel
 Towel Bar Post - 22 gauge type 304 stainless steel

LENGTH	18" (457 mm)	24" (610 mm)
DIM "A"	17-3/4" (451 mm)	23-3/4" (603 mm)
DIM "B"	19-3/4" (502 mm)	25-3/4" (654 mm)

All components welded construction with concealed screw attachment on 16 gauge stainless steel wall plate.

INSTALLATION:

Mount wall plates at 17 3/4" C-C for 18" shelf, 23 3/4" C-C for 24" shelf on wall surface in vertical position with 4- #8 x 1 1/4" roundhead zinc plated steel screws provided, or 4- #6/32 x 2" zinc plated steel toggle bolts provided. Slip pre-assembled towel shelf with bar over wall plates and tighten set screws until secure. Wood blocking is preferable behind all wall surfaces. If wood blocking is not available, the following optional fasteners are suggested:

Tile/Masonry - Plastic or lead anchors
 Plaster/Drywall - Toggle bolts

SPECIFICATION:

Surface mounted towel shelf with bar shall be model _____
 (fill in model number) by Liberty Hardware Manufacturing Corporation.