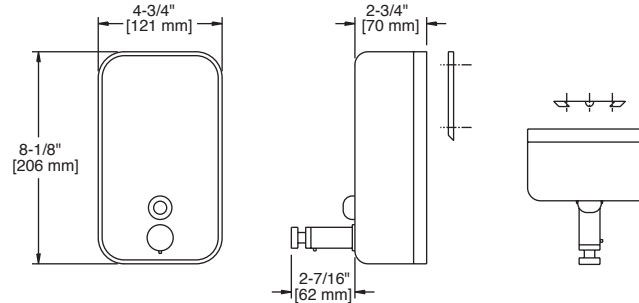


Public Washroom

1920, 1921



MATERIALS: Unit is fabricated 20 gauge type 304 satin stainless steel. Body dispenser is heliarc welded to back panel. Valve is chrome plated brass. View level indicator is clear plastic.

INSTALLATION: Mount wall plate (flat side against wall; 2-11/16" side up) on wall surface with 3 - #7 x 3/4" pan head zinc plated steel screws provided. Unlock and remove filler cap. Back off machine screw which goes through back panel of unit. Slip dispenser over wall plate and tighten machine screw until secure.

OPTIONAL FASTENER INFORMATION: Wood blocking is preferable behind all wall surfaces. If wood blocking is not available, the following fasteners are suggested: Tile/Masonry - Plastic or Lead Anchors, Plaster/Drywall - Toggle Bolts.

SPECIFICATION: Surface mounted soap dispenser shall be model _____ (fill in model number) by Liberty Hardware Manufacturing Corporation.

FranklinBrass®
A Liberty Hardware Brand