

# TECHNICAL DATA

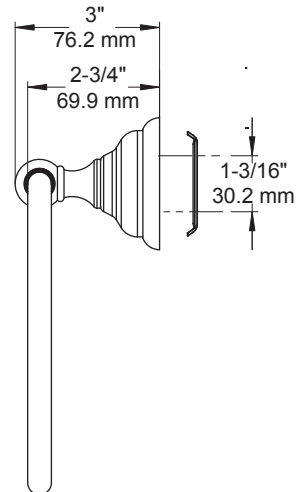
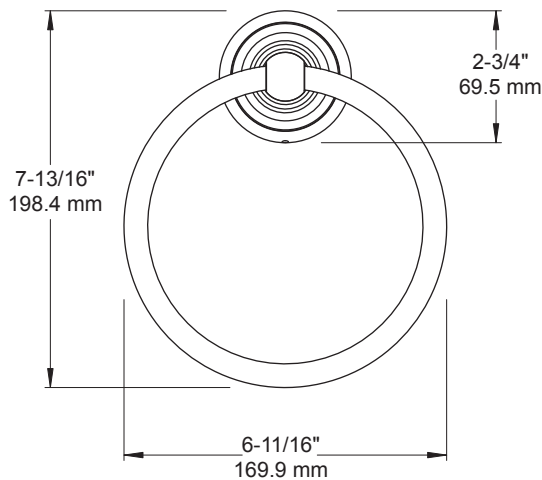
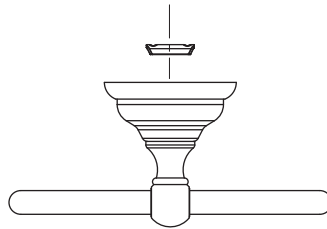
**LIBERTY HARDWARE<sup>®</sup>**  
MANUFACTURING CORPORATION

**A Masco Company**

140 Business Park Drive • Winston-Salem, NC 27107  
800.542.3789 • T 336.769.4077 • F 336.769.1839  
www.libertyhardware.com

## BELLINI

## TOWEL RING



**MATERIALS:**

- Post - Zinc Rod
- Escutcheon- Stamping Zinc with injection molded ABS plastic cover
- Ring - Aluminum Tube 1/2" OD., 25 Gauge, Plated
- Wall plate - Steel x 14 gauge nickel plated.

**INSTALLATION:**

- Mount wall plate on wall surface with 2 #8 x 1-1/4" roundhead zinc plated steel screws provided. Slip towel ring

**OPTIONAL FASTENER INFORMATION:**

- Wood blocking is preferable behind all wall surfaces. If wood blocking is not available, the following
- fasteners are suggested: Tile/Masonry - Plastic Anchors , Plaster/Drywall -Toggle Bolts.

**SPECIFICATION:**

- Surface mounted towel ring shall be model \_\_\_\_\_(fill in model number)

by Liberty Hardware Manufacturing Corporation.