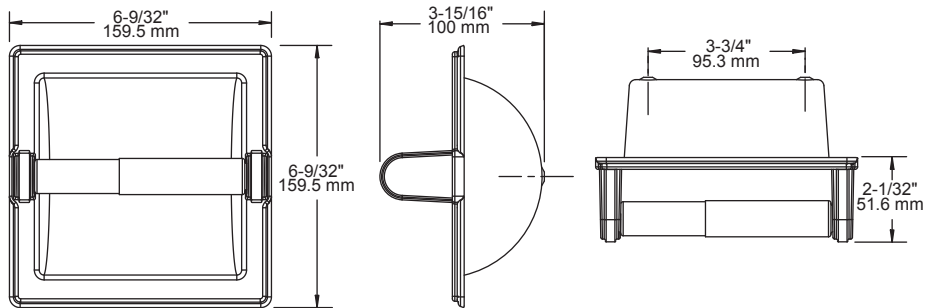


TECHNICAL DATA

Recessed Fixtures

RECESSED PAPER HOLDER - 9097



MATERIALS: Recessed Item - Stamping Brass, 20 Gauge
Post - Zinc Die Cast
Toilet Paper Holder - Stamping Brass

INSTALLATION: Cut a square hole in wall 5-1/4" x 5-1/4". Fasten with wood screws provided into the wood backing or into studs.

OPTIONAL FASTENER INFORMATION: Wood blocking is preferable behind all wall surfaces. If wood blocking is not available, the following fasteners are suggested: Tile/Masonry - Plastic or Lead Anchors, Plaster/Drywall - Toggle Bolts.

SPECIFICATION: Recessed paper holder shall be model _____
(fill in model number) by Liberty Hardware® Manufacturing Corporation.