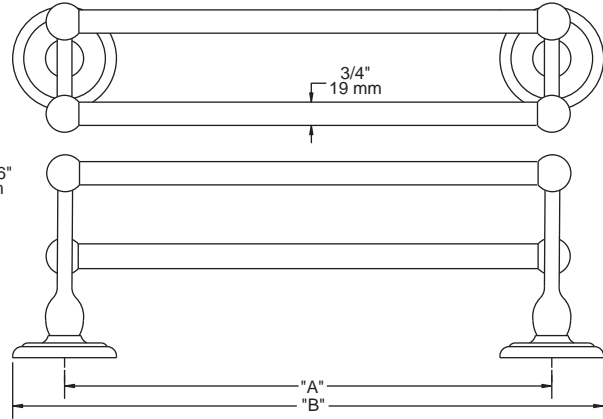
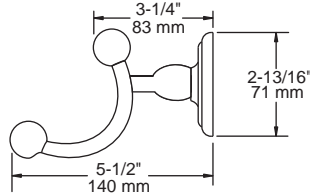


# Jamestown® - Easy Clip™

18 in., 24 in. & 30 in. DOUBLE TOWEL BAR



**MATERIALS:**

Posts - Zinc Die Cast  
 18", 24" & 30" Bars - Steel  
 Wall Plates - Steel, Zinc Plated

**INSTALLATION:**

Mount wall plate bracket(s) per installation instructions with supplied fasteners. Slip product over wall plate(s) and slide down to secure.

**OPTIONAL FASTENER INFORMATION:**

Wood blocking is preferable behind all wall surfaces. If wood blocking is not available, the following fasteners are suggested: Tile/Masonry - Plastic or Lead Anchors, Plaster/Drywall - Toggle Bolts.

**SPECIFICATION:**

Surface mounted double towel bar shall be model \_\_\_\_\_  
 (fill in model number) by Liberty Hardware Manufacturing Corporation.

LENGTH	18" (457 mm)	24" (610 mm)	30" (762 mm)
DIM "A"	18-1/4" (464 mm)	24-1/4" (616 mm)	30-1/4" (768 mm)
DIM "B"	21-1/16" (535 mm)	27-1/16" (687 mm)	33-1/16" (840 mm)

**FranklinBrass®**  
 A Liberty Hardware Brand

Liberty Hardware Manufacturing Corporation • 140 Business Park Drive • Winston-Salem, NC 27107 • 800.542.3789 • www.libertyhardware.com

©2010 LHMC, A Masco Company