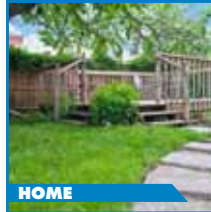




SECURITY CAMERA



HOME



BUSINESS



RETAIL



COMMERCIAL

VIEW THE NIGHT - AS CLEAR AS DAY.

- ▶ FLEXIBLE VIEWING ANGLE
- ▶ BEST-IN-CLASS NIGHT VISION
- ▶ OUTSTANDING IMAGE QUALITY

CUSTOMIZE THE VIEWING ANGLE

View from a wide angle or zoom in closely with easy-access manual focus

UNSURPASSED NIGHT VISION

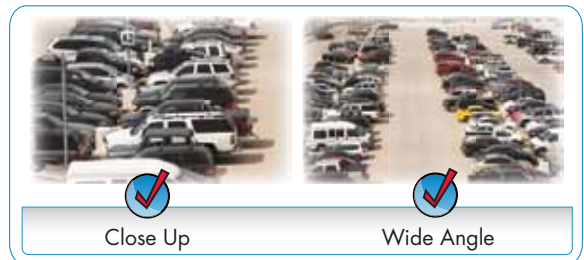
ClearNight imaging technology ensures sharp night vision and recording efficiency

HIGH PERFORMANCE VIDEO

With Super+ Resolution (700 TVL) powered by the latest Sony EXview™ II image sensor for incredibly detailed images

FEATURES

- Advanced Sony EXview™ II image sensor
- Video image processor delivers up to 700TV lines of resolution
- 4-9mm manual zoom lens for flexible viewing angle (36-73° diagonal)
- ClearNight imaging technology ensures clear night vision and improves recording efficiency up to 30%
- Night Vision up to 95ft (29 m) away in total darkness¹
- Split glass design minimizes IR reflection
- Weatherproof (IP66 rated) aluminum housing for indoor/outdoor installations²



FEATURES

700 TVL

95ft NIGHT VISION

VARIFOCAL LENS

INDOOR/OUTDOOR

RESOLUTION

Standard Resolution

RESOLUTION

Super+ Resolution

NIGHT VISION

Typical

NIGHT VISION

Low light viewing - stays in color longer*

VANTAGE

LDC7081

www.lorexttechnology.com

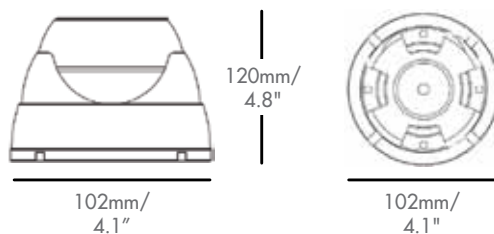
PRODUCT INFORMATION

LDC7081	7-78597-70810-3
Package Weight:	1.4 kg/3.08 lbs
Package Dimensions: (W x D x H)	216 x 171mm x 104.5mm/ 8.5 x 6.7 x 4.1"
Package Cube:	0.14 Cbf/0.00384 Cbm
Contents:	1x Camera 1x 60ft BNC/Power extension cable 1x BNC female/RCA male adapter 1x 12V DC power adapter 2 x Rubber weatherproofing plugs

SPECIFICATIONS

Image Sensor:	1/3" Sony Exview HAD™ CCD II
Video Format:	NTSC
Effective Pixels:	H: 976 V: 494
Resolution :	Up to 700 TV Lines
Scan System:	2:1 Interlace
Sync System:	Internal
S/N Ratio:	+50dB (AGC Off)
Iris:	AES
AES Shutter Speed:	1/60 ~ 1/100,000 sec.
Min. Illumination:	0.15 Lux without IR LED 0 Lux with IR LED
Video Output:	Composite 1.0Vpp @ 75ohm
Lens/Lens Type:	4-9mm F1.4/Varifocal
FOV (Diagonal):	36-73°
Termination:	BNC Type
IR LED Qty./Type:	28 pieces/850nm
Night Vision Range*:	95ft/29m
Power Requirement:	12V DC ±10%
Power Consumption:	Max. 400mA (w/IR)
Operating Temp. Range:	14° ~ 122°F/-10° ~ 50°C
Operating Humidity Range:	< 90% RH
Environmental Rating**:	IP66
Weight:	1.6lbs/0.7kg

PRODUCT DIMENSIONS

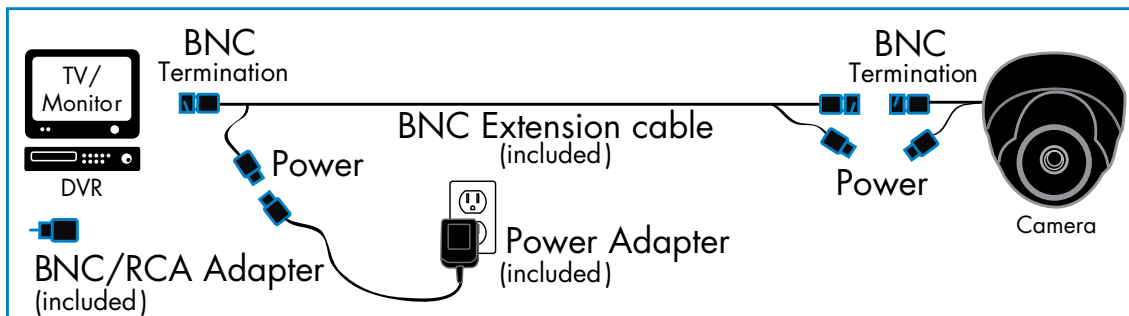


DISCLAIMERS

1. IR illumination range under ideal conditions. Objects at or beyond this range may be partially or completely obscured, depending on the camera application.
2. Not intended for submersion in water. Installation in a sheltered location recommended.

* If light level is too low, camera will switch over to B/W for increased light sensitivity.

INSTALLATION DIAGRAM



VANTAGE

LDC7081

www.lorexttechnology.com

Lorex Technology Inc.

250 Royal Crest Court, Markham,
Ontario L3R 3S1
Canada.

901 Elkridge Landing Road, Suite 100
Linthicum, Maryland 21090
USA.

©2012 Lorex Technology Inc.
As our product is subject to continuous improvement, Lorex Technology & subsidiaries reserve the right to modify product design, specifications & prices without notice and without incurring any obligation. E&OE.