



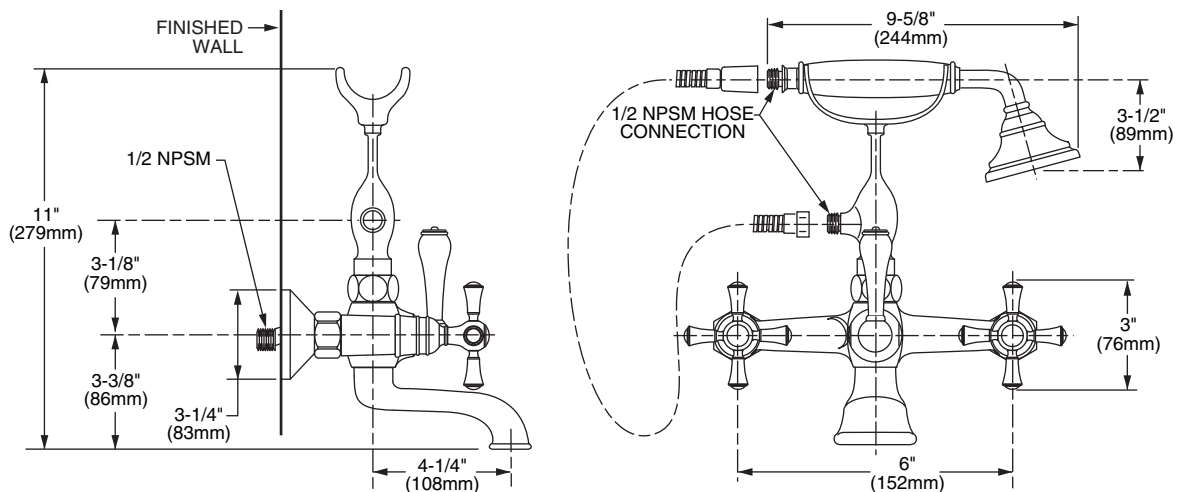
Features:

- Wall mounted tub filler with hand shower and cradle
- Cast brass construction
- Ceramic disk valve cartridge
- Integral diverter
- Cross handle only

	Handle Type	Product Number
Wall Mount Tub Filler	Cross	842/028

	Product Number
Deckmount Adapters	857/166

Available Finishes:	Finish Code
Polished Chrome	100
Old Bronze	105
Brushed Nickel	144
Platinum Nickel	150
Antique Nickel	444



IMPORTANT: These measurements are subject to change or cancellation. No responsibility is assumed for use of superseded or voided pages.

CODES & STANDARDS

These products meet and exceed the following codes and standards:

ASME A112.18.1

CSA B125

