

JADO

Classic/Victorian/Colonial Pressure Balance Tub & Shower Set



Features:

- Cast brass spout and valves
- Ceramic disc valve cartridge
- Adjustable hot limit safety stop
- Pressure Balance cartridge maintains constant output temperature in response to changes in relative hot and cold supply pressures
- Integral diverter
- Multi-functional showerhead
- Available in 5 Handle Options

Pictured: 853/400 Tub & Shower Set with Cross Handle

Showerhead Maximum Flow Rate: 2.5 GPM (9.5L/min)

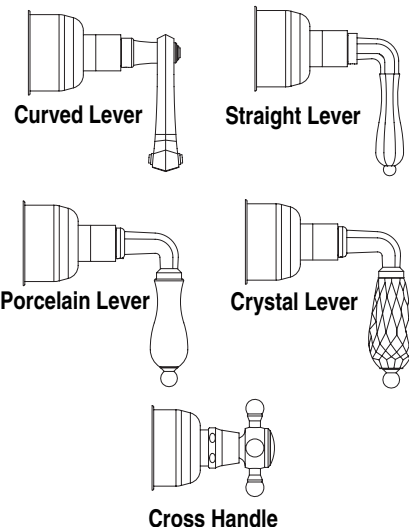
Kit Options	Handle Type	Product Number
Tub & Shower Set	Cross	853/400
Tub & Shower Set	Straight Lever	853/401
Tub & Shower Set	Curved Lever	853/402
Tub & Shower Set	Porcelain Lever	853/403
Tub & Shower Set	Crystal Lever	853/404
PB Diverter Valve Set	Cross	853/140
PB Diverter Valve Set	Straight Lever	853/141
PB Diverter Valve Set	Curved Lever	853/142
PB Diverter Valve Set	Porcelain Lever	853/143
PB Diverter Valve Set	Crystal Lever	853/144

Available Finishes:	Finish Code
Polished Chrome	100
Old Bronze	105
UltraBrass	113
Brushed Nickel	144
Platinum Nickel	150
Diamond	167
Antique Nickel	444

Porcelain Finishes:	Finish Code
Brushed Nickel/White Porcelain	124
Polished Chrome/White Porcelain	128
Platinum Nickel/White Porcelain	152

Rough & Trim Options	Handle Type	Product Number
Tub & Shower Set Trim Only*	Cross	853/495
Tub & Shower Set Trim Only*	Straight Lever	853/496
Tub & Shower Set Trim Only*	Curved Lever	853/497
Tub & Shower Set Trim Only*	Porcelain Lever	853/498
Tub & Shower Set Trim Only*	Crystal Lever	853/499
PB Diverter Valve Set Trim Only**	Cross	853/545
PB Diverter Valve Set Trim Only**	Straight Lever	853/546
PB Diverter Valve Set Trim Only**	Curved Lever	853/547
PB Diverter Valve Set Trim Only**	Porcelain Lever	853/548
PB Diverter Valve Set Trim Only**	Crystal Lever	853/549
Shower Head Only		862/082
Tub Spout Only		894/908
Rough Only		899/261/191

Handle Options:



* Includes Pressure Balance Diverter Valve Trim, Shower Head & Tub Spout

**Pressure Balance Diverter Valve Trim Only

ROUGH-IN DIAGRAM SHOWN ON REVERSE SIDE

CODES & STANDARDS

These products meet and exceed the following codes and standards:

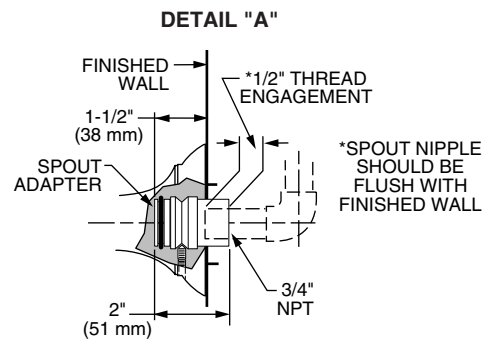
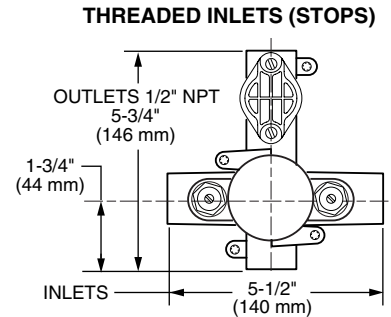
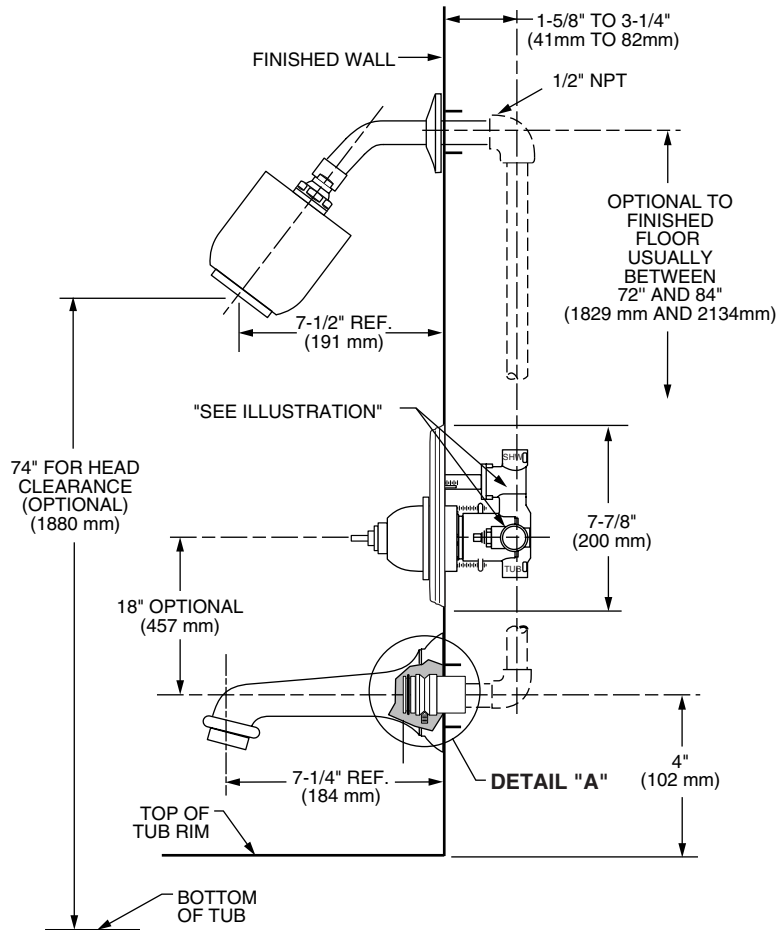
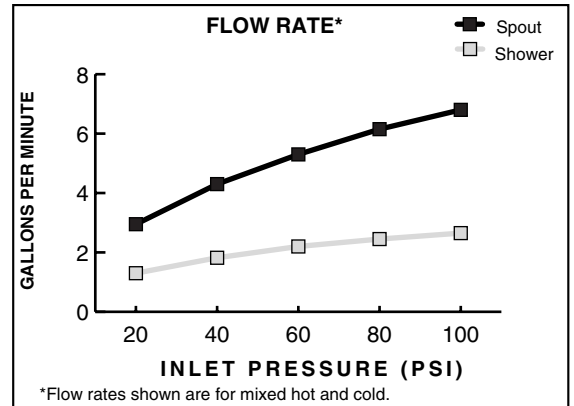
ASME A112.18.1

CSA B125

ASSE1016



Meets the American Disabilities Act Guidelines and **ANSI A117.1** Requirements for the physically challenged.



IMPORTANT: These measurements are subject to change or cancellation. No responsibility is assumed for use of superseded or voided pages.