



Features:

- Cast brass spout and valves
- Ceramic disc valve cartridge
- Adjustable hot limit safety stop
- Pressure Balance cartridge maintains constant output temperature in response to changes in relative hot and cold supply pressures
- Integral diverter
- Multi-functional showerhead

Pictured: 816/400 Tub & Shower Set

Showerhead Maximum Flow Rate: 2.5 GPM (9.5L/min)

Kit Options	Handle Type	Product Number	
Tub & Shower Set	Lever	816/400	♿
PB Diverter Valve Set	Lever	816/140	♿

Rough & Trim Options	Handle Type	Product Number	
Tub & Shower Set Trim Only*	Lever	816/495	♿
PB Diverter Valve Set Trim Only**	Lever	816/545	♿
Shower Head Only		816/082	
Tub Spout Only		816/018	
Rough Only		899/261/191	

Available Finishes:	Finish Code
Old Bronze	105
UltraBrass	113
Brushed Nickel	144
Platinum Nickel	150
Diamond (PVD)	167

* Includes Pressure Balance Diverter Valve Trim, Shower Head & Tub Spout

** Pressure Balance Diverter Valve Trim Only

ROUGH-IN DIAGRAM SHOWN ON REVERSE SIDE


CODES & STANDARDS

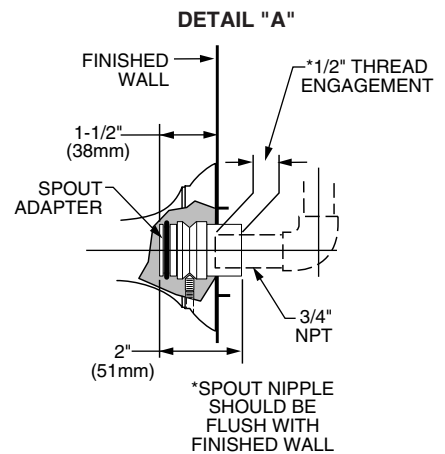
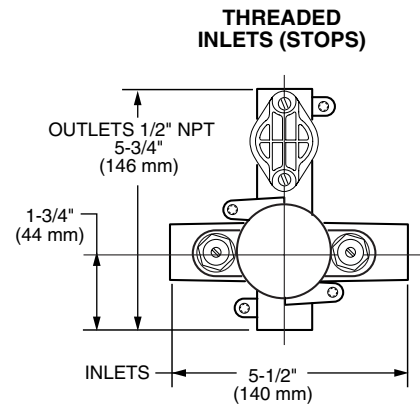
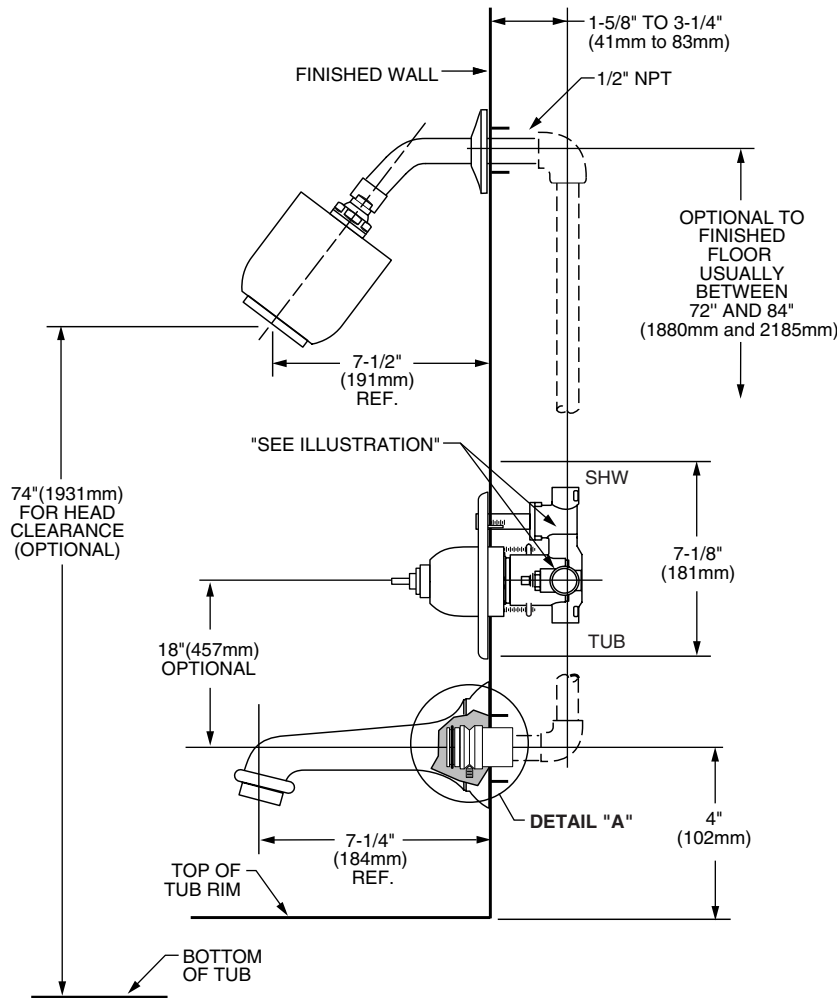
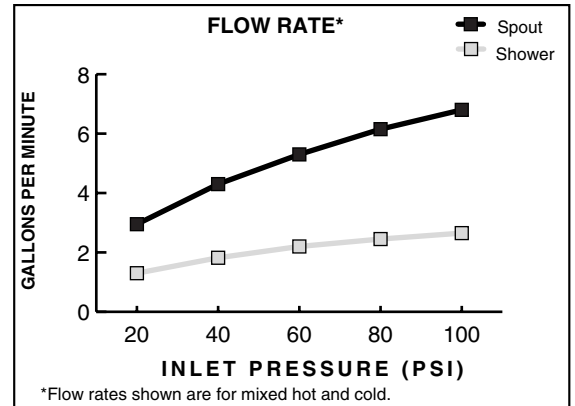
These products meet and exceed the following codes and standards:

ASME A112.18.1

CSA B125

ASSE 1016

 Meets the American Disabilities Act Guidelines and **ANSI A117.1** Requirements for the physically challenged.



IMPORTANT: These measurements are subject to change or cancellation. No responsibility is assumed for use of superseded or voided pages.