



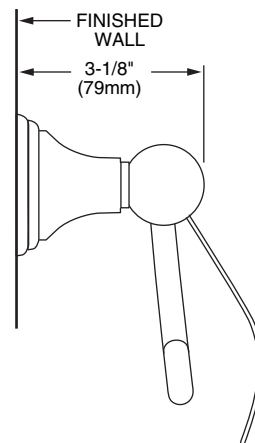
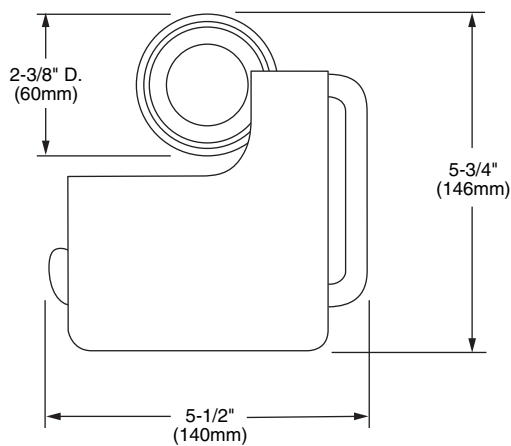
### Features:

- Solid Brass Construction
- Concealed Mounting

**Pictured:** 508/145 Hooded Tissue Holder

	Product Number
Tissue Holder	508/140
Hooded Tissue Holder	508/145

Available Finishes:	Finish Code
Polished Chrome	100
Old Bronze	105
Brushed Nickel	144
Platinum Nickel	150
Diamond (PVD)	167
Antique Nickel	444



**IMPORTANT:** These measurements are subject to change or cancellation. No responsibility is assumed for use of superseded or voided pages.