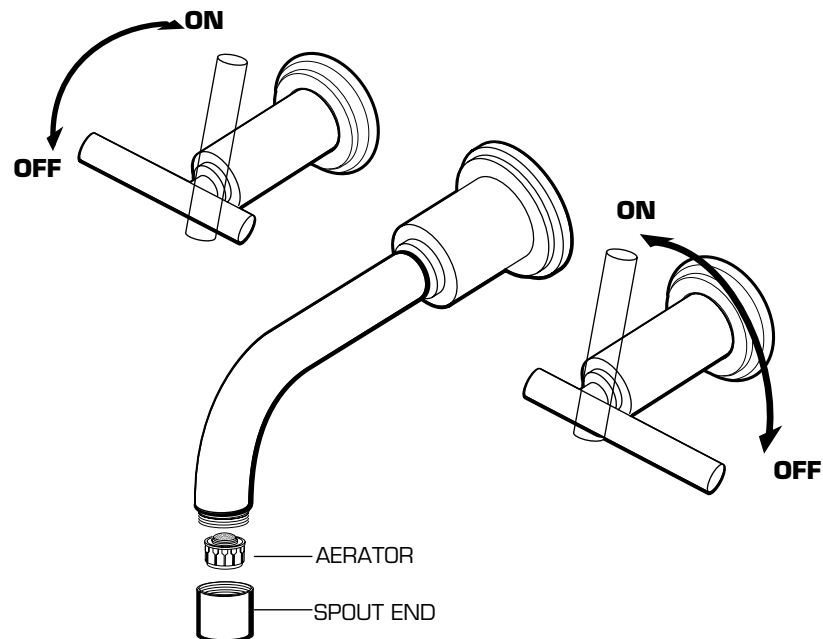


5 TEST INSTALLED FAUCET

- Unthread SPOUT END and remove AERATOR.
- With HANDLES in OFF position, turn on WATER SUPPLIES and check for leaks.
- Operate both HANDLES to flush water lines thoroughly.
- Turn HANDLES off and replace AERATOR.



NOTE :
Cross Handles
turn same direction
Counter clockwise.

6 HELPFUL HINTS FOR CLEANING AND MAINTENANCE

The solid brass product you have just purchased has been designed to give you years of beauty and service. It is important to bring to your attention proper care and maintenance procedures, which will ensure its lasting beauty.

- First and foremost, it is important (as it is with any fine piece of jewelry or furniture) that the product be wiped clean and dry with a soft damp cloth after every use.
- Second, under no circumstances should an abrasive cleaner or combination cleaner/polish be used on JADO products. The abrasive nature of such products will eventually destroy the finish and void the warranty.
- In the event of stubborn blemishes shown on the finish, we recommend use of Windex window cleaner with a soft cloth, but we do not recommend it be used on an everyday basis.

TO THE PURCHASER OF JADO BRASS PRODUCTS

Attention installer:
Please leave This Pamphlet for The Owner

JADO FAUCET LIFETIME FUNCTION AND FINISH LIMITED WARRANTY

JADO Bathroom & Hardware Manufacturing Corp. provides the following warranties only to the first residential owner of our products.

FINISHES

JADO warrants this product to be free from defects in materials or workmanship for as long as the original consumer purchaser owns their home.

JADO will provide, free of charge, at its sole option, replacement part(s) or product (or if no longer available, a comparable product) to replace those which have proven defective in materials or workmanship.

Proof of purchase (original sales receipt) from the original consumer purchaser must be made available to JADO for all limited warranty claims. This limited warranty is non transferable. It does not apply in the event of product damage due to the use of other than genuine JADO replacement parts, installation error, abuse, misuse, or improper care and maintenance (whether performed by a plumber, contractor, service provider or member of the purchaser's household). The limited warranty excludes damage due to aggressive air or water conditions, or harsh or abrasive cleaners and/or materials. This limited warranty excludes all industrial, commercial and business usage, whose purchasers are hereby extended a two year limited warranty (with the exception of solenoid valves and other electronic components which carry a one year limited warranty) applying to all other terms of this limited warranty except duration. This limited warranty does not cover labor charges incurred and/or damages sustained in installation, repair or replacement, nor incidental or consequential damages, all of which are expressly disclaimed. This limited warranty is applicable only to JADO faucets manufactured after June 1, 1996 and installed in the United States and/or Canada.

This limited warranty gives the original consumer purchaser of an JADO faucet specific legal rights which may vary from state to state or from province to province. This limited warranty does not cover any liability for consequential or incidental damages, all of which are hereby expressly disclaimed, or the extension beyond the duration of this limited warranty of any implied limited warranties, including those of merchantability or fitness for an intended purpose. In some states or provinces the exclusion or limitation of incidental or consequential damages is not allowed, so those exclusions may not apply to you.

POLISHED BRASS AND CUSTOM FINISH WARRANTY: A 1 YEAR LIMITED FINISH WARRANTY from date of purchase is provided to the first residential owner against defects in materials and workmanship. Due to the ever-changing finish of Patina products, the finish warranty is excluded. Warranty shall not include problems related to the installation of the product.

MECHANICS

MECHANICAL WARRANTY: A LIFETIME LIMITED WARRANTY is provided to the first residential owner on parts to be free from failure related to defects in materials and workmanship but not installation.

CONDITIONS TO WARRANTIES

JADO Bathroom & Hardware Manufacturing Corp. places the following conditions on its finish and mechanical warranties to the first residential owner only. JADO finish and mechanical warranties are limited to products correctly installed and used in a residential environment. JADO warranties will not assume liability for damage due to abuse, mishandling, incorrect installation, improper maintenance, or deterioration due to normal use.

JADO will not be liable for labor or other costs relating to the sale, installation, or replacement of their products.

In the event of a defect in any JADO product covered by this warranty, the product must be returned to the dealer where originally purchased along with proof of purchase.

JADO's obligation under the warranty shall be limited to the repair or exchange of any product which has been determined by JADO to be defective after appropriate examination.

NOTICE: JADO products conform to industry requirements of water conservation under the ASTM / ANSI A112.18.1M-1994 plumbing code. Lavatory, bidet, wet bar and kitchen faucet sets have a maximum flow rate of 2.2GPM. Shower heads, hand showers and body sprays have a maximum flow rate of 2.5GPM.

The state of California has mandated under Proposition #65 that manufactures of products, including faucets which come into contact with potable water, must warn the consumer if the product contains materials listed by the state as a carcinogen or reproductive toxin. Lead, which is contained in all brass faucets in limited amounts appears on the State's list.

Preliminary industry tests have indicated that users of faucets made from brass face no significant danger, however, California Proposition #65 requires that we provide you with the following notice:

Warning: This product contains an element known to the State of California to cause cancer or reproductive harm.

JADO BATHROOM AND HARDWARE MFG. CORP.
7845 East Paradise Lane
Scottsdale, AZ 85260

109142A

JADO

Products

New Haven

**Product Numbers
Rough and Trim**

826/431/...

826/331/...

Trim

826/175/...

826/075/...

Valve Body

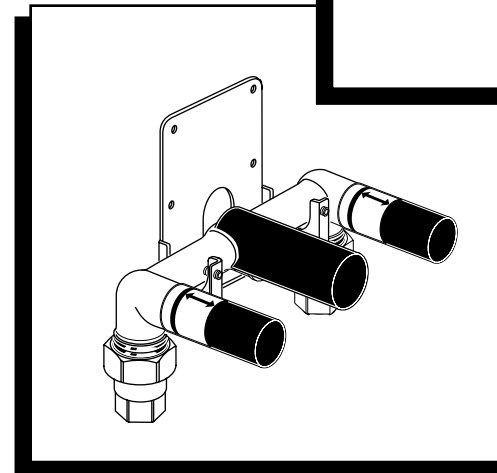
899/997/191

899/999/191

Wall Mount Lavatory Faucet Installation Instructions

To ensure that your installation proceeds smoothly--please read these instructions carefully before you begin.

Luxury Faucets and Accessories

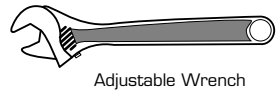


JADO USA
7845 East Paradise Lane
Scottsdale, AZ 85260
Phone: (800) 227-2734
Fax: (800) 552-JADO(5236)
www.jadousa.com

©JADO USA 2003

109142A

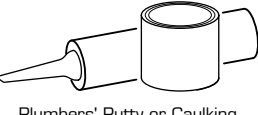
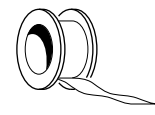
TOOLS REQUIRED



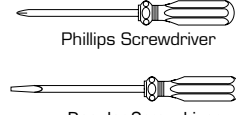
Adjustable Wrench



Channel Locks

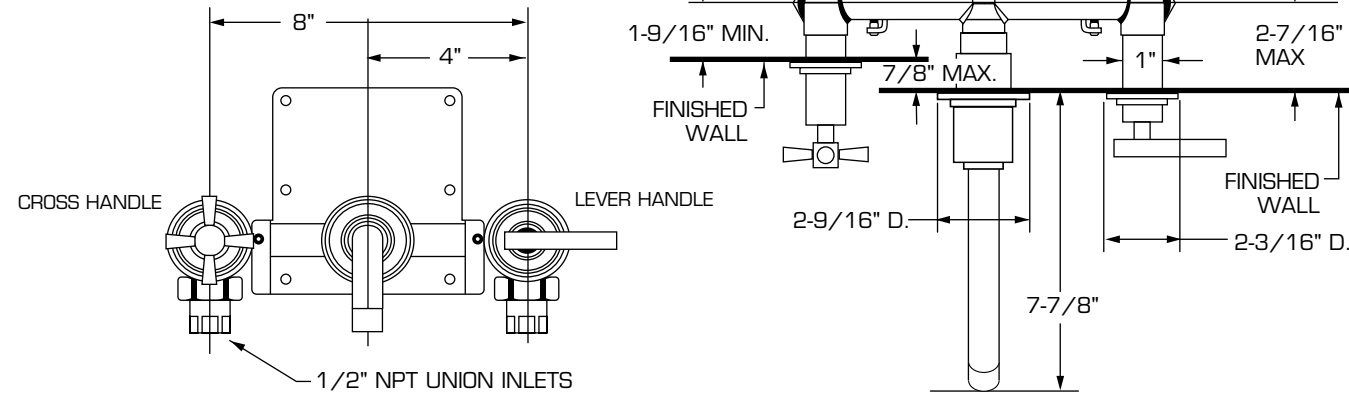


Plumbers' Putty or Caulking



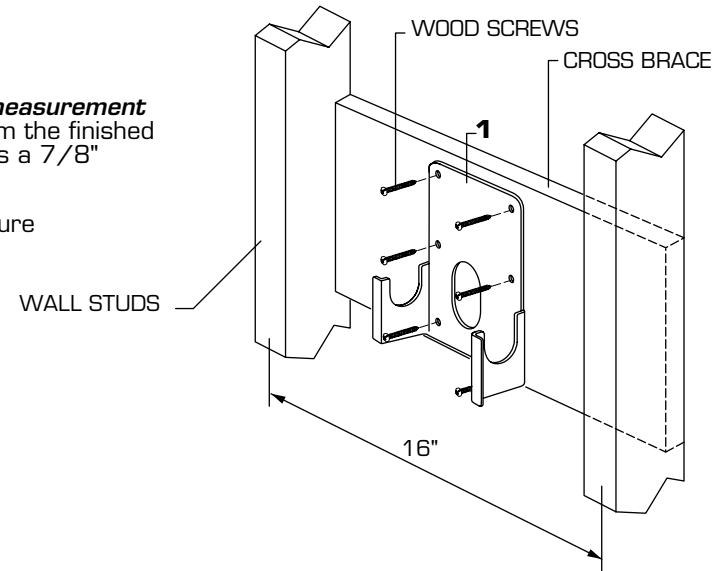
Regular Screwdriver

ROUGHING-IN DIMENSIONS



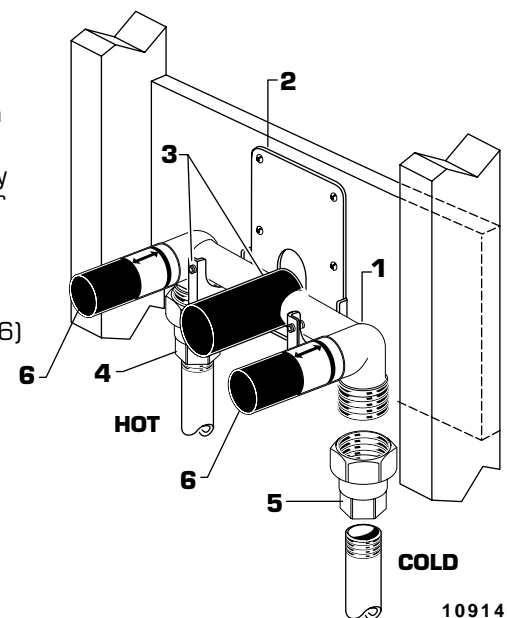
1 INSTALL WALL BRACKET

- Determine where the finished wall location will be. **This measurement is very important!** Note: The rough-in measurement from the finished wall is; 1-9/16" minimum and 2-7/16" maximum. This is a 7/8" tolerance. See rough-in illustration above.
- Secure WALL BRACKET (1) to cross brace of wall structure at required height using six wood screws.



2 INSTALL VALVE BODY

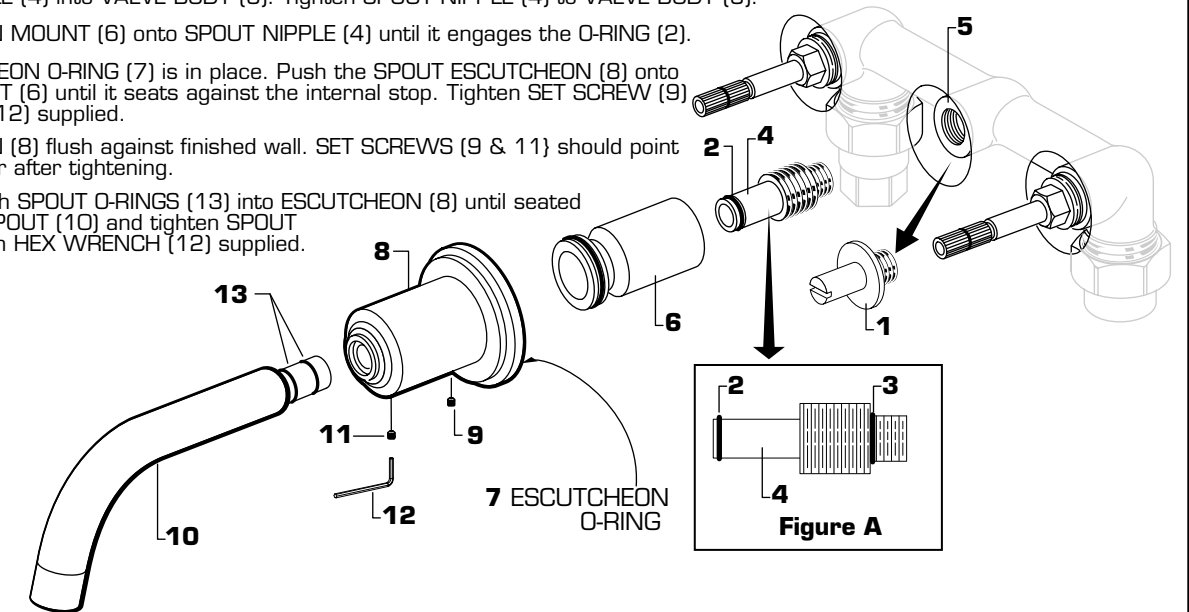
- Mount VALVE BODY (1) to WALL BRACKET (2) as shown. Level and tighten SET SCREWS (3) to secure VALVE BODY (1) to WALL BRACKET (2).
- Connect HOT water supply to LEFT INLET UNION (4) and COLD water supply to RIGHT INLET UNION (5). Pipe connections are 1/2" NPT. Use sealant or Teflon tape on pipe connections. **Do not solder directly to valve body.**
- With valves closed open supply lines and check for leaks. Remove PLASTER GUARDS (6) and open both valves and check for leaks.
- Close both valves and turn off water supplies. Replace PLASTER GUARDS (6) and finish wall construction.



109142A

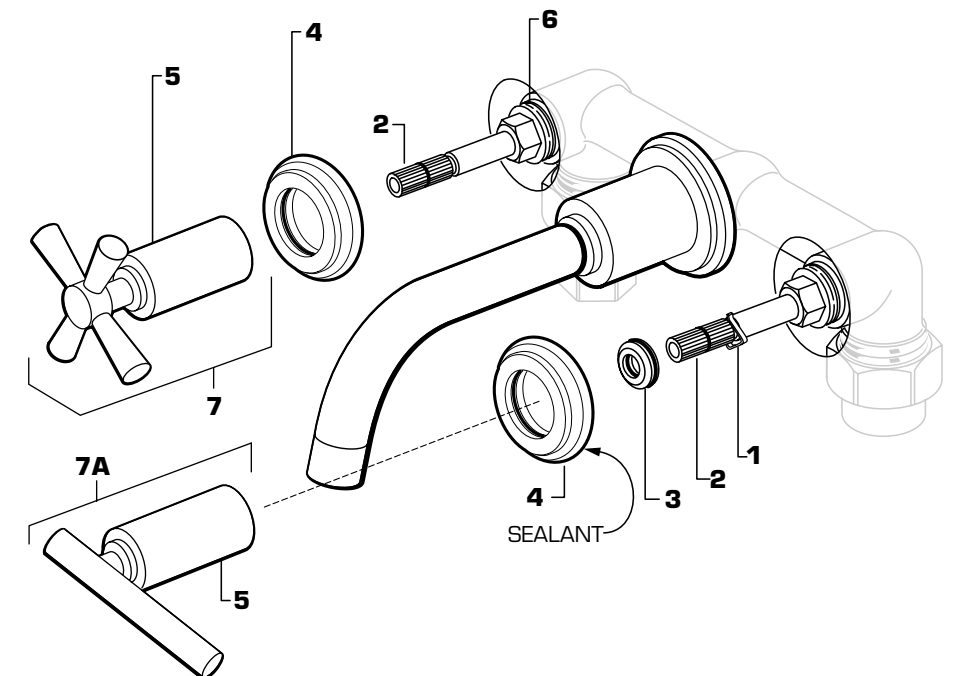
3 INSTALL WALL SPOUT

- Remove PLASTER GUARDS and unthread ROUGH-IN NIPPLE (1).
- Inspect that SPOUT NIPPLE O-RINGS (2 & 3) are seated in the grooves of SPOUT NIPPLE (4). See Figure A.
- Thread SPOUT NIPPLE (4) into VALVE BODY (5). Tighten SPOUT NIPPLE (4) to VALVE BODY (5).
- Thread ESCUTCHEON MOUNT (6) onto SPOUT NIPPLE (4) until it engages the O-RING (2).
- Make sure ESCUTCHEON O-RING (7) is in place. Push the SPOUT ESCUTCHEON (8) onto ESCUTCHEON MOUNT (6) until it seats against the internal stop. Tighten SET SCREW (9) with HEX WRENCH (12) supplied.
- Thread ESCUTCHEON (8) flush against finished wall. SET SCREWS (9 & 11) should point down toward the floor after tightening.
- Push SPOUT (10) with SPOUT O-RINGS (13) into ESCUTCHEON (8) until seated against stop. Align SPOUT (10) and tighten SPOUT SET SCREW (11) with HEX WRENCH (12) supplied.



4 INSTALL HANDLES

- Install SPRING CLIP (1) onto VALVE STEM (2) as illustrated.
- Slide BARREL SLEEVE WASHER (3) onto VALVE STEM (2) against SPRING CLIP (1). *Note: BARREL SLEEVE WASHER (3) is not supplied with Cross Handles.*
- Apply sealant to groove on back side of ESCUTCHEON (4). Slide ESCUTCHEON (4) onto BARREL SLEEVE (5).
- Turn VALVE STEM (2) to off position. Align HANDLES as shown or as desired and install HANDLE ASSEMBLY (7, 7A) onto VALVE STEM (2). Thread BARREL SLEEVE (5) onto VALVE BODY (6) until seated tightly against valve.
- Slide ESCUTCHEON (4) on BARREL SLEEVE (5) flush against finished wall.



109142A