

ROUGHING IN DIMENSIONS MAY VARY AND ARE SUBJECT TO CHANGE. NO RESPONSIBILITY IS ASSUMED FOR USE OF SUPERCEDED OR VOIDED DATA.



2100 South Clearwater Drive  
Des Plaines, IL 60018  
Phone: 800-566-2100  
Fax: 847-803-5454  
www.geberitnorthamerica.com

# ROUGH-IN

FITTING NO.

151.602.XX.1

SUBMITTED MODEL NO.

**FOR TECHNICAL ASSISTANCE**  
1-800-TEC-TRUE (1-800-832-8783)

BY: SID DATE: 03-18-08

CHK: *[Signature]* REV:

SUBMITTED AS SHOWN

SUBMITTED AS NOTED

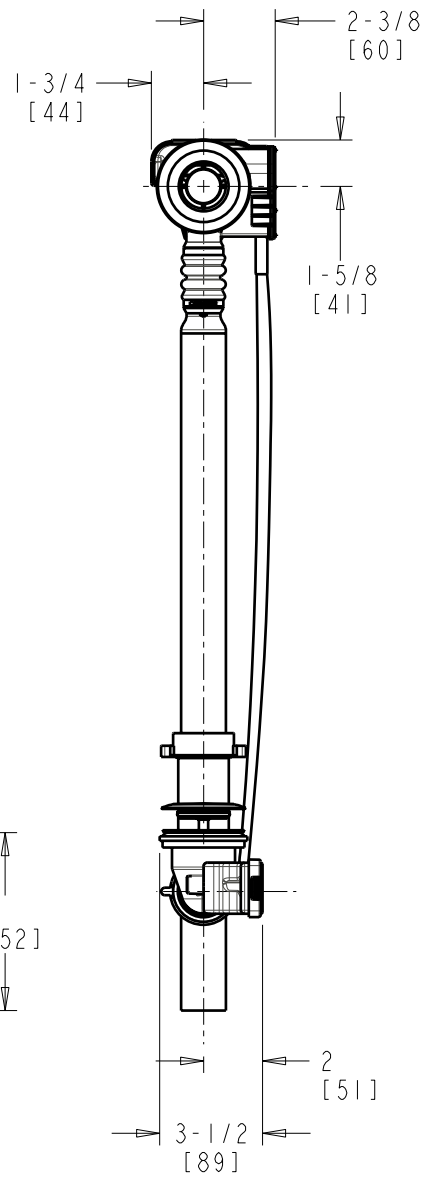
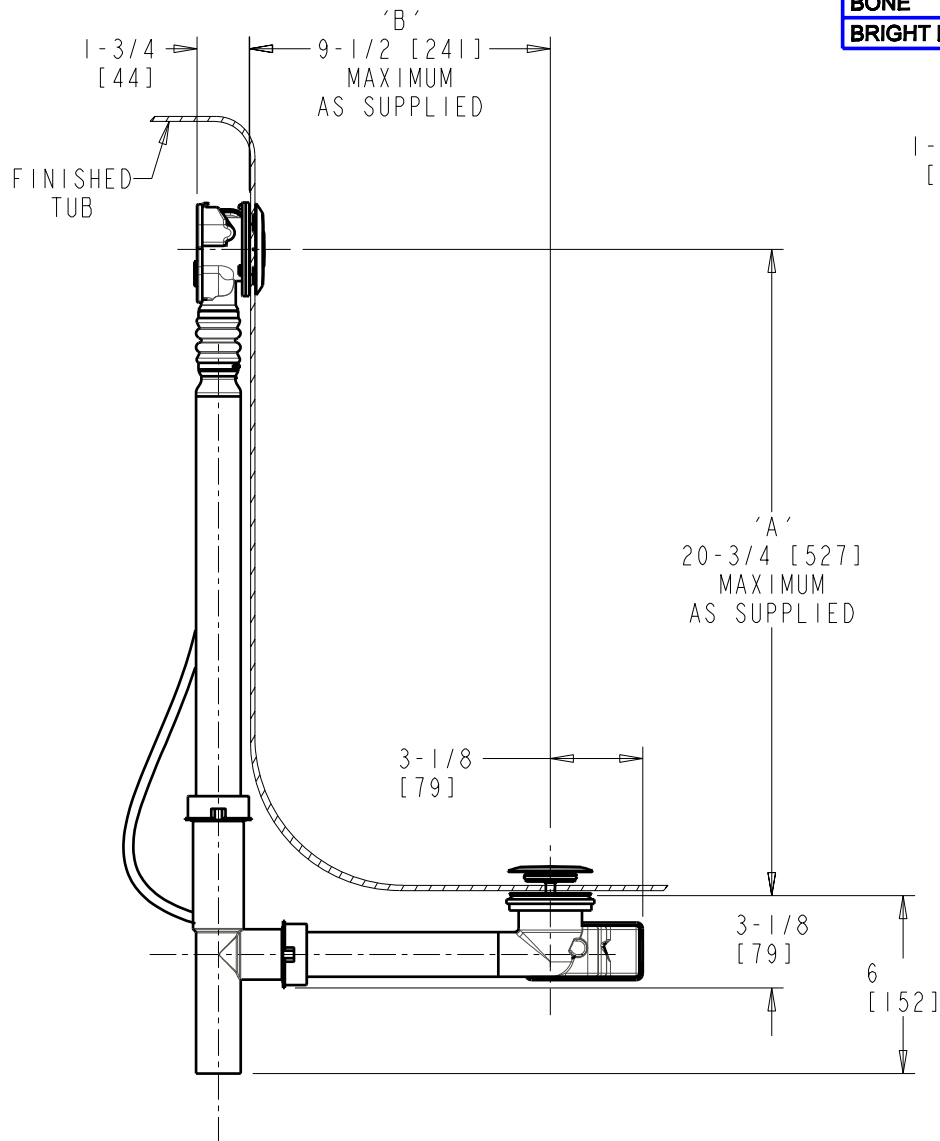
SEE ATTACHED FOR  
SUBMITTED MODIFICATION

JOB NAME

ITEM NO.

FINISH DESCRIPTION	FINISH CODE
POLISHED CHROME	21
WHITE	DY
BISCUIT	FF
BONE	AA
BRIGHT BRASS	CL

**NOTE:**  
'A' + 'B' NOT TO EXCEED 27"



DIMENSIONS ARE IN INCHES AND [MILLIMETERS].

**TECHNICAL DATA**

- PUSH CONTROL CABLE-OPERATED BATH WASTE AND OVERFLOW
- WITH DECORATIVE TRIM KIT AND FLEXIBLE NECK
- FITS MOST TUBS 17"-24" DEEP
- 1-1/2" TUBULAR PP .08" WALL
- FITS TUB WALL THICKNESS UP TO 1/2"
- 2" DIA. DRAIN HOLE OPENING
- 2" TO 2-1/2" DIA. OVERFLOW HOLE OPENING

- MOLDED PLASTIC PUSH BUTTON & PLUNGER; FINISHED AS SPECIFIED ABOVE
- STAINLESS STEEL STRAINER
- 27" TEFLON® COATED STAINLESS STEEL CABLE
- INSTALLATION TOOLS INCLUDED
- ASME A112.18.2/CSA B125.2 COMPLIANT