



**PRODUCT DESCRIPTION**

5236 Series 26" Vanity Drawer

- Available in Antique White (AWH) or Mahogany (MMG) Finish
- Solid Wood Frame
- Modular Suite Component
- Satin Nickel Hardware
- Top Sold Separately

**PRODUCT MEASUREMENTS**

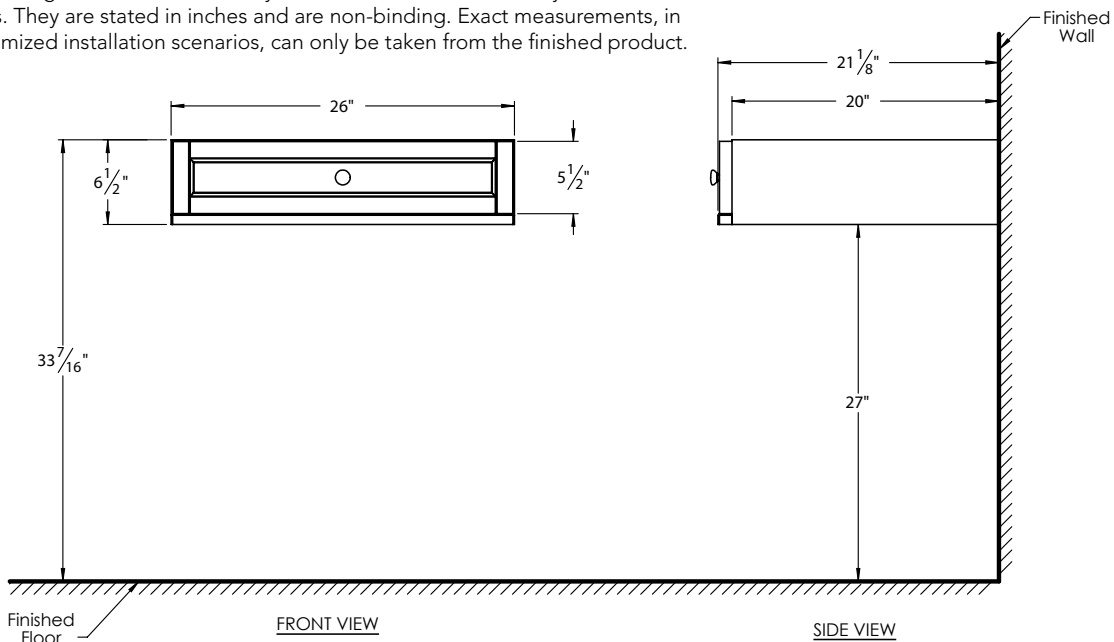
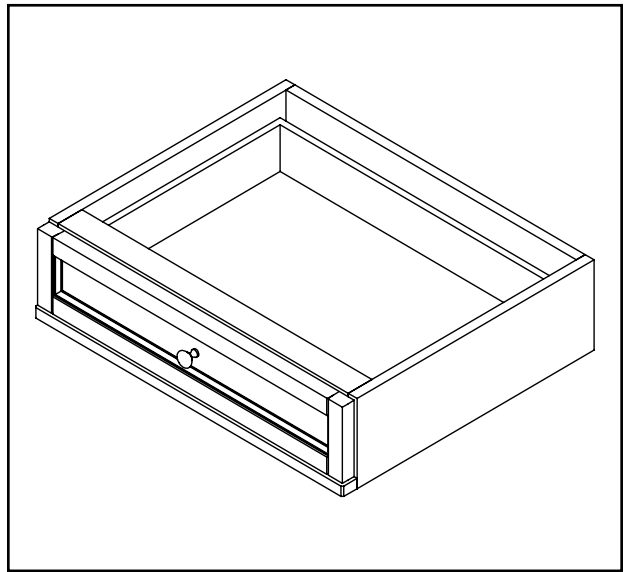
- Width: 26"
- Depth: 21.13"
- Height: 6.5"

**RECOMMENDED ACCESSORIES**

- 5231, 5232 or 5233 Vanity Base
- 1670 Stone Top
- 5238 Wall Cabinet
- 5234 Linen Tower
- 9709 or 9710 Mirror
- 5246 Support Leg
- 5239 Vanity Stool

**ROUGHING-IN DIMENSIONS**

Please Note: All drawings contain the necessary measurements which are subject to standard industry tolerances. They are stated in inches and are non-binding. Exact measurements, in particular for customized installation scenarios, can only be taken from the finished product.



**POSSIBLE MODULAR CONFIGURATIONS**

Note: Requires Vanity and/or Support Leg For Installation

