



PRODUCT DESCRIPTION

9710 Series 30" Wall Mirror

- Available in Antique White (AWH) or Mahogany (MMG) Finish
- Includes Wall Cleat For Easy Installation
- Modular Suite Component

PRODUCT MEASUREMENTS

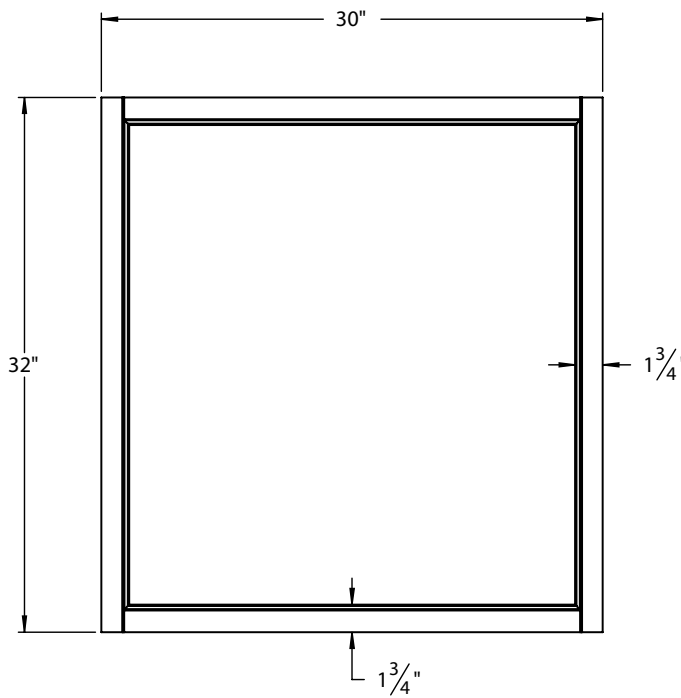
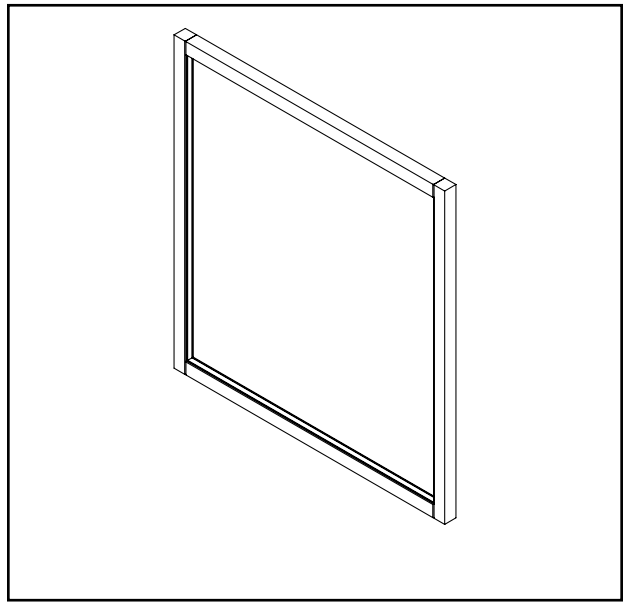
- Width: 30"
- Depth: 1.25"
- Height: 32"

RECOMMENDED ACCESSORIES

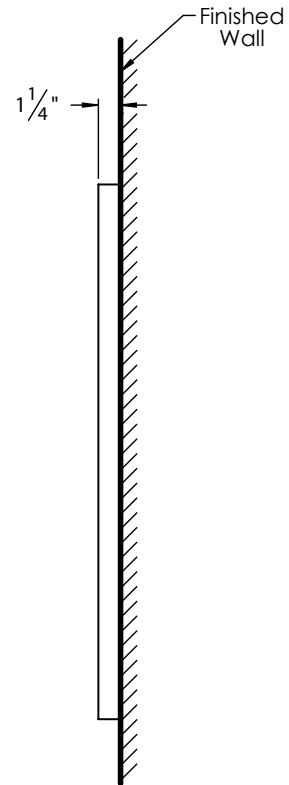
- 5232 or 5233 Vanity Base
- 5234 Linen Tower
- 5238 Wall Cabinet

ROUGHING-IN DIMENSIONS

Please Note: All drawings contain the necessary measurements which are subject to standard industry tolerances. They are stated in inches and are non-binding. Exact measurements, in particular for customized installation scenarios, can only be taken from the finished product.



FRONT VIEW



SIDE VIEW