



DECOLAV®

MODEL NUMBER: 5300T SERIES

PRODUCT DESCRIPTION

Integrated Tempered Glass Top Lavatory Console

- Lavatory Console
- Elegantly Refined Wood Base
- Integrated Glass Countertop
- Single Hole Drilling
- 12mm Glass Shelf
- Tempered Natural Glass
- Accessory Shelf Included
- Rectangular Mirror with Shelf
- CSA Certified: CSA B45.0-02, CSA B45.11-04, IAPMO IGC172-2005



PRODUCT MEASUREMENTS

Console

- Width: 27.50 in (69.85 cm)
- Depth: 22.25 in (56.51 cm)
- Height: 36.75 in (93.34 cm)

Mirror

- Width: 27.25 in (69.21 cm)
- Height: 35.5 in (90.17 cm)

Accessory Shelf

- Width: 11.875 in (30.16 cm)
- Depth: 22.25 in (14.28 cm)
- Height: 52 in (132.08 cm)

RECOMMENDED ACCESSORIES

- DECOLAV® 9290 Umbrella Drain or
- DECOLAV® 9296 Grid Drain
- DECOLAV® 9100 Decorative Bottle trap.

THANK YOU

Dear Valued Customer,
DECOLAV® would like to take this opportunity to thank you for your purchase – It is our sincere hope that you are completely satisfied with your new product. We welcome and look forward to helping you create another unique look for your next bathroom project.

Prior to installation, please take a moment to review all provided materials and hardware. For assistance with your new product, please contact our dedicated DECOLAV® customer service staff.

Sincerely,

Robert H. Mayer
Chief Executive Officer and President

*Let your dreams come alive,
Your passions become reality,
Be the envy of your neighbors™*



DECOLAV®

Changing the way you view the bathroom™

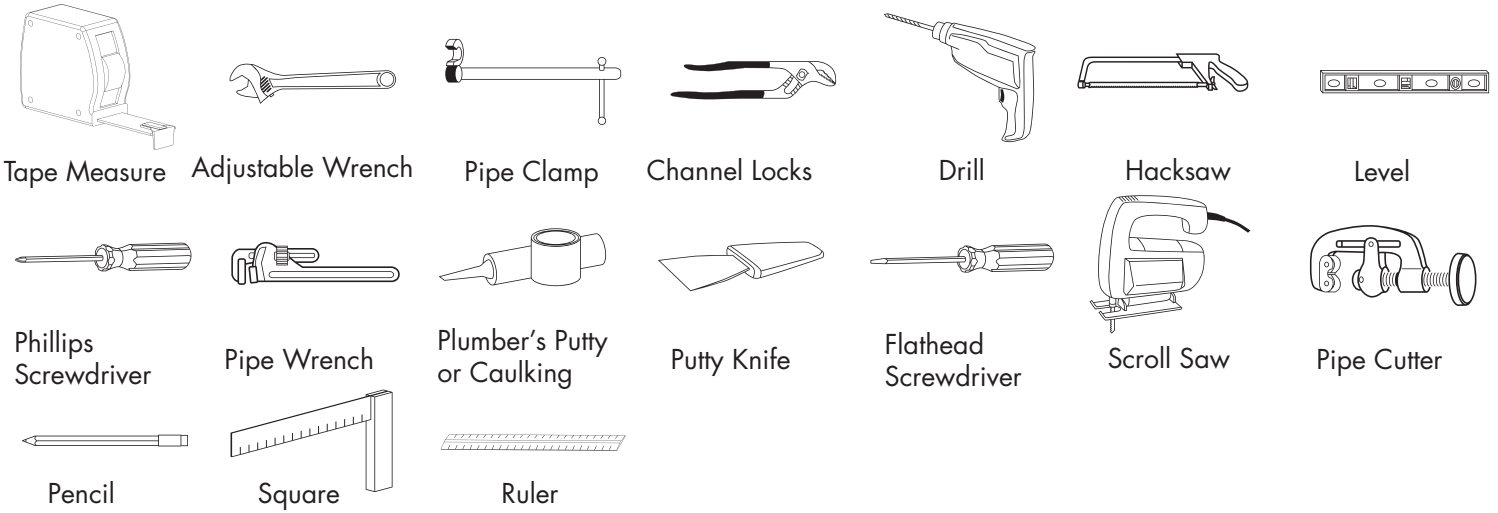
BEFORE YOU BEGIN

1. Prior to installation, unpack your new DECOLAV® product and inspect it. Keep the product in its original package until you are ready to install it.
2. The wall must be square, plumb and level.
3. Shut the water supply off when replacing an existing fixture. Preparation of the floors and walls, including all additional wall supports, may be required.
4. **Observe all local plumbing and building codes.**
5. It is recommended that this installation be done with a minimum of two people. Do not install this fixture alone.

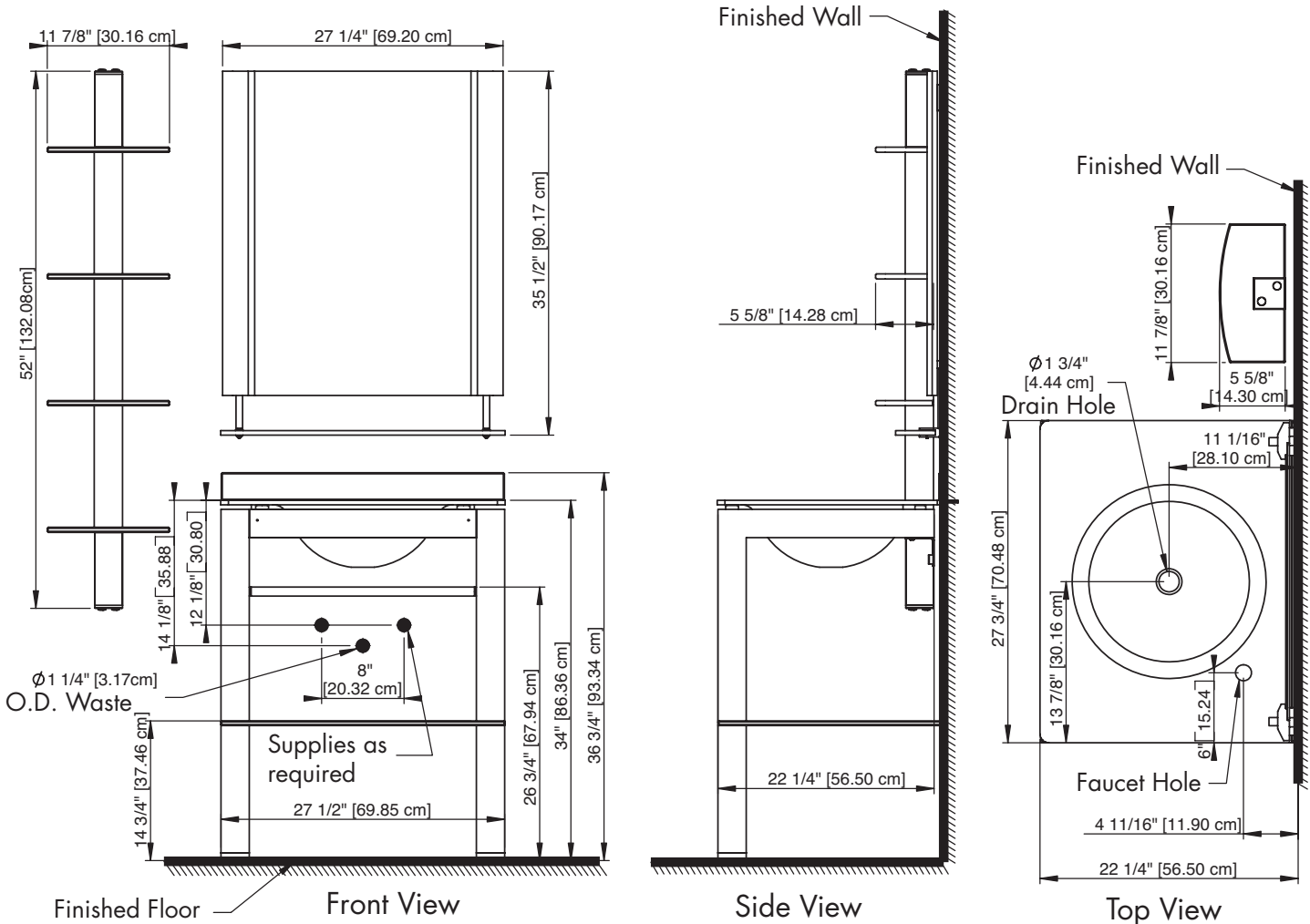
Customer Service
561-274-2110
www.decolav.com



TOOLS REQUIRED

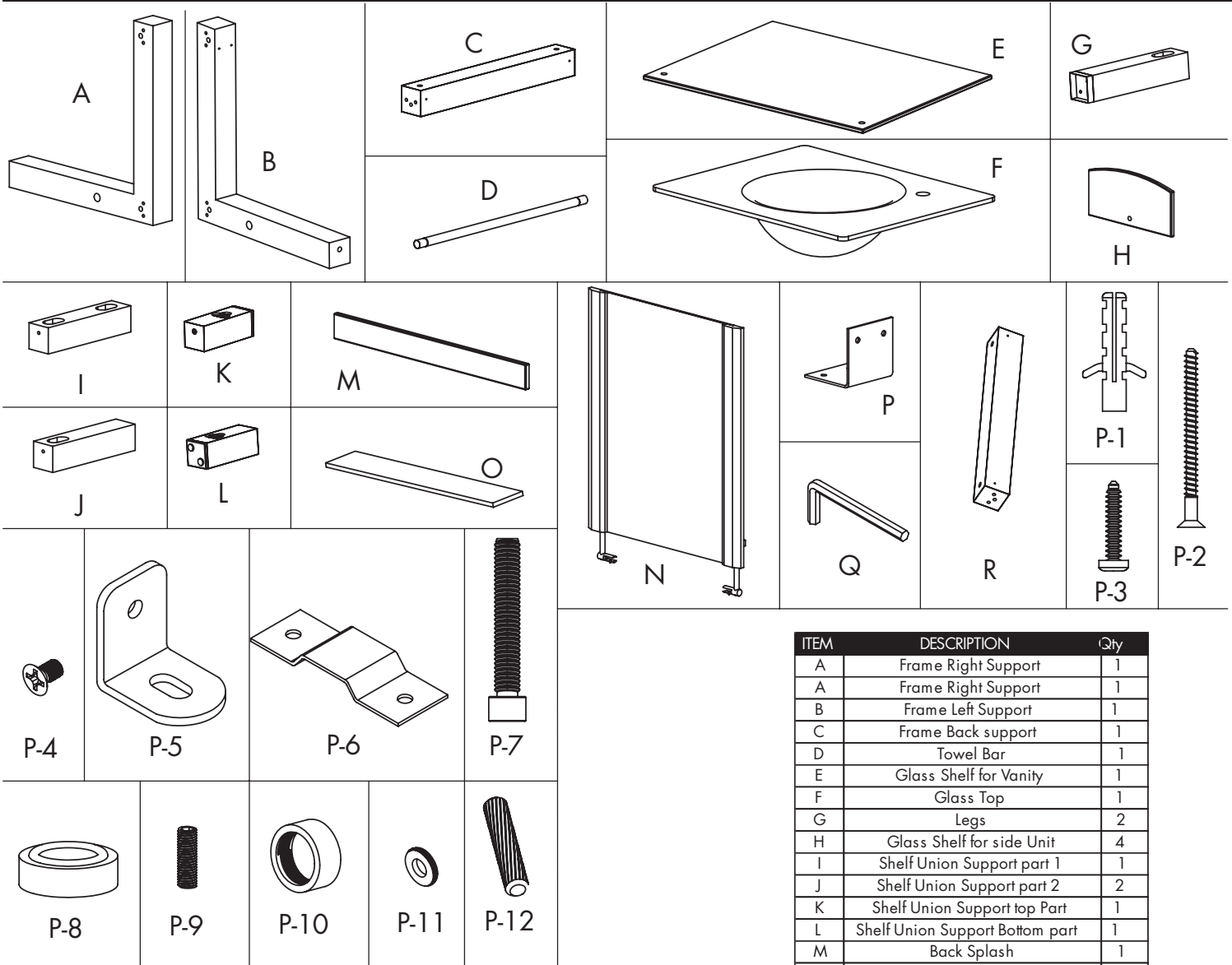


ROUGHING-IN DIMENSIONS





PARTS



ITEM	DESCRIPTION	Qty
A	Frame Right Support	1
A	Frame Right Support	1
B	Frame Left Support	1
C	Frame Back support	1
D	Towel Bar	1
E	Glass Shelf for Vanity	1
F	Glass Top	1
G	Legs	2
H	Glass Shelf for side Unit	4
I	Shelf Union Support part 1	1
J	Shelf Union Support part 2	2
K	Shelf Union Support top Part	1
L	Shelf Union Support Bottom part	1
M	Back Splash	1
N	Mirror Assembly	1
O	Mirror Glass Shelf	1
P	Wall "L" Bracket	2
Q	Allen Key	1
R	Frame Front Support	1
P-1	Anchors	10
P-2	Wall Screws	10
P-3	Wall "L" Bracket Screws	6
P-4	Glass Top "L" Bracket Screws	2
P-5	Glass Top "L" Bracket	2
P-6	Mirror Hanger	2
P-7	Socket Cap Screws	10
P-8	Glass Top Support	4
P-9	Glass Top Support Set Screw	4
P-10	Large End Cap	6
P-11	Large Threaded Gasket	6
P-12	Wooden Dowels	8

**INSTALLATION INSTRUCTIONS**

DECOLAV recommends that installation of this unit takes place on a soft, non-abrasive, scratch resistant surface in order to prevent damage.

• STEP #1

- Insert **Wooden Dowels (P-12)** and **Towel Bar (D)** into **Frame Left Support (B)**
- Refer to figure #1.
- **NOTE: WOOD GLUE (NOT PROVIDED) MAY BE ADDED PRIOR TO ATTACHING WOODEN DOWELS!**
- With **Allen Key (Q)**, attach **Frame Front Support (R)** and **Frame Rear Support (C)** to **Frame Left Support (B)** using **Socket Cap Screws (P-7)**.
- Refer to figure #2 and detail #1.

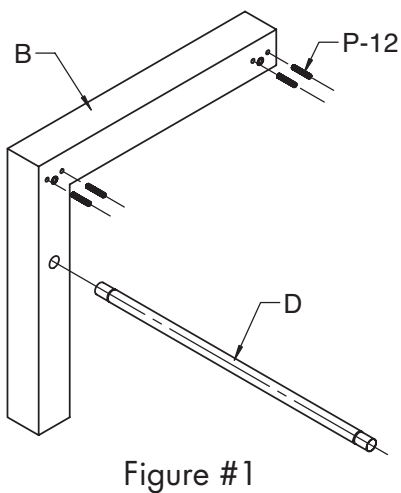


Figure #1

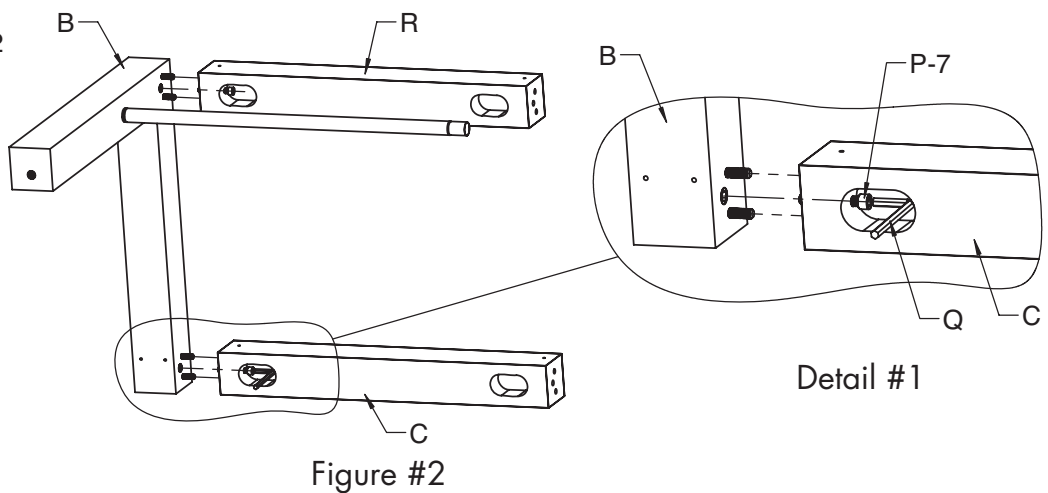


Figure #2

• STEP #2

- Repeat assembly to **Frame Right Support (A)**.
- Refer to figure #3.

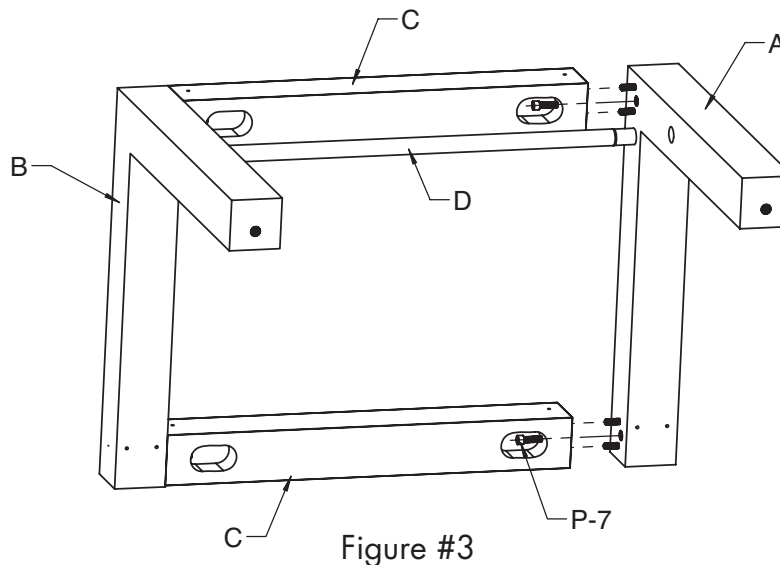


Figure #3

**INSTALLATION INSTRUCTIONS****• STEP #3**

- Thread **Glass Top Support Set Screws (P-9)** into **Glass Top Supports (P-8)**.
- Refer to figure #4.
- Attach **Support Screws** into **Vanity Frame Assembly**.
- Refer to figure #5.

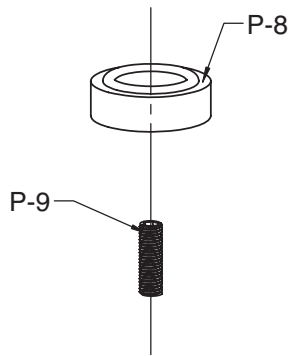


Figure #4

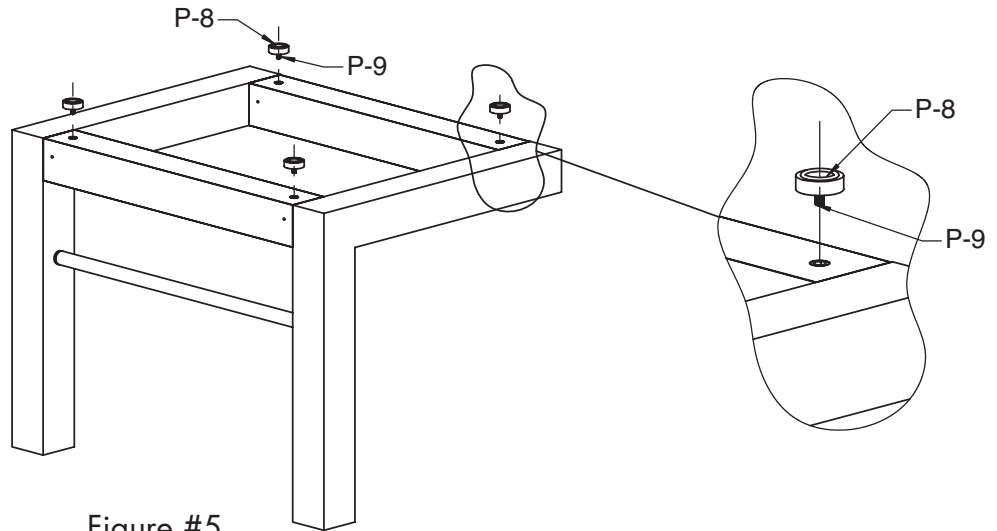


Figure #5

• STEP #4

- With assistance, flip Unit upside down on recommended surface.
- Attach **Wall "L" Brackets (P)** to the bottom side of **Frame Support** using **Wall "L" Bracket Screws (P-3)**.
- Refer to figure #6.

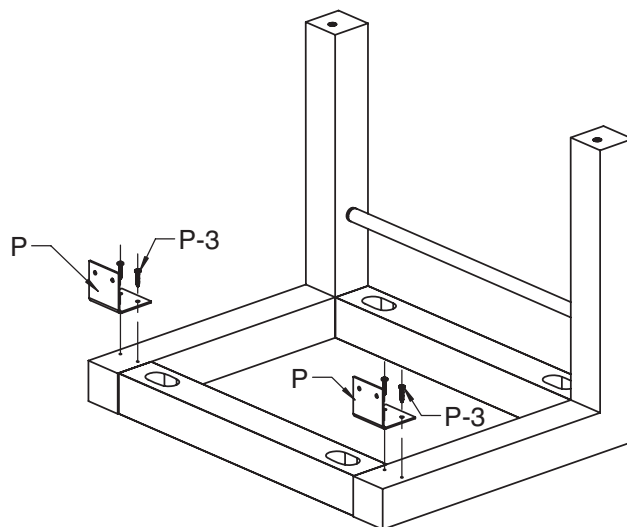


Figure #6

**INSTALLATION INSTRUCTIONS****• STEP #5**

- o Carefully, with the help of a partner, position **Glass Shelf (E)** in place.
- o Refer to figure #7.
- o Place **Legs (G)** above **Glass Shelf** and using **Socket Cap Screw** secure **Legs** to **Vanity Frame Assembly**.
- o Refer to detail #2.

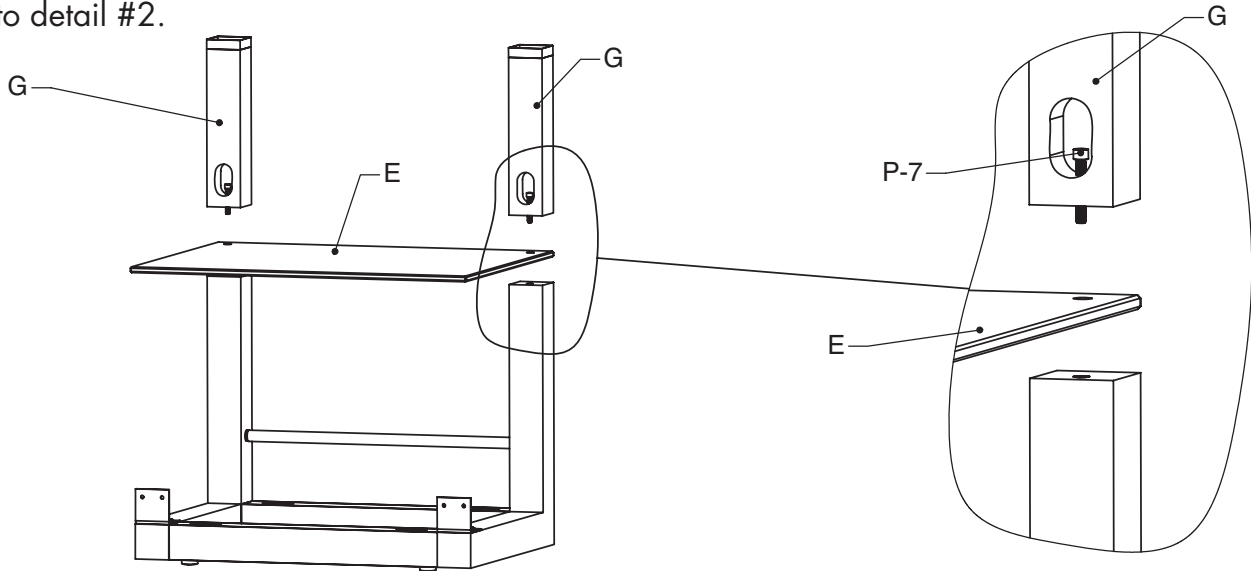
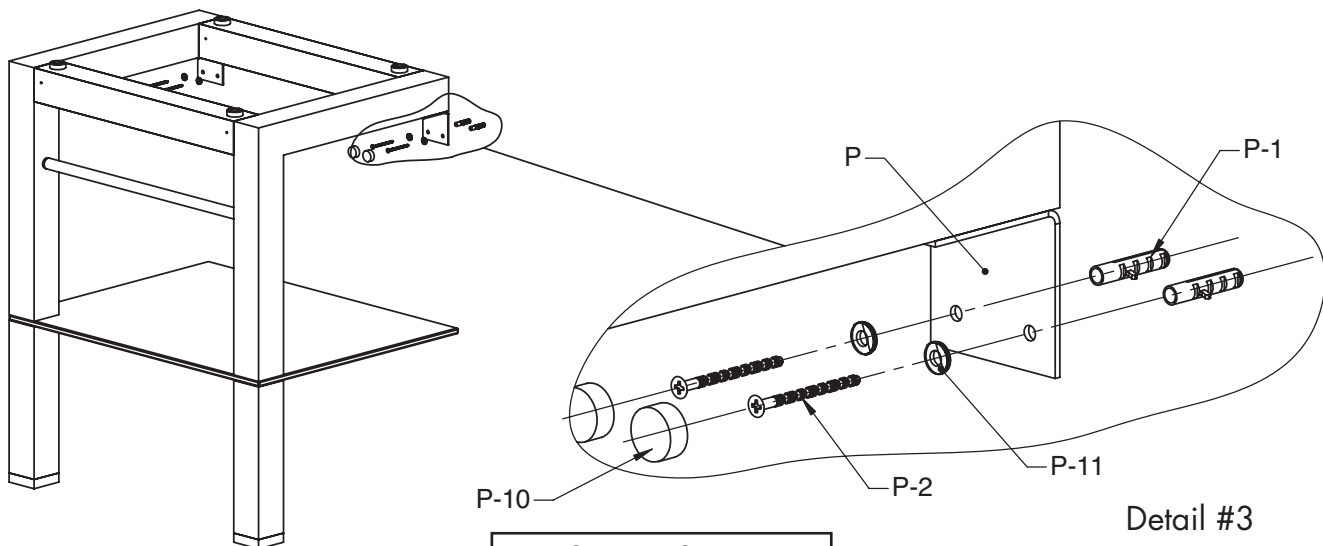


Figure #7

Detail #2

• STEP #6

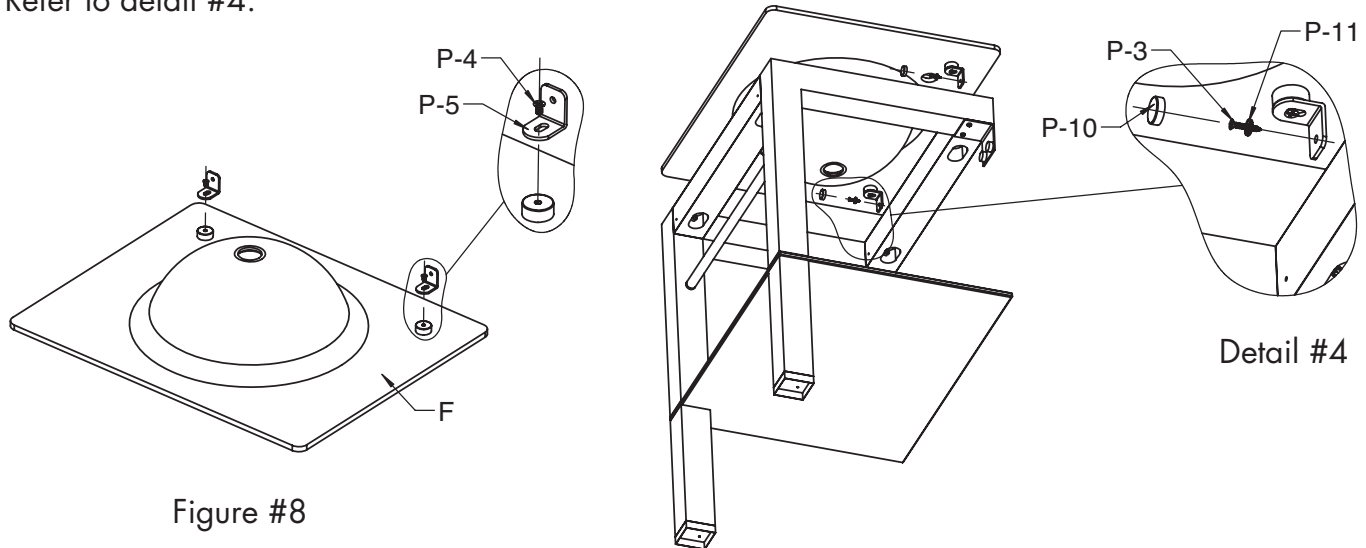
- o With assistance, place Unit in desired location.
- o Level and Square Unit. Mark **Wall Screw (P-2)** locations through **Wall "L" Brackets** mounting holes.
- o Remove Unit from installation position.
- o Drill holes, insert **Anchors (P-1)**, and attach Unit to Wall using **Wall Screws** through **Gaskets (P-11)**.
- o Cover with **End Caps (P-10)**.
- o Refer to detail #3.



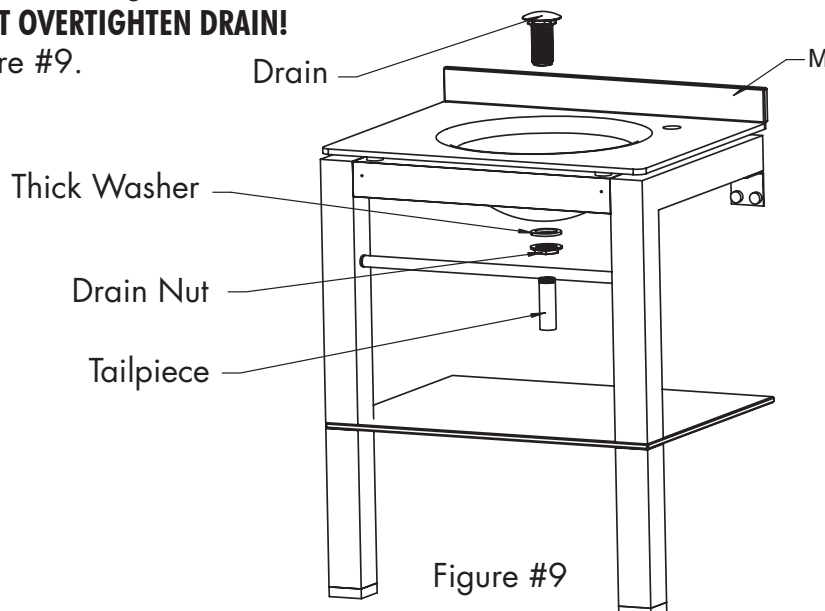
Detail #3

**INSTALLATION INSTRUCTIONS****• STEP #7**

- Place **Glass Top (F)** upside down on recommended surface.
- Attach **Glass Top "L" Brackets (P-5)** to **Glass Top** using **Glass Top "L" Bracket Screws (P-4)**.
- Refer to figure #8.
- Carefully lower **Glass Top** onto **Glass Top Supports** and center. Once centered, secure **Glass Top** to **Frame Back Support** using **Wall "L" Bracket Screws**. Cover with **End Caps**.
- Refer to detail #4.

**• STEP #8**

- Seal **Backsplash (M)** to **Glass Top** by applying silicone or other adhesive to bottom side of **Backsplash**.
- **NOTE: DRAIN SHOWN, DECOLAV® 9290 UMBRELLA DRAIN, IS A RECOMMENDED ACCESSORY AND NOT INCLUDED!**
- Install Drain according to manufacturer's installation instructions.
- **NOTE: DO NOT OVERTIGHTEN DRAIN!**
- Refer to figure #9.





INSTALLATION INSTRUCTIONS

• STEP #9

- o **NOTE: WASTE SYSTEM SHOWN, DECOLAV® 9100 DECORATIVE BOTTLE TRAP, IS RECOMMENDED AND NOT INCLUDED!**
- o Install waste system according to manufacturer's installation instructions.
- o Refer to figure #10.

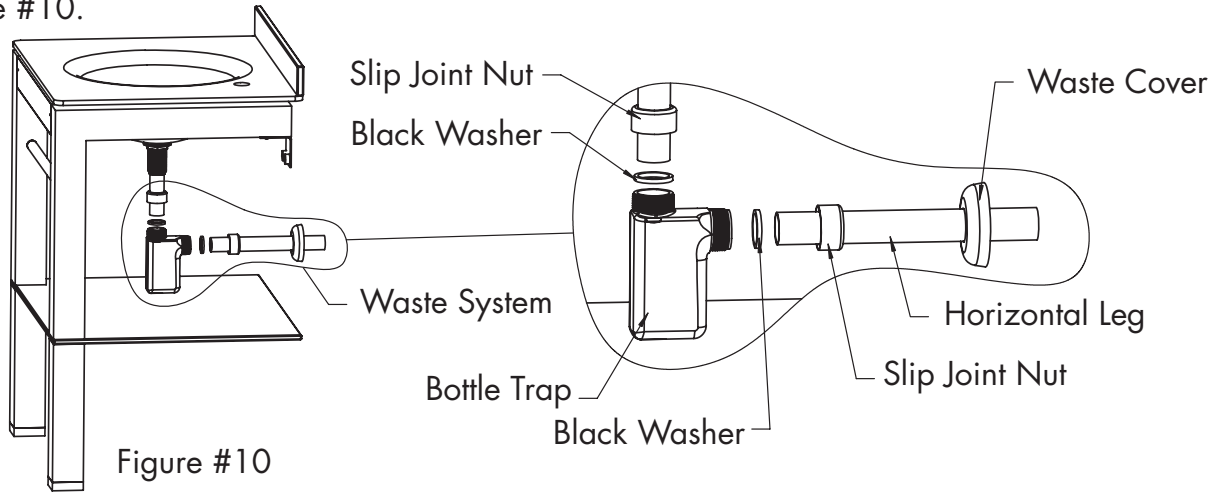


Figure #10

• STEP #10

- o Install faucet and supply according to manufacturer's installation instructions.
- o **NOTE: FAUCET AND WATER SUPPLY NOT INCLUDED!**
- o Check for leakage.

• STEP #11

- o Prepare wall by drilling, then inserting **Anchor** at desired mounting location of **Mirror Assembly (N)**.
- o Refer to Roughing-In Dimensions, page 2, for hole location measurements.
- o Attach **Mirror Hanger (P-6)** to Wall using **Wall Screws**.
- o Hang **Mirror Assembly** as shown.
- o Refer to figure #11.
- o Remove Mirror Bracket Screw.
- o Slide **Mirror Glass Shelf (O)** into Mirror Bracket and secure with Mirror Bracket Screw.
- o Refer to detail #5.

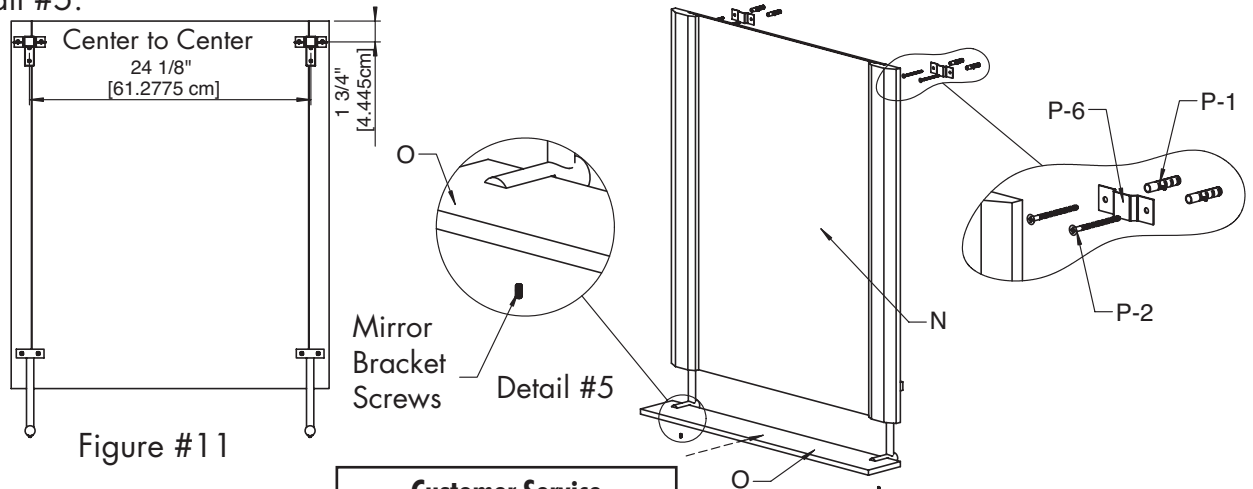


Figure #11



INSTALLATION INSTRUCTIONS

• STEP #12

- o Assemble **Shelf Union Support Bottom (L)**, **Glass Shelf for Side Unit (H)** and **Shelf Union Support 1 (I)** using **Socket Cap Screw**.
- o Refer to figure #12.
- o Assemble **Shelf Union Support 1** to **Shelf Union Support 2 (J)** by using **Socket Cap Screw** making sure to insert **Glass Shelf for Side Unit** between **Supports**.
- o Refer to figure #13.
- o To complete **Side Shelf** assemble **Shelf Union Support Top (K)**, **Glass Shelf for Side Unit** and **Shelf Union Support 2** using **Socket Cap Screw**.
- o Refer to figure #14.

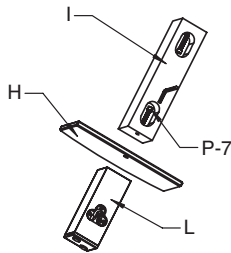


Figure #12

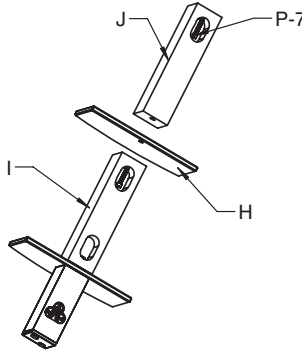


Figure #13

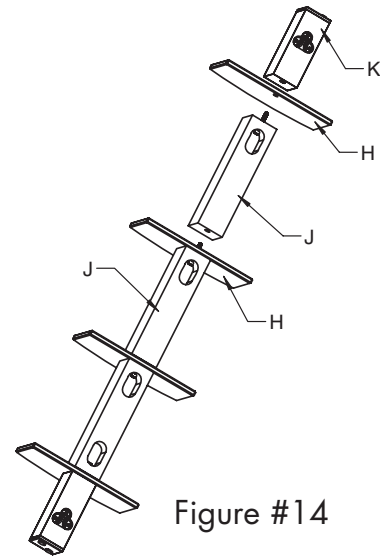
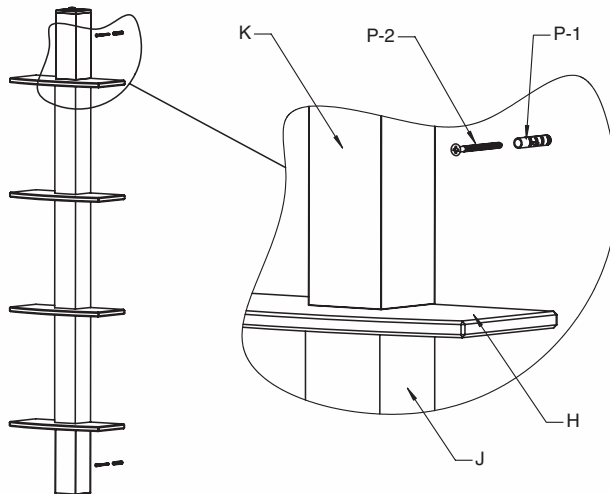
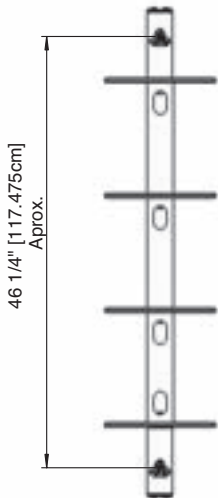


Figure #14

• STEP #13

- o Prepare wall by drilling then inserting Anchor at desired mounting location of Side Shelf.
- o Refer to Roughing-In Dimensions, page 2, for hole location measurements.
- o Attach Wall Screw to Anchor having approximately 3/8" (.9525cm) of screw revealed.
- o Hang Side Shelf as shown.
- o Refer to figure #15 for finished unit.





DECOLAV®

MODEL NUMBER: 5300T SERIES 10

INSTALLATION INSTRUCTIONS

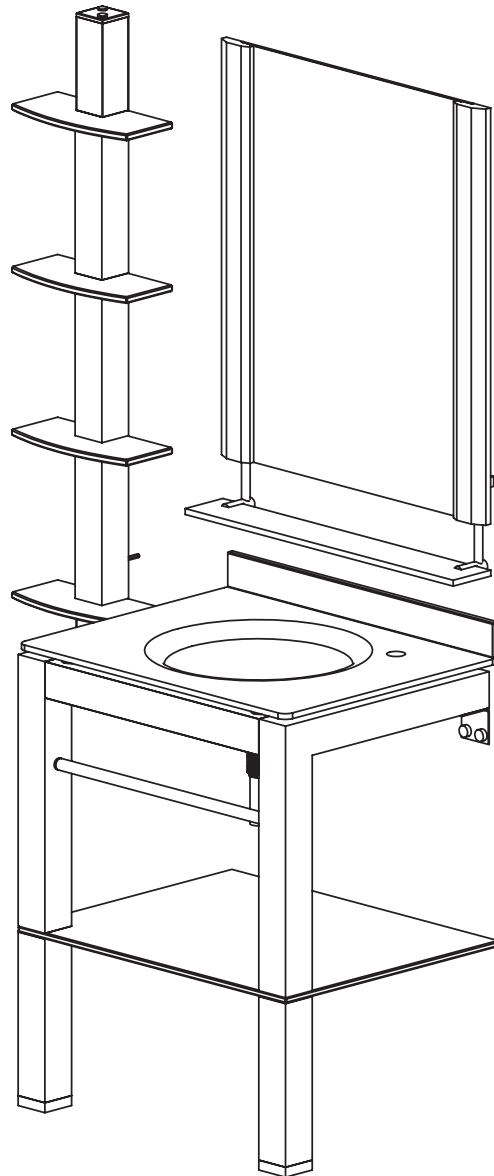


Figure #15

Customer Service
561-274-2110
www.decolav.com

**CARE AND CLEANING**

- **DO NOT OVERTIGHTEN DRAIN.** Overtightening of the drain can damage your DECOLAV® product.
- **DO NOT** clean the product with Detergents, Acid, Abrasives, Harsh Cleaners or a cloth with a coarse surface (S.O.S.® Pads, Scotch Brite® Pads). This is good advice for any plumbing fixture regardless of material.
- **DO NOT** leave any cleaning agents other than water on your DECOLAV® product.
- **DO NOT** allow your DECOLAV® product to unnecessarily encounter other solid objects.
- **DO** clean your DECOLAV® product. Wipe with a damp cloth and dry with a soft cloth. If necessary, a general mild soap and water solution can be used. Use a mild furniture polish to clean wood frame.
- **DO** clean underside of your DECOLAV® product with mild soap and water ONLY.
- **DO** wipe your DECOLAV® product with a clean, dry, soft cloth after each use, as it will limit water spots, especially in hard water areas.
- **DO** clean your DECOLAV® mirror. Wipe with a glass cleaner and a clean soft cloth. Use a mild furniture polish to clean wood frame.
- **DECOLAV® recommends proper sealing of ALL natural stone products PRIOR TO INSTALLATION.**

FULL LIFETIME WARRANTY

Any Deco Lav, Inc. ("DECOLAV") product(s), sold after January 1, 2006, will be warranted to the original end consumer to be free of true defect(s) in material and workmanship for life of the product(s) subject to the following restrictions:

- DECOLAV is notified promptly in writing, via fax or mail, by the Retail/Wholesale Purchaser upon discovery of any alleged defect(s) in the product(s), including a detailed description of the alleged defect(s).
- Proof of purchase (original sales receipt) from the original end consumer must be made available to DECOLAV for all warranty claims.
- Authorized DECOLAV personnel has inspected the product(s) and determined the product(s) to have true manufacturing defect(s).
- Such product(s) are returned to DECOLAV (unless other arrangements satisfactory to DECOLAV have been agreed upon).

This Lifetime Warranty is non-transferable and applies only to the original end consumer and to the original installation of the product(s). This Lifetime Warranty is void if the product(s) has been moved from its initial installation site or if ownership of the product(s) has changed.

THIS LIFETIME WARRANTY DOES NOT COVER ANY DAMAGES CAUSED BY SHIPPING, MISUSE, ABUSE, ACCIDENTS, NEGLIGENCE, UNAUTHORIZED REPAIRS OR ALTERATIONS, MODIFICATIONS, USE OF OTHER THAN GENUINE DECOLAV REPLACEMENT PARTS, DIRT, LIME SCALE, AND OTHER MINERALS, SCUFFS AND SCRATCHES, EXPOSURE TO MARINE AREAS, ABNORMAL USAGE, AND NORMAL WEAR AND TEAR. ANY IMPROPER INSTALLATION, IMPROPER MAINTENANCE, IMPROPER HANDLING, IMPROPER AND CONTRARY USES NOT STATED WITHIN INSTRUCTIONS, AND ALL ACTS BEYOND DECOLAV'S CONTROL WILL VOID THIS LIFETIME WARRANTY.

DECOLAV's product(s) are produced from natural raw materials and there is a slight color variance. This is **NOT** a manufacturing defect(s) and will not be covered under this Lifetime Warranty.

This Lifetime Warranty does not apply to local building code compliance. Since local building codes vary considerably, the original end consumer of the product(s) should check with a local building or plumbing contractor to ensure local code compliance before installation.

This Lifetime Warranty does not cover any mechanical pieces of any DECOLAV product(s). These mechanical pieces will be covered under a One Year Warranty, based on the same criteria as this Lifetime Warranty, from the date of the initial purchase.

Upon satisfaction of each of the foregoing conditions and requirements, DECOLAV shall, at its option, either repair or replace such defective product(s). DECOLAV shall return any product(s) repaired or replaced under this Lifetime Warranty to the original end consumer transportation prepaid. All Closeout/Discontinued product(s), at time of claim, will either be repaired or replaced with a comparable item.

DECOLAV's option to repair or replace the product(s) under this Lifetime Warranty does not cover any cost of labor to remove or install the DECOLAV product, usage and delay time, or other costs of removal or installation whatsoever. **IN NO EVENT WILL DECOLAV BE LIABLE FOR THE COST OF REPAIR OR REPLACEMENT OF ANY INSTALLATION MATERIALS, INCLUDING BUT NOT LIMITED TO, TILES, MARBLE, ETC.**

This Lifetime Warranty does not cover any liability for consequential or incidental damages, all of which are hereby expressly disclaimed, or the extension beyond the duration of this Lifetime Warranty. Some states do not allow the exclusion or limitation of incidental or consequential damages, so the above limitation or exclusion may not apply to you.

THE WARRANTIES HEREIN (A) ARE EXCLUSIVE AND STATED IN LIEU OF ALL OTHER WARRANTIES, WHETHER EXPRESS, STATUTORY, OR IMPLIED, INCLUDING BUT NOT LIMITED TO THE WARRANTIES OF MERCHANTABILITY AND FITNESS FOR AN INTENDED PURPOSE, ALL OF WHICH ARE HEREBY EXPRESSLY DISCLAIMED; (B) NEITHER ASSUME NOR AUTHORIZE PURCHASER NOR ANY OTHER PARTY TO ASSUME FOR DECOLAV ANY OTHER LIABILITIES IN CONNECTION WITH THE MANUFACTURE OR SALE OF PRODUCTS; AND (C) ARE SUBJECT TO THE LIMITATIONS ON DAMAGES AS SET FORTH ABOVE