



**DECOLAV®**

**SPEC SHEET**  
**5245 SERIES**

### PRODUCT DESCRIPTION

5245 Series 23" Wall Cabinet

- Available in Espresso (ESP) or Medium Walnut (MWN) Finish
- Solid Wood Frame
- Curved Front Doors
- Satin Nickel Hardware
- Adjustable Interior Shelf

### PRODUCT MEASUREMENTS

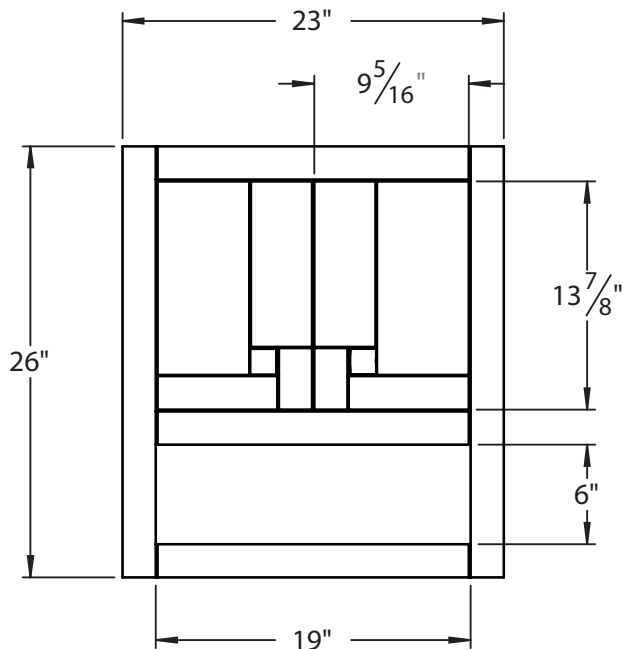
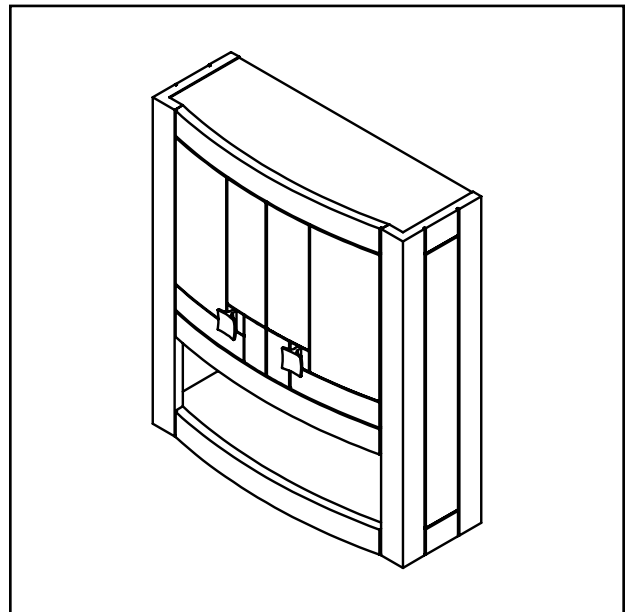
- Width: 23"
- Depth: 9"
- Height: 26"

### RECOMMENDED ACCESSORIES

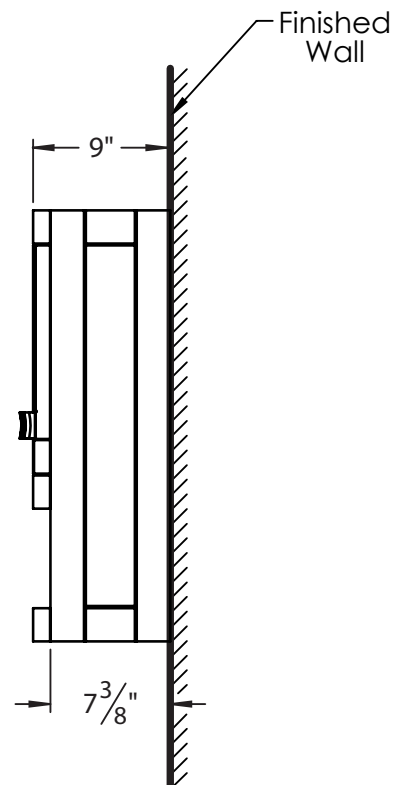
- 5240, 5241 or 5242 Vanities
- 9711 or 9712 Mirrors
- 5244 Linen Tower

### ROUGHING-IN DIMENSIONS

Note: Due to production and material variances, overall product dimensions may vary by 3/16" - 1/4"



FRONT VIEW



SIDE VIEW