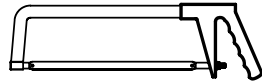


**Tools and Materials Required**


Putty knife



Drill



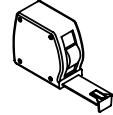
Hacksaw



Phillips Screw Driver



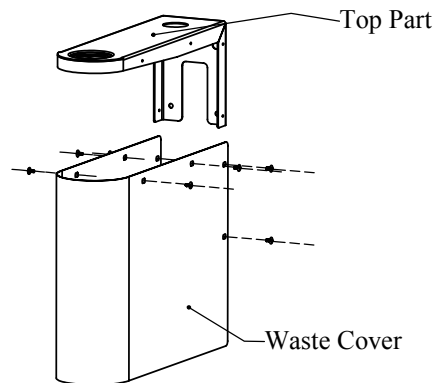
Adjustable Wrench



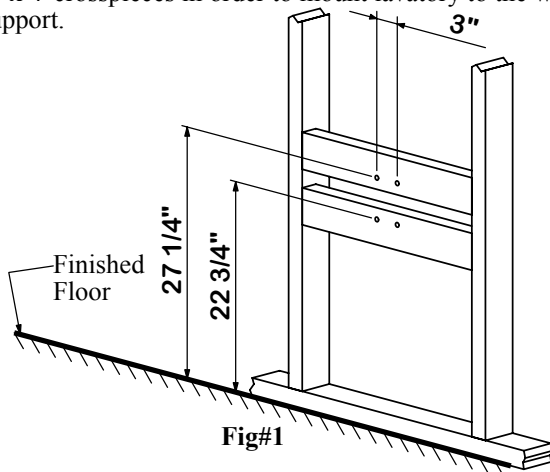
Tape Measure

**Step 1**

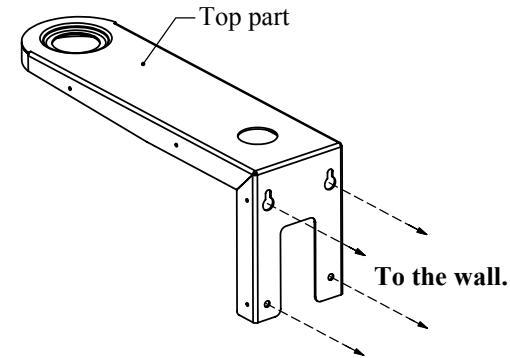
Begin installation taking apart waste cover from Top Part as illustrated below.


**Step 2**

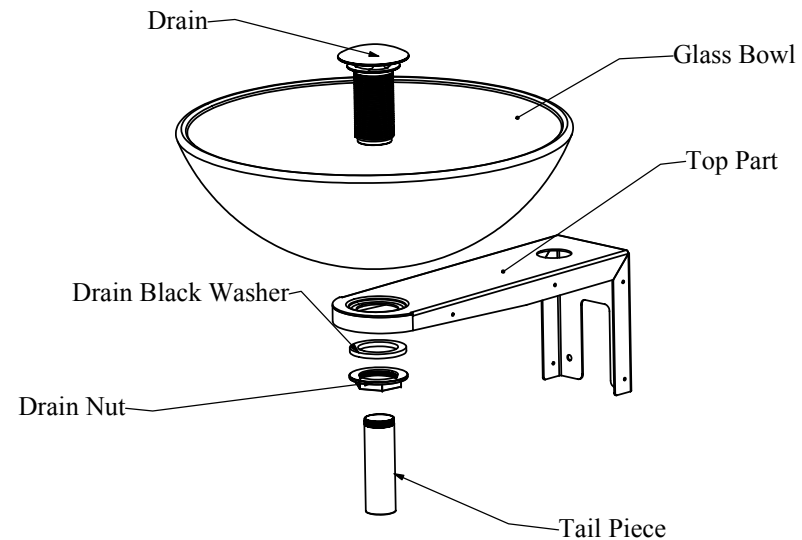
Preparing Wall for mounting. Remove wallboard from designated area. DECOLAV recommends to install 2" x 4" crosspieces in order to mount lavatory to the wall to ensure adequate support.


**Step 3**

Please refer to Fig #1 for dimensional locations of all crosspieces and lavatory mounting holes. Using level and square draw vertical and horizontal lines and mark the four holes locations for the lavatory. Drill appropriately sized holes at the locations marked. Place Top Part temporarily and check for alignments. Make sure that drilled holes match Top Part holes. Remove product from area, insert anchors (not provided) into drilled holes and attach the unit to the wall using wood screws. Please refer to illustration below while securing unit to the wall.

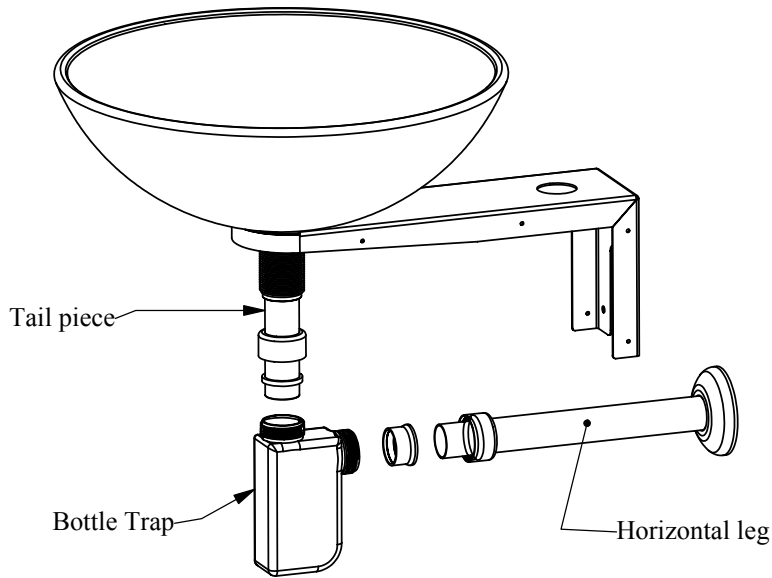

**Step 4**

Place Bowl above Top Part, center it and assemble drain system as shown below. Glass bowl sold separately, DECOLAV recommends any DECOLAV 17" around Glass Bowl.



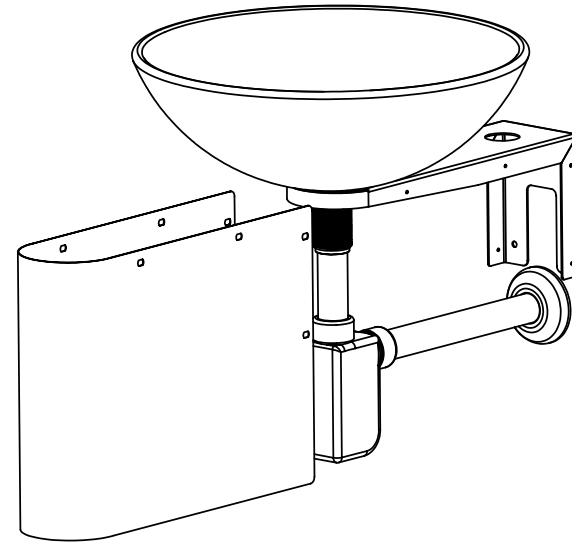
**Step 5**

Assemble Trap to Drain. Trap system is not included. DECOLAV recommends Model No. 9100 CP or any regular trap system. It may be necessary to cut off part of the tail piece or the horizontal leg in order to fit with existing plumbing.



**Step 7**

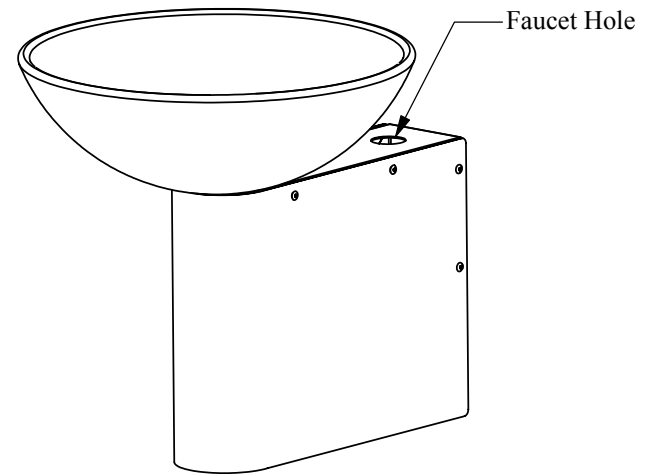
Assemble Cover as illustrated below. When finished, your product should look like figure 2.



**Step 6**

Connect supplies lines to faucet (finger tight) and carefully bend tubes to engage with the supplies shut-off valves.

Tighten connections at faucet and shut-off valves for secure seal. For specific faucet installation instructions refer to the faucet manufacturer's manual as provided with faucet.



**Figure 2**