



MS934304SF - Lloyd™ Toilet

- Unique sculpted design, skirted one piece toilet
- Universal Height 16-1/8" rim height
- Skirted styling with concealed trapway for easy cleaning
- G-Max™ Technology
- Powerful, quiet flush every time
- Large water surface
- Designer Suite:  
Matching Lloyd™ air bath, pedestal and console lavatories

Decorative, ADA compliant, high profile one piece toilet. Low consumption (6 Lpf/1.6 Gpf) siphon jet flushing action.

Tank cover, fittings, polished chrome trip lever, and SoftClose® Maple seat included.

■ **MS934304SF**

Elongated with SoftClose® Maple seat, 12" Unifit rough-in.

*Colors:*

*Standard* #01 Cotton

*Optional* See price book for additional colors

*Trip Lever:*

*Standard* #CP Polished Chrome

*Optional* See price book for additional finishes



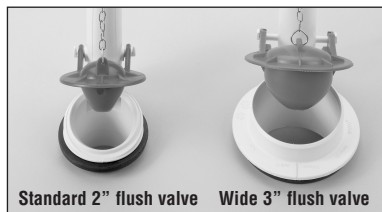
**G-Max™ Technology:** Quiet, powerful, commercial grade flushing performance.



**UniFit Rough-in:** Easy to install 10", 12" and 14" rough-in's available.



Complete with a SoftClose® Maple toilet seat, or upgrade to a Washlet™.



**Fast Flush:** New, wide 3" flush valve is 125% larger than conventional 2" flush valves.

# MS934304SF

## Lloyd™ One Piece Toilet, 1.6 GPF

### ■ PERFORMANCE

The TOTO® G-Max™ low consumption toilets received high ratings during ANSI/ASME and CSA testing at independent laboratories. Designed with a powerful siphon jet flushing action, the toilet offers a large water surface and a glazed trapway.

### ■ SPECIFICATIONS

Water Use: 1.6 Gpf / 6.0 Lpf  
 Flush System: Gravity Feed (G-Max System)  
 Min. Water Pressure: 8 psi  
 Water Surface: 10-3/4" x 8-1/4"  
 Trap Diameter: 2-1/8"  
 Rough-in: 12" rough-in  
 Trapseal: 2-1/4"  
 Warranty: Five Year Limited Warranty  
 Material: Vitreous china

Shipping Weight: **MS934304SF** 108 lbs.

Shipping Dimensions: **MS934304SF**  
 32"L x 19-1/2"W  
 x 28-1/2"H

*Fixture dimensions and hydraulic performance meet or exceed ANSI/ASME standard A112.19.2M and CAN/CSA B 45 requirements.*

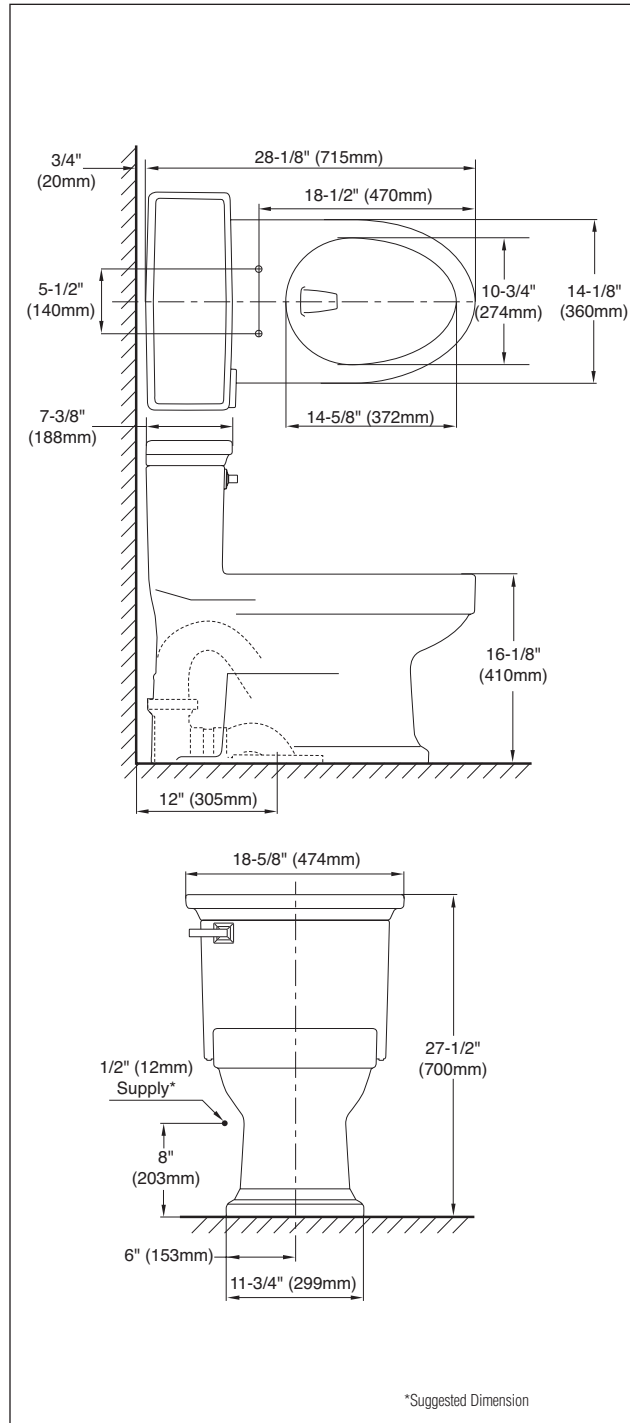
*Listing and approval: IAPMO/UPC, CSA, City of Los Angeles, State of MA, and others*



*Meets the American Disabilities Act Guidelines and ANSI A117.1 requirements where installed so top of seat is 17"-19" from the finished floor.*

*Recommended seat: SS304*

*These dimensions and specifications are subject to change without notice.*



**MS934304SF - Lloyd™ Toilet**