

## Ethos™ Design NII Widespread Lavatory Faucet

### FEATURES

---

- Durable brass construction
- Washerless ceramic disk valve cartridge
- Accommodates 8" -16" spread
- Metal pop-up waste assembly



### COLORS/FINISHES

---

- #CP Polished Chrome

### CODES/STANDARDS

---

- Meets or exceeds ASME A112.18.1/CSA B125.1, NSF 61-9
- Certifications: IAPMO(cUPC), State of Massachusetts, City of Los Angeles, and others
- Code Compliance: UPC, IPC, NSPC, NPC Canada, and others
- ADA compliant



### PRODUCT SPECIFICATION

---

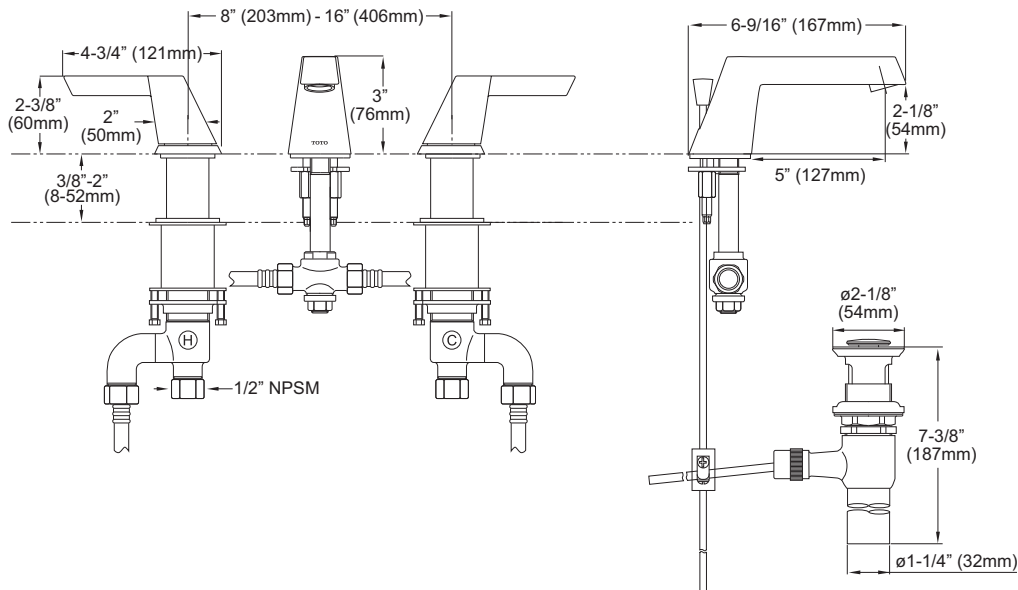
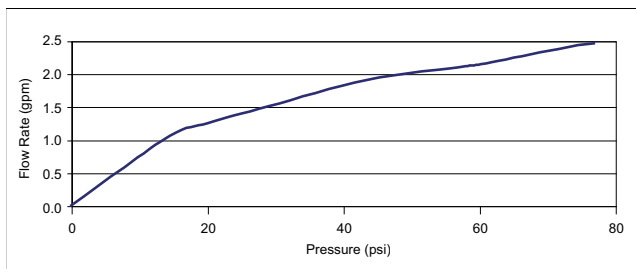
The two-handle lavatory faucet shall have durable brass construction and a washerless ceramic disk valve cartridge. Product shall be for 8 to 16 inch installations. Shall also include pop-up drain. Product shall be TOTO Model TL690DD\_\_\_\_\_.

# TL690DD

## Ethos™ Design NII Widespread Lavatory Faucet

### SPECIFICATIONS

- Warranty Lifetime Limited Warranty (Residential Use)  
One Year (Commercial Use)
- Material Brass
- Shipping Weight 13.2 lbs.
- Shipping Dimensions 21" L x 14-1/8" W x 3-3/4" H
- Maximum Flow Rate 2.2 gpm (8.3 lpm)



**TOTO**

*These dimensions and specifications are subject to change without notice*