

# TOTO®

## MS864114E / MS863113E

### Eco Supreme® One Piece Toilet, 1.28 GPF



- Elegant low profile one piece design
- E-Max® flushing system
- Wide, 2<sup>1</sup>/<sub>8</sub>" computer designed trapway
- Large water surface

Low profile one piece toilet. Low consumption (1.28Gpf/4.8Lpf) siphon jet flushing action.

Tank cover, fittings, polished chrome trip lever, and SoftClose® seat included.

■ **MS864114E**

Elongated toilet with SoftClose® seat

■ **MS863113E**

Round toilet with SoftClose® seat

□ **SS114**

SoftClose® Seat and lid gently close with a touch of a hand. Elongated, closed front seat with lid.

□ **SS113**

SoftClose® Seat and lid gently close with a touch of a hand. Round, closed front seat with lid.

Colors:

Standard #01 Cotton

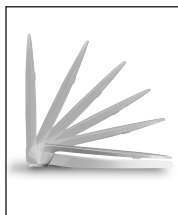
Trip Lever:

Standard #CP Chrome Plated

MS864114E - Eco Supreme® Toilet with SoftClose® Seat



**E-Max® Technology:** Quiet, powerful, commercial grade flushing performance.



Complete with SoftClose® toilet seat, or upgrade to a Washlet®.



**Fast Flush:** New, wide 3" flush valve is 125% larger than conventional 2" flush valves.

# MS864114E / MS863113E

## Eco Supreme® One Piece Toilet, 1.28 GPF

### ■ PERFORMANCE

The TOTO® E-Max® low consumption one piece toilet received high ratings during ANSI/ASME testing at independent laboratories. Designed with a powerful siphon jet flushing action, the bowl offers a large water surface and a 100% glazed trapway.

### ■ SPECIFICATIONS

Water Use: 1.28 Gpf/4.8Lpf  
 Flush System: Gravity Feed  
 (E-Max® Technology)  
 Min. Water Pressure: 8 psi (Static)  
 Water Surface: 10-5/16" x 8-1/4"  
 Trap Dia.: 2-1/8"  
 Rough-in: 12"  
 Trap Seal: 2-1/2"  
 Warranty: Five Year Limited Warranty  
 Material: Vitreous China

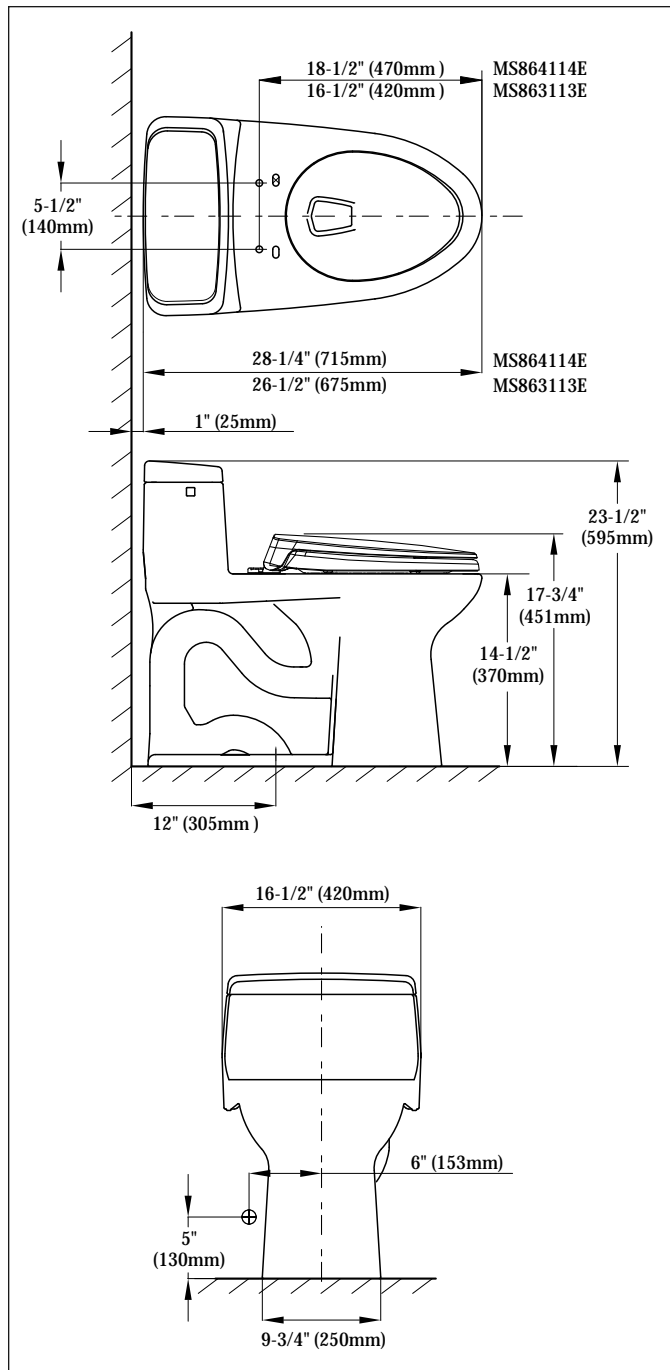
Shipping Weight: **MS864114E/MS863113E**  
 97.5 lbs.

Shipping Dimensions:  
**MS864114E/MS863113E**  
 30-7/16"L x 18-13/16"W  
 x 23-15/16"H

*Fixture dimensions and hydraulic performance meet or exceed ANSI/ASME standard A112.19.2 and CAN/CSA B45 requirements.*

*Listing / Approvals: c-UPC, City of Los Angeles, State of Massachusetts, and others.*

*These dimensions and specifications are subject to change without notice.*



**MS864114E / MS863113E - Eco Supreme™ Toilet**



TOTO U.S.A., INC. • 1155 Southern Road, Morrow, GA 30260  
 Tel. (888) 295-8134 • Fax. (770) 282-8701 • www.totousa.com  
 Printed in U.S.A. © TOTO LTD. 03/07 #A10390

Printed on recycled paper