

FEATURES

- Includes shower elbow and shower holder

COLORS/FINISHES

- #CP Polished Chrome

OPTIONAL

- TS100GR#CP 30" Slide Bar

CODES/STANDARDS

- Meets or exceeds ASME A112.18.1/CSA B125.1
- Certifications: IAPMO(cUPC), State of Massachusetts and others
- Code Compliance: UPC, IPC, NSPC, NPC Canada, and others



PRODUCT SPECIFICATION

Handshower set shall include handshower, holder and shower elbow. Handshower set shall also include hose and have a flow rate of 2.5 gallons per minute. Handshower set shall be TOTO Model TS960F2_____.

TS960F2

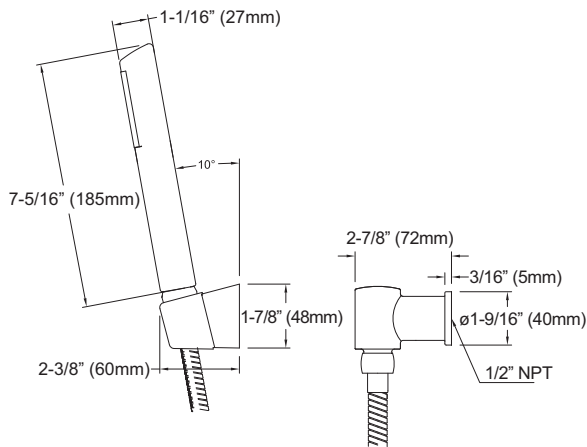
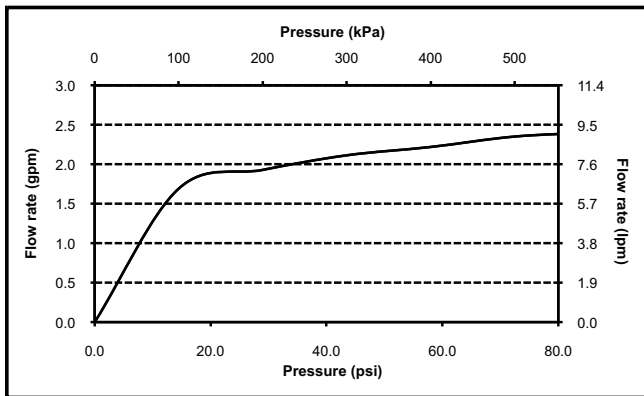
Soirée® Handshower Set

SPECIFICATIONS

- Warranty: Lifetime Limited Warranty (Residential Use)
One Year (Commercial Use)
- Material: Brass/Plastics
- Shipping Weight: 4.3 lbs.
- Shipping Dimensions: 12-1/2" L x 10-3/4" W x 3-1/2" H
- Maximum Flow Rate: 2.5 gpm (9.51 lpm)

INSTALLATION NOTES

Optional Accessories:
TS100GR Slide Bar sold separately.



TOTO®

These dimensions and specifications are subject to change without notice