



TSKA - Single Volume Control Valve

- Brass valve body
- Integral volume controller/diverter
- NPT connection
- 1/2" valve

■ **TSKA**  
Single Volume Control

■ **TSKD**  
Dual Volume Control



TSKD - Dual Volume Control Valve

**□ Note: Shower Trim Required**

TSKA Single Volume Control Valve requires Kiwami™ Renesse™ shower trim, model TS170C#CP or TS170C1#CP, sold separately.

TSKD Dual Volume Control Valve requires Kiwami™ Renesse™ shower trim, model TS170D#CP, sold separately.

# TSKA & TSKD

## Single (TSKA) & Dual (TSKD) Volume Control Valve

### DESIGN

Designed to work with TOTO's Kiwami™ Renesse™ shower sets.

### SPECIFICATIONS

Warranty: Lifetime Limited Warranty (Residential use)  
One Year (Commercial use)  
Material: Brass

Shipping Weight: 3.73 lbs.

Shipping Dimensions: 10-1/2"L x 7"W x 4-3/4"H

### CODES/STANDARDS

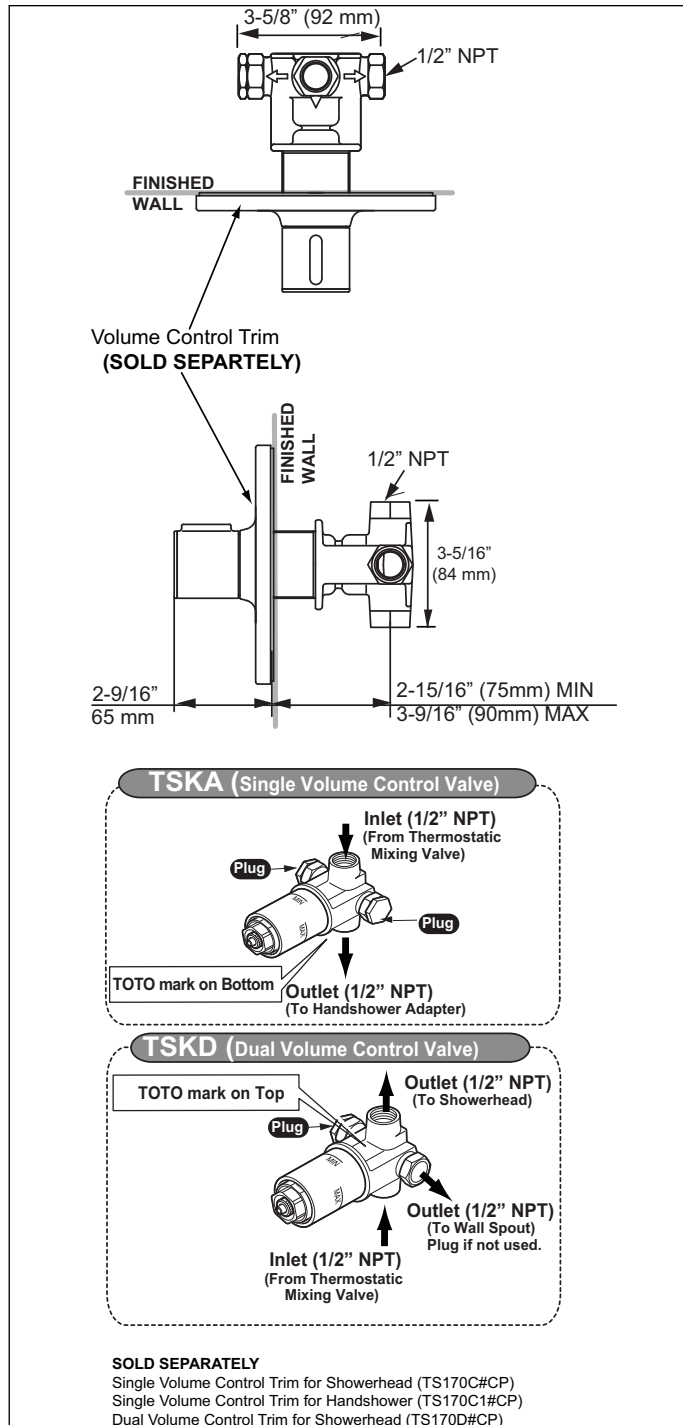
Complies with and exceeds the following standards:

ASME A112.18.1M / CSA B125-2005

Listed by:

IAPMO/c-UPC, and other municipalities

These dimensions and specifications are subject to change without notice.



TSKA (Single) & TSKD(Dual) Volume Control Valve



TOTO® U.S.A., INC. • 1155 Southern Road, Morrow, GA 30260

Tel. (888) 295-8134 • Fax. (800) 699-4889 • www.totousa.com

Printed in U.S.A. © TOTO® LTD. 01/06 #J10370

Printed on recycled paper