

To be specified:

Sensor Toilet Flush Valve

- ❑ Complete Set, Nickel Chrome Plated Finish
 - ❑ TET1LN32#CP (1-1/2" V.B.) - Left and Right Rough
 - Complete set supplied with:
 - ❑ Vacuum Breaker & Angle Stop Set - VB9CP-32
 - 1" Angle Stop - 10077t3
 - 1-1/2" Vacuum Breaker - 10075t1
 - Spud Nut & Escutcheon - 71051Nt6
 - Sweat Solder Kit - TH559EDVSJ3
- ❑ Valve only, Nickel Chrome Plated Finish
 - ❑ TET1LN#CP - Left and Right Rough

Z-4000-J - Adapter for Ground Joint Angle Stops

Meets the American Disabilities Act Guidelines and ANSI A117.1 requirements for people with disabilities.



TET1LN32#CP

AUTOMATIC FLUSHING SYSTEM

TOTO®, the world leader in advanced plumbing systems, provides sensor operated flush valves for facilities demanding the finest sanitation equipment for busy restrooms. "Hands-free" technology effectively reduces unsanitary conditions from unflushed fixtures.

SELF-GENERATING POWER SYSTEM

TOTO's new technology of automatic generator flush valves offer easy installation without the cost and downtime required to install power supplies and wiring for each valve. **A hydro-powered turbine charges the power supply during usage eliminating the need for a battery replacement or consumption of external power for up to 10 years.**

SUPERIOR PISTON VALVE

TOTO's piston valve technology is a marked improvement over traditional rubber diaphragm type valves. Longer piston travel and SELF-CLEANING 360° debris screen reduce common problems such as continuous running and flooding. The piston seat itself will not warp or mis-seal thus, significantly reducing repair and maintenance costs. A micro-porous cup seal keeps the piston self-lubricated upon each activation with the incoming water supply.

NEUTRAL ROUGH-IN

TOTO's sensor flush valve has neutral rough-in, it can be used as right or left rough-in with no modification.

For optimal performance, we recommend using our 1.28HET flushometers in conjunction with TOTO high efficiency urinals.

OPERATING PROCEDURE A sanitary environment without using the hands.

<p>1 Infrared Sensor</p>	<p>2 Flushing</p>	<p>3 Flushing Every 24 Hours</p>	<p>4 Manual Flushing Button</p>
---------------------------------	--------------------------	---	--

The infrared sensor detects a user sitting on the toilet seat, or standing.

When the user stays in place longer than 6 seconds then moves away, the controller sends a signal to the operating unit to automatically trip the flush valve.

If toilet is not used, the system automatically flushes every 24 hours as a maintenance and hygienic precaution.


Use the manual flush button for maintenance and/or emergencies.



TOTO'S ECOPOWER® FLUSH VALVES

Sensor High Efficiency Toilet (HET) Flush Valve, Exposed - 1.28 GPF

SPECIFICATIONS

Product	TET1LN#CP- Valve Only, Left and Right Rough, Chrome Plated Finish TET1LN32#CP- Complete Set (1-1/2" V.B.), Left and Right Rough, Chrome Plated Finish
Power supply	Hydro-Power Charge , 10 years based on 2,000 cycles per month (Backup battery: 4 years at 4,000 cycles per month without recharging)
Supply water pressure	35 psi - 125 psi* (Minimum Flowing Pressure and Flow Rate Requirement: 30 PSI flowing pressure with at least 22.5 gal/min flow rate)
Water supply pipe	1" NPT
Discharge quantity	Factory setting at 1.28 GPF/4.8 LPF
Ambient temperature	32°-104°F (0°-40°C)
Trap seal protection	Automatic flushing once every twenty-four (24) hours, if not used
Detection time	Factory setting at six (6) seconds minimum
Detection range	Self-adjusting to environment
Warranty	Limited three (3) year warranty on all component parts. Details available upon request.
Listings	 A.S.S.E. 1037

These dimensions and specifications are subject to change without notice.
*Water pressures over 80 psi are not recommended for most plumbing fixtures.

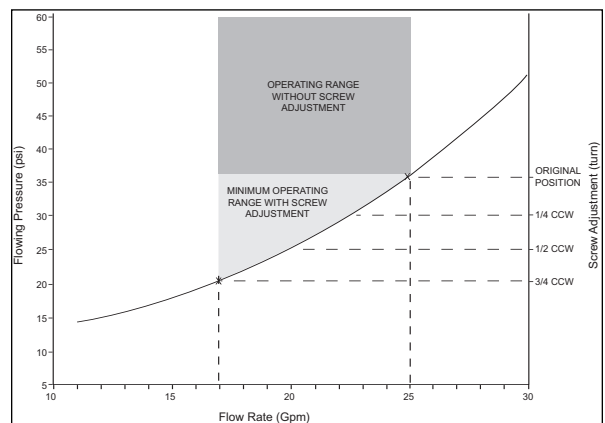
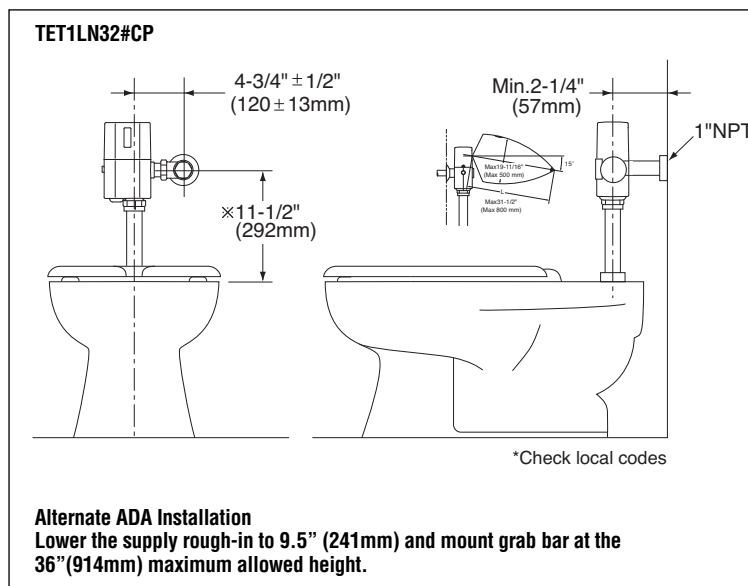
U.S. Patent Pending

SUGGESTED ENGINEERING SPECIFICATION:

TOTO® Model No. _____
Automatic infrared sensor activated, piston toilet flush valve.
Heavy-duty zinc die cast cover with nickel chrome finish.
Vandal resistant hex head screws. Automatic sensor adjustment
on installation. Manual override button. Piston valve and


solenoid with self-cleaning mechanism. Automatic flush every twenty four hours if not used. Angle stop and vacuum breaker included with accessories. Through the use of TOTO's EcoPower® Flush Valves, using the valve 2000 times a month will fully recharge the valve for up to 10 years.

DIAGRAM:



TOTO®

TOTO U.S.A., INC. • 1155 Southern Road, Morrow, GA 30260
Tel. (888) 295-8134 • Fax. (800) 699-4889 • www.totousa.com
Printed in U.S.A. © TOTO® U.S.A. 10/07 #H80145

Printed on recycled paper 

REV 10/07