

TOTO®

MS864114/MS863113

Supreme® One-Piece Toilet, 1.6GPF

FEATURES

- Power Gravity® flushing system, low consumption (1.6GPF/6.0LPF)
- One-piece decorative toilet with low-profile tank
- Elongated front bowl with SoftClose® seat (SS114) or round front bowl with SoftClose® seat (SS113)
- 12" Rough-in
- Chrome trip lever

MODELS

- MS864114
Elongated bowl with SoftClose seat (SS114)
- MS863113
Round bowl with SoftClose seat (SS113)

COLORS/FINISHES

- Standard
 - #01 Cotton
 - #03 Bone
 - #11 Colonial White
 - #12 Sedona Beige



POWER BY TOTO
GRAVITY

PRODUCT SPECIFICATION

The one-piece Power Gravity flushing system toilet shall be 1.6GPF/6.0LPF. Toilet shall be of elongated front bowl (MS864) or round front bowl (MS863) with a low-profile tank and SoftClose seat. Toilet shall have chrome trip lever. Toilet shall be TOTO Model MS864114_____ (elongated), MS863113_____ (round).

CODES/STANDARDS

- Meets and exceeds ASME A112.19.2/CSA B45.1
- Certifications: IAPMO(cUPC), State of Massachusetts, City of Los Angeles, and others
- Code compliance: UPC, IPC, NSPC, NPC Canada, and others



MS864114/MS863113

Supreme® One-Piece Toilet, 1.6GPF

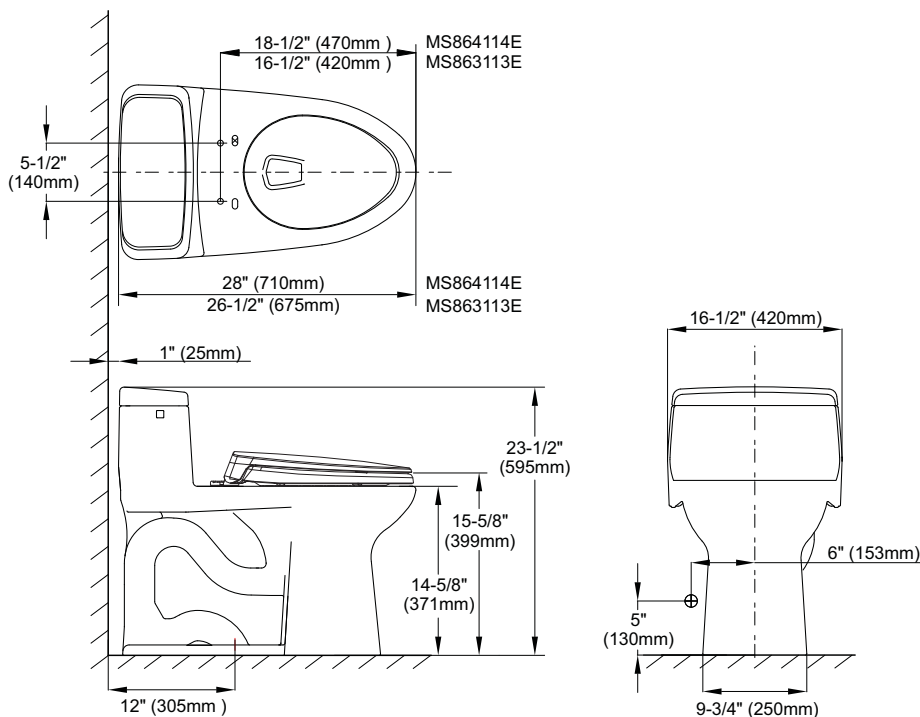
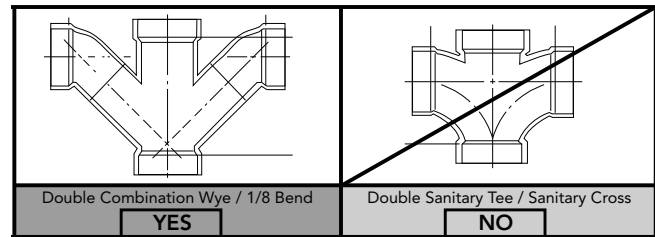
SPECIFICATIONS

- Water Use 1.6 GPF/6.0LPF
- Flush System Power Gravity®
- Min. Water Pressure 8 psi (static)
- Water Surface 10-1/4" x 8-1/4"
- Trap Diameter 2-1/8"
- Rough-in 12"
- Trap Seal 2-1/4"
- Warranty One Year Limited Warranty
- Material Vitreous china
- Shipping Weight MS864114E 89 lbs.
MS863113E 85 lbs.

- Shipping Dimensions 29-1/2" L x 18" W
x 19-1/4" H1 x 27-1/8" H2

INSTALLATION NOTES

Back-to-Back Toilet Installations:
TOTO recommends the use of a nationally listed, double sanitary tee-wye only, in vertical waste stacks, in accordance with the stipulations noted in the majority of nationally recognized plumbing codes.



These dimensions and specifications are subject to change without notice