

## Eco Promenade® Close Coupled Toilet, 1.28GPF

### FEATURES

- E-Max® flushing system, low consumption (1.28GPF/4.8LPF)
- Universal Height
- Round bowl
- Optional SanaGloss® ceramic glaze - SanaGloss glaze prevents debris, and mold from sticking to ceramic surfaces, leading to fewer chemicals and less water in cleaning.
- Decorative two-piece design with high-profile tank
- Chrome trip lever

### MODELS

- CST423EFG  
With SanaGloss ceramic glaze
- CST423EF  
Less SanaGloss

### COMPONENTS

- C423EFG  
Round bowl with SanaGloss
- C423EF  
Round bowl less SanaGloss
- ST424E  
Tank and cover only
- SS113 SoftClose® seat (sold separately)
- SS303 SoftClose® maple seat (sold separately)

### COLORS/FINISHES

- Standard
  - #01 Cotton
  - #03 Bone
  - #11 Colonial White
  - #12 Sedona Beige
  - #51 Ebony (not available with SanaGloss)

### PRODUCT SPECIFICATION

The two-piece low consumption E-Max flushing system toilet shall be 1.28GPF/4.8LPF. Toilet shall have high-profile tank, round front bowl and chrome trip lever. Toilet model CST423EFG shall have SanaGloss ceramic glaze. Toilet shall be TOTO Model CST423EF\_\_\_\_\_.



**SanaGloss**

**E-MAX™**  
FLUSHING SYSTEM BY TOTO®

### CODES/STANDARDS

- Meets and exceeds ASME A112.19.2/CSA B45.1
- Certifications: IAPMO(cUPC), EPA Watersense, State of Massachusetts, City of Los Angeles, and others
- Code compliance: UPC, IPC, NSPC, NPC Canada, and others
- Legislative compliance: California AB715, California Green Building Code, City of Los Angeles Water Efficiency Ordinance



# CST423EF(G)

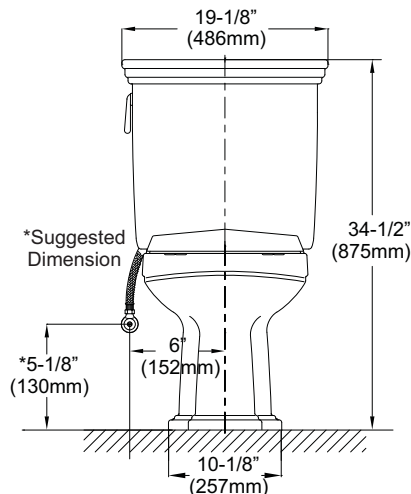
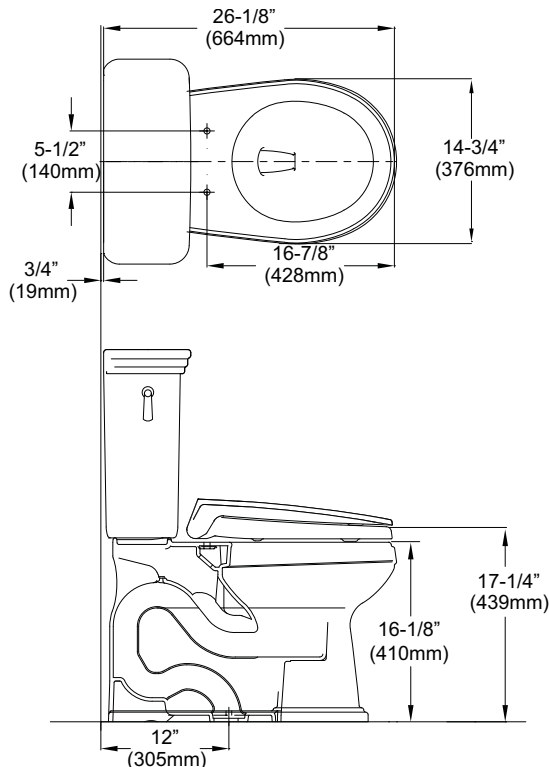
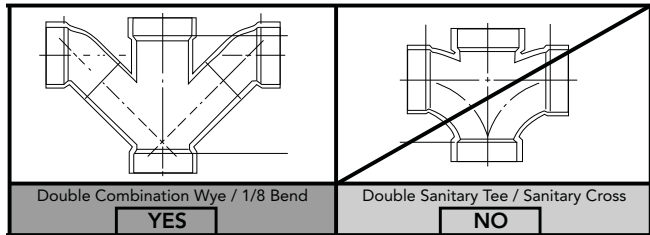
## Eco Promenade® Close Coupled Toilet, 1.28GPF

### SPECIFICATIONS

- Water Use 1.28 GPF/4.8LPF
- Flush System E-Max
- Min. Water Pressure 8 psi (static)
- Water Surface 8-7/8" x 6-3/8"
- Trap Diameter 2-1/8"
- Rough-in 12"
- Trap Seal 2-1/4"
- Warranty One Year Limited Warranty
- Material Vitreous china
- Shipping Weight C423EF - 54lbs  
ST424E - 41.5lbs
- Shipping Dimensions C423EF(G)  
28" L x 10" W<sup>1</sup> x 16-1/4" W<sup>2</sup>  
x 17-1/4" H  
  
ST424E  
20-1/2" L x 9-1/2" W  
x 21-3/4" H

### INSTALLATION NOTES

Back-to-Back Toilet Installations:  
TOTO recommends the use of a nationally listed, double sanitary tee-wye only, in vertical waste stacks, in accordance with the stipulations noted in the majority of nationally recognized plumbing codes.



**TOTO**

*These dimensions and specifications are subject to change without notice*