



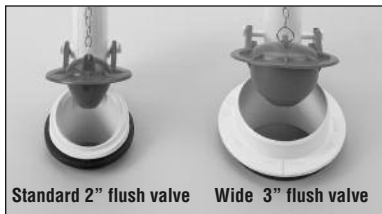
CST743S - Drake Close Coupled Toilet with SS113 - SoftClose Seat



G-Max® Technology: Quiet, powerful, commercial grade flushing performance.



Choose a SoftClose toilet seat, or upgrade to a Washlet.



Fast Flush: New, wide 3" flush valve is 125% larger than conventional 2" flush valves.

- Contemporary, high profile design
- G-Max® Technology
- Powerful, quiet flush every time
- Wide, 2-1/8" computer designed trapway
- Large water surface

High profile close coupled toilet. Low consumption (6 Lpf/1.6 Gpf) siphon jet flushing action.

Tank cover, fittings, chrome plated trip lever, less seat.

■ **CST743S**
Round, 12" rough-in, less seat.

□ **C743E**
Round bowl only, 12" rough-in.

□ **ST743S**
Drake tank and cover only. Complete with tank trim and coupling components. Left-hand trip lever.

□ **ST743SB**
Drake tank and cover only. Complete with tank trim and coupling components. Bolt down lid.

□ **ST743SD**
Drake tank and cover only. Complete with tank trim and coupling components. Insulated tank.

□ **ST743SDB**
Drake tank and cover only. Complete with tank trim and coupling components. Bolt down lid and insulated tank.

□ **ST743SR**
Drake tank and cover only. Complete with tank trim and coupling components. Right-hand trip lever.

□ **SS113**
SoftClose: Seat and lid gently close with a touch of a hand. Elongated, closed front seat with lid.

Colors:

Standard #01 Cotton, #11 Colonial White
#12 Sedona Beige, #03 Bone
#51 Ebony

Trip Lever:

Standard #CP Chrome Plated
Optional See price book for additional finishes

TOTO USA, Inc. recommends the use of a nationally listed, double sanitary tee-wye only, in vertical waste stacks, in accordance with the stipulations noted in the majority of nationally recognized plumbing codes.

CST743S

Drake® Close Coupled Toilet, 1.6 GPF

■ PERFORMANCE

The TOTO G-Max® low consumption toilets received high ratings during ANSI/ASME and CSA testing at independent laboratories. Designed with a powerful siphon jet flushing action, the toilet offers a large water surface and a glazed trapway.

■ SPECIFICATIONS

Water Use: 1.6 Gpf / 6.0 Lpf
 Flush System: Gravity Feed (G-Max System)
 Min. Water Pressure: 8 psi
 Water Surface: 10-1/4" x 8-1/2"
 Trap Diameter: 2-1/8"
 Rough-in: 12" rough-in
 Trap Seal: 2-3/8"
 Warranty: One Year Limited Warranty
 Material: Vitreous china

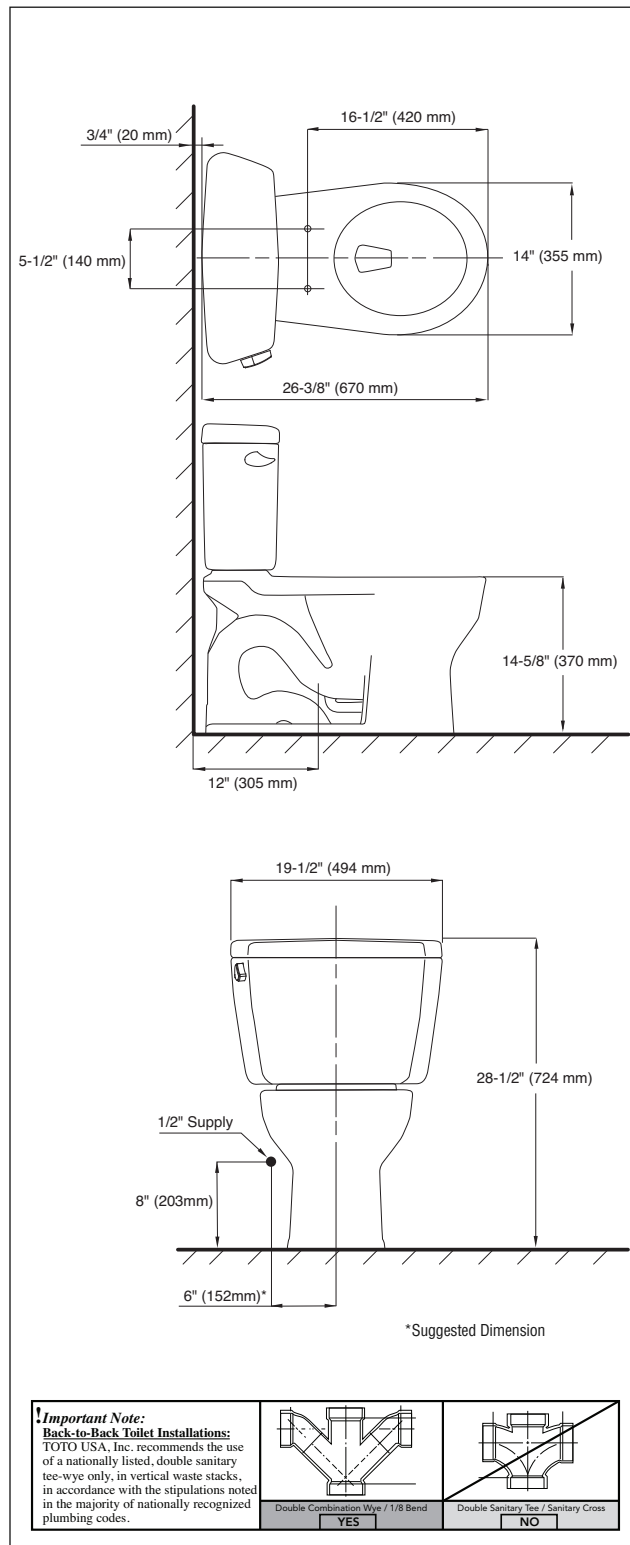
Shipping Weight: **C743E** 53 lbs.
ST743S 35 lbs.

Shipping Dimensions: **C743E** 27-3/4"L x 15"W¹
 x 10-1/4"W² x 15-3/4"H
ST743S 20-1/8"L x 8-1/4"W
 x 15-1/2"H
ST743SR 20-1/8"L x 8-1/4"W
 x 15-1/2"H

Fixture dimensions and hydraulic performance meet or exceed ANSI/ASME standard A112.19.2M and CAN/CSA B 45 requirements.

Listing and approval: IAPMO/UPC, CSA, City of Los Angeles, State of MA, and others

These dimensions and specifications are subject to change without notice.



CST743S - Drake Close Coupled Toilet



TOTO U.S.A., INC. • 1155 Southern Road, Morrow, GA 30260
 Tel. (888) 295-8134 • Fax. (770) 282-8701 • www.totousa.com
 Printed in U.S.A. © TOTO LTD. 10/02 #A10110

Printed on recycled paper

REV 03/09