



# Installation and Owner's Manual

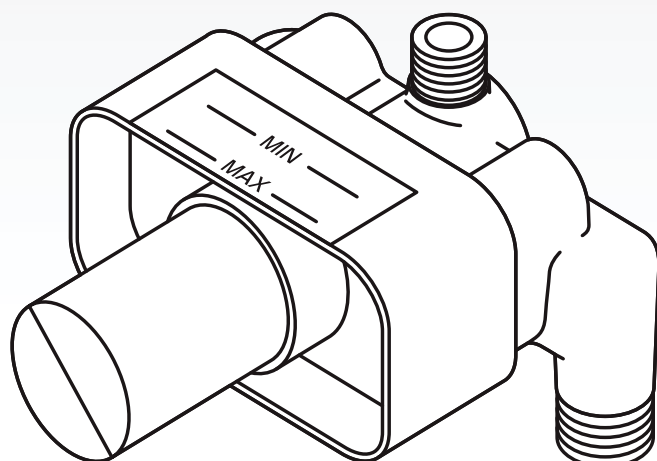
## SMA Thermostatic Mixing Valve TSKT

**RENESE<sup>TM</sup>**

English

Español

Français



### Contents

<b>Important Safeguards</b> -----	<b>1</b>
<b>Specifications</b> -----	<b>2</b>
<b>Before Installation</b> -----	<b>2</b>
<b>Set-up Drawing</b> -----	<b>3</b>
<b>Components</b> -----	<b>3</b>
<b>Installation Procedure</b> -----	<b>4~8</b>
<b>Before use</b> -----	<b>8~9</b>
<b>Set-up Options</b> -----	<b>10</b>
<b>Replacement Parts</b> -----	<b>10</b>
<b>Warranty</b> -----	<b>11</b>



● Thank you for your recent purchase of the TOTO product . Please read the enclosed information to ensure the safe use of your product





# Important Safeguards

(For your safety please follow the instructions below)


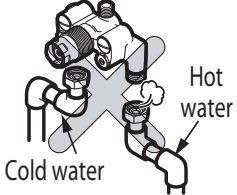

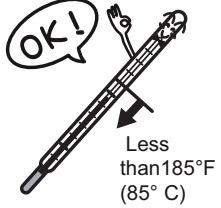

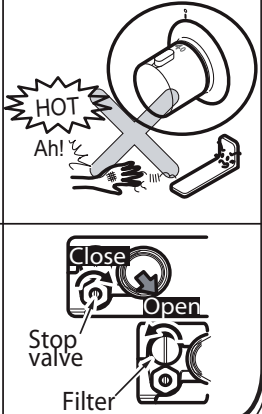
Read the "Important Safeguards" section thoroughly before installing the product.

- The following symbols indicate safe and proper use of the product. Failure to observe them may result in injury or property damage. The symbols and their meanings are as follows.
- The following table demonstrates the use of safety symbols in this manual.


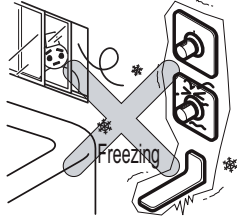
 <b>Warning</b>	Failure to observe this symbol may result in serious injury.
 <b>Caution</b>	Failure to observe this symbol may result in injury or property damage.

	 Absolutely Do NOT. Do not disassemble
	 Mandatory!

## Warning

 Do Not	Do not switch the hot and cold water supply lines. Do not use steam for hot waer supply.  You may be scalded with hot water when you expect cold water.	
 Do not disassemble	Do not use hot water supply that is higher than 185°F (85°C). Do not use steam as hot water supply.  If water is hotter than 185°F is used. If it is broken, property damage, scalding, and other injuries may occur.	
 Mandatory	The valve should be calibrated by the installer so that water temperature will be fixed 104°F (40°C) at the mark.  Scalding may occur if the temperature is not checked and valve is not calibrated as necessary.  If you want to clean the filters, shut off the shut-off valve first and do not open the caps abruptly.  If you don't let hot water residue in the filter cool down for a while, you may get burned while removing the filter from HOT side.	

## Caution

 Do Not	Do not use the product at temperature exceeding what local codes allow.  If parts are damaged, property damage, scalding and other injuries may occur.	
---	--	---

# Specification

Water Supply Pressure	Minimum pressure	20 psi (0.15MPa)(flowing pressure)
	Maximum pressure	125 psi (0.75MPa)(static) <small>Check local building code</small>
Supplied Water Temperature		Less than 185°F (85°C)
Water Quality		Water that meet National/Primary drinking water regulation
Ambient Temperature		34 - 104°F (2~40°C)
Water Supply Connection		1/2" NPT
Flow Rate		Max. 2.5 gallons per minutes (9.5L/min)

Depending on the model, some specifications may differ.

# Before Installation

- Observe all local plumbing codes.
  - Make sure water supply is shut off.
  - Read these instructions carefully to ensure proper installation.
  - Check to make sure you have the following parts indicated below.
- If the water supply pressure is higher than 125psi (0.86MPa), you should buy a reducing valve to reduce the pressure to the range of 0.2-0.3MPa (0.2-0.3MPa).  
To use the faucet comfortably, the recommended pressure is about 30-45 psi (0.2-0.3MPa).
  - To prevent being scalded due to malfunction, the cold water supply pressure must be higher than the hot water pressure, or you can make them equal. In addition, if you increase the pressure of the hot water, it still must be lower than that of cold water supply side.
  - To prevent being scalded due to wrong operation, it is recommended the hot water supply temperature is 140°F (60°C).
  - For ease of water flow adjustment and inspection with tools, you should prepare an extra stop valve.

### Please find in the package:

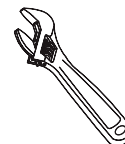


Installation & Owner's manual

### Tools you will need for installation



Pipe Tape



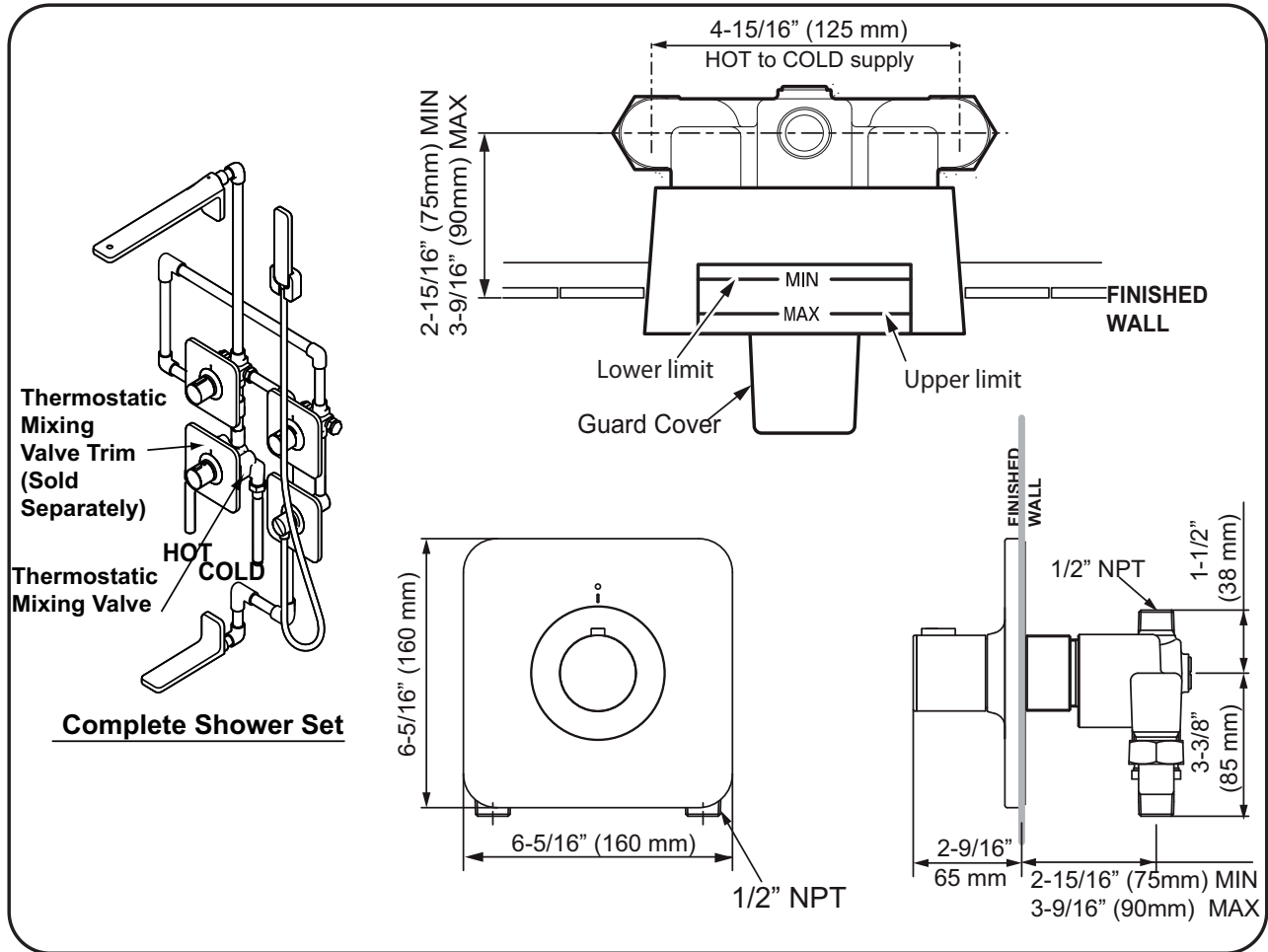
Adjustable Wrench



Allen Wrench

# Set-Up Drawing

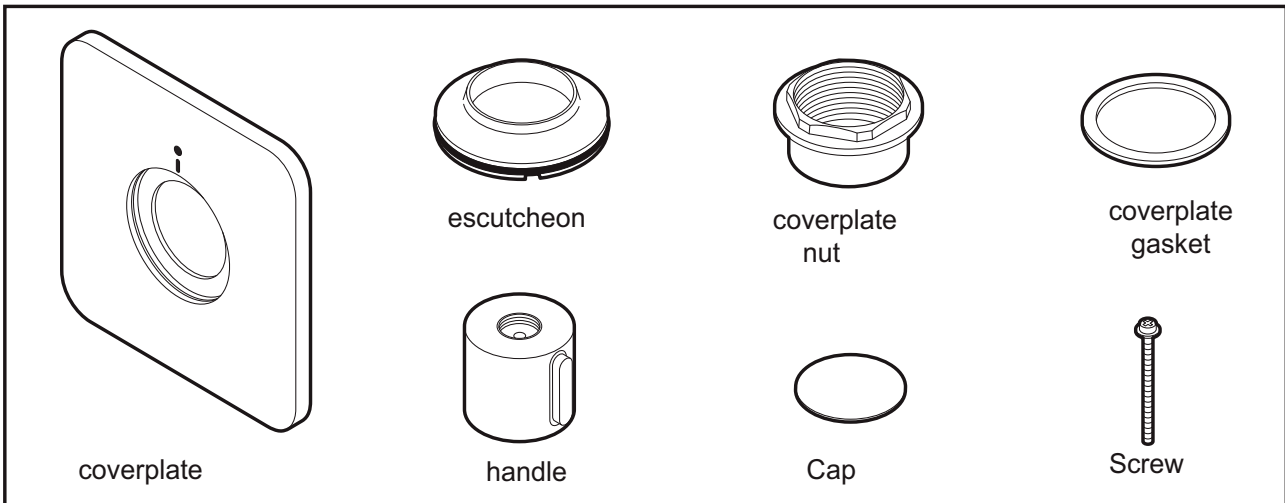
\*Some parts may differ from the illustration depending on the model.



ENGLISH

# Components

Check that you have the following parts.

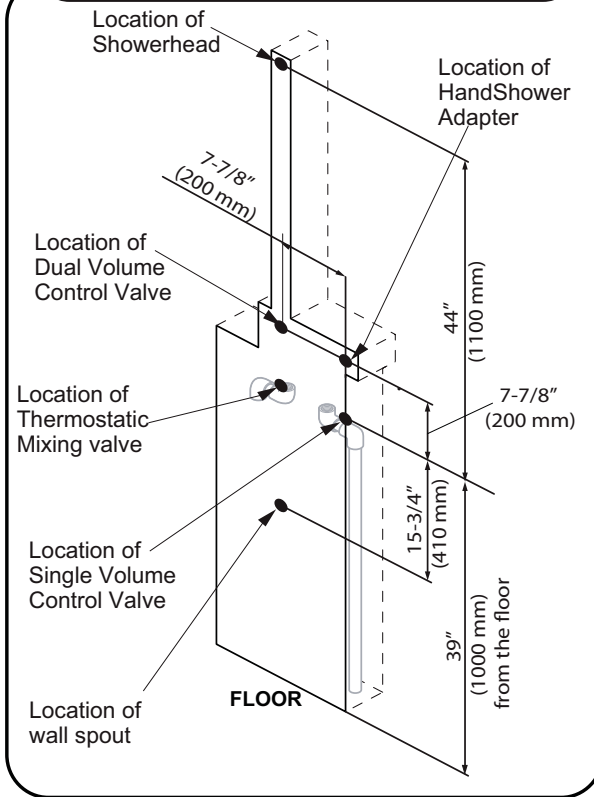


\*Some parts may differ from the figures depending on the model.

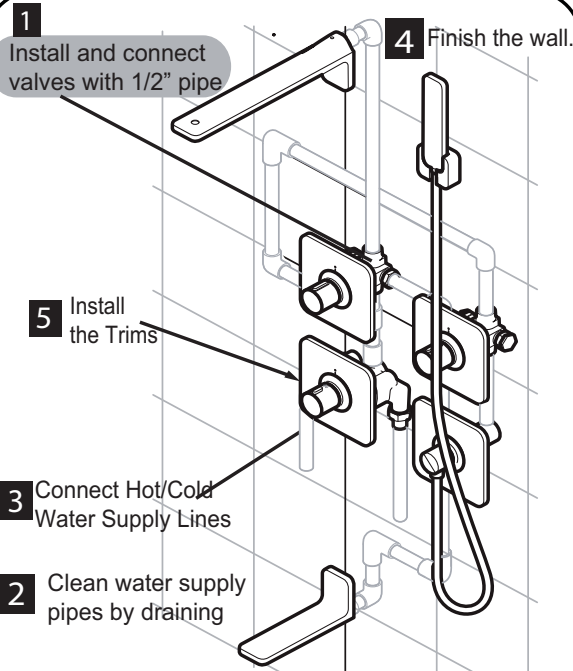
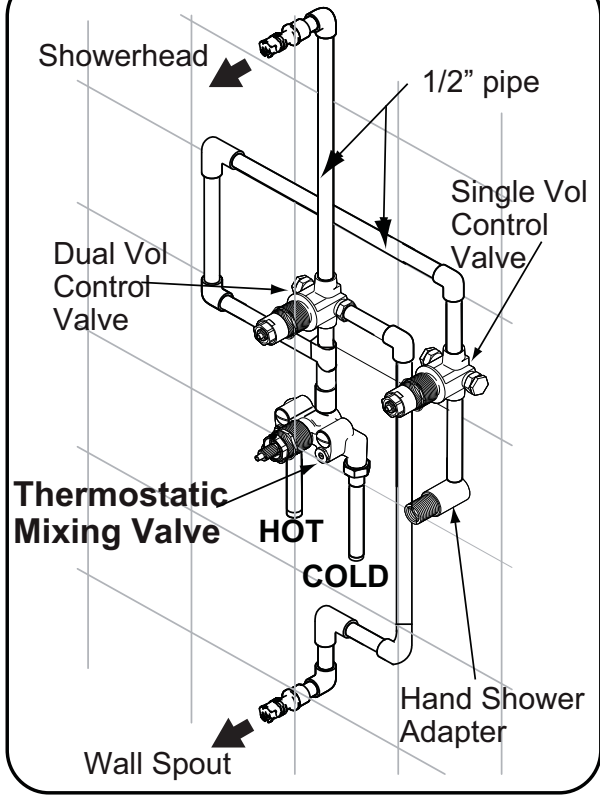
# Installation Procedure

Information below should be observed in order to properly install the shower.

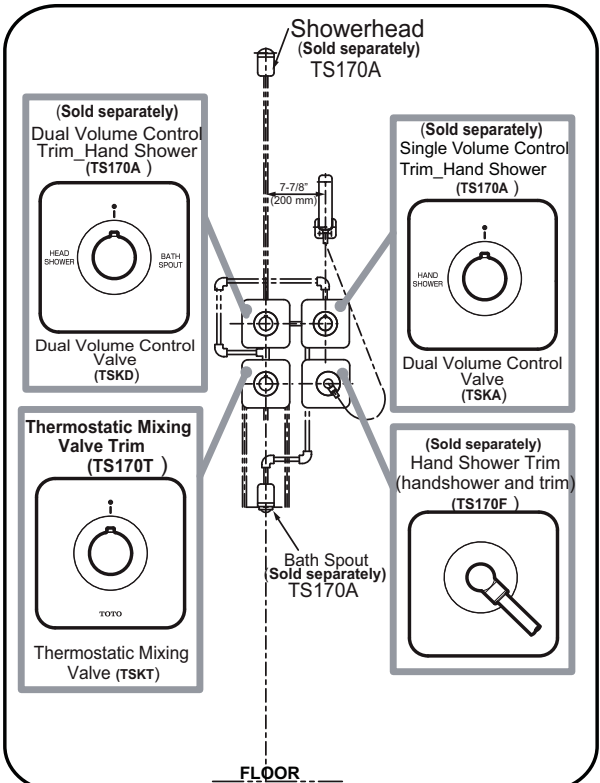
## Preparation



## Plumbing Setup



Refer to the respective manual for each item for Step 1 to Step 4.



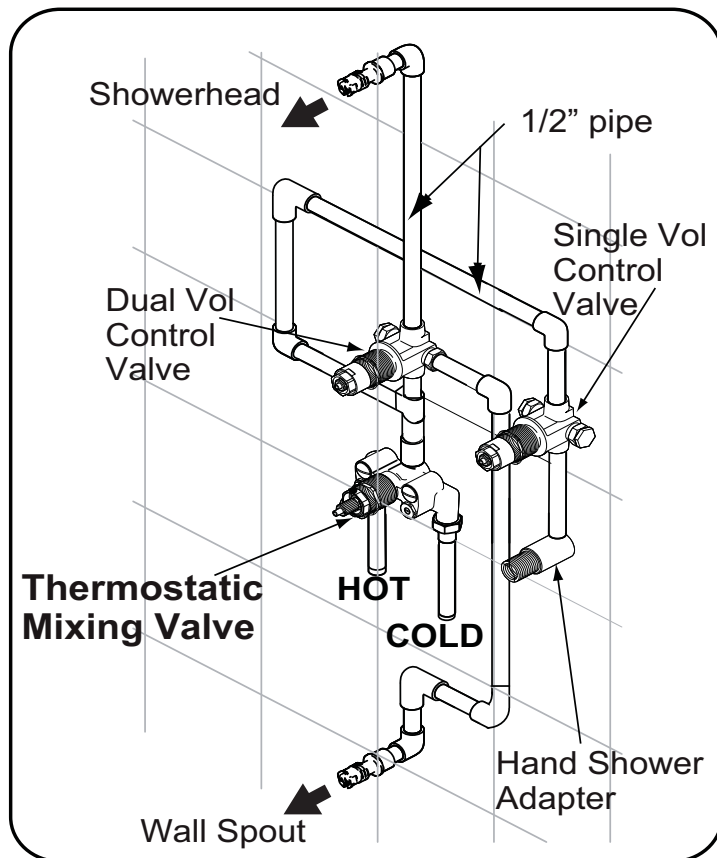
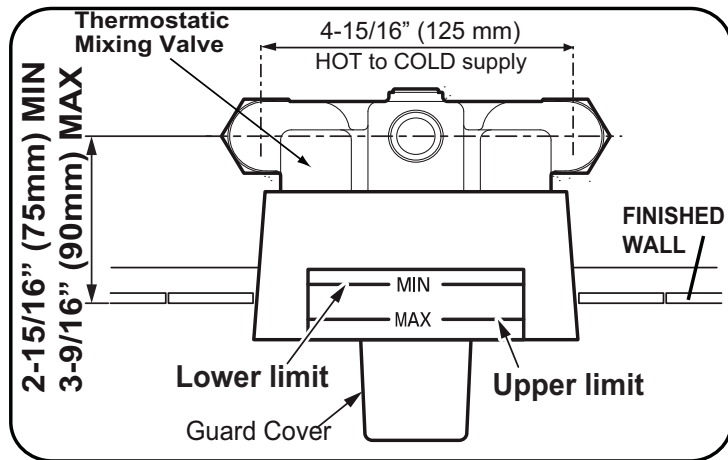
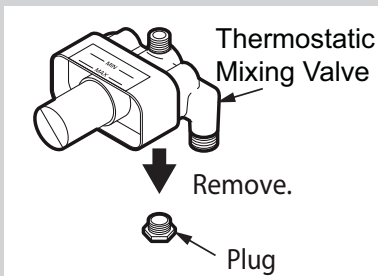
ENGLISH

# 1) Installation of the valve (Rough-in and Connections)

- 1) Confirm the rough-in provided and install the valve.
- 2) Depending on the Shower Setup Options (Refer to the Setup Options page), connect all the valves (Thermostatic Mixing Valve, Volume Control Valve(s) and Handshower Adapter (They all are sold separately)).

### Caution

- Prepare all tools and plumbing accessories for all the connections of the Shower.
- Be sure to use the pipe seal for all pipe connections.
- Do not lose the guard cover. Make use of it to confirm the rough-in and to protect the valve.
- Remove the plug if wall spout will be used. If not, leave the outlet plugged.



## 2) Installation of the Valve (Water Supply Lines)

3) Before installation, **dirt and debris in the Hot and Cold water supply lines must be washed out entirely.**

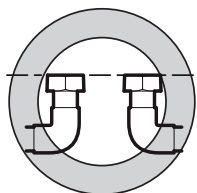
4) Connect the Hot and Cold Water Supply Lines.

① Install cold/hot water supply lines.

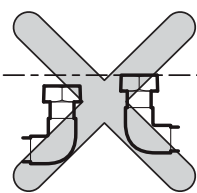
② Connect the union (provided in the package) to Hot and Cold Water Supply Lines.

### Caution

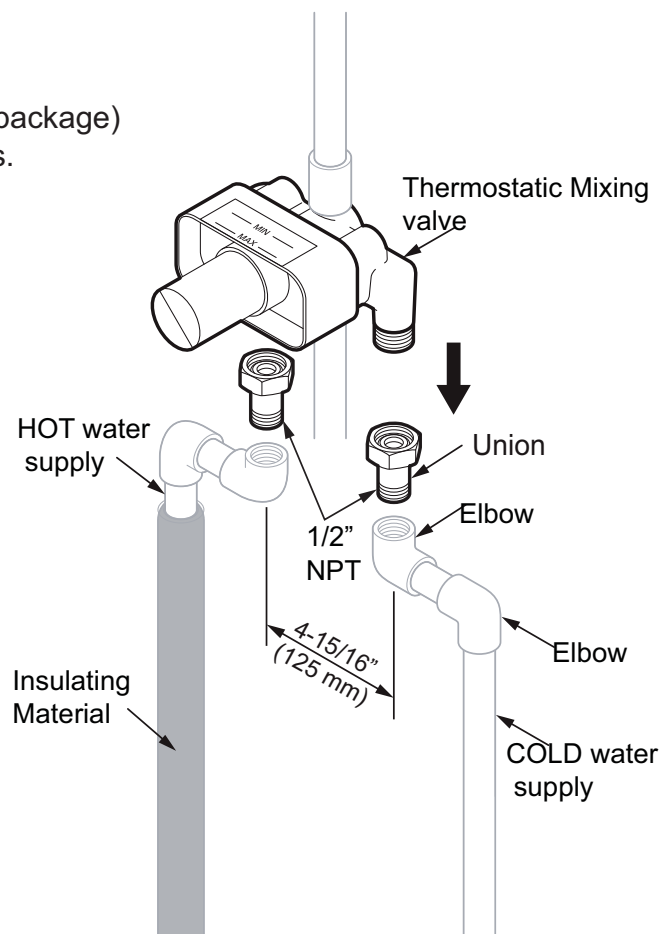
- Wrap the insulating material around the HOT water Supply Pipe
- Attach both unions provided so that supply lines will be at the same level.



GOOD



BAD



③ Fasten the thermostatic mixing valve with the nuts of unions.

④ After connecting the supply pipes, **do the water test by running the water in the Shower set and confirm that there is no leakage in all joints.**

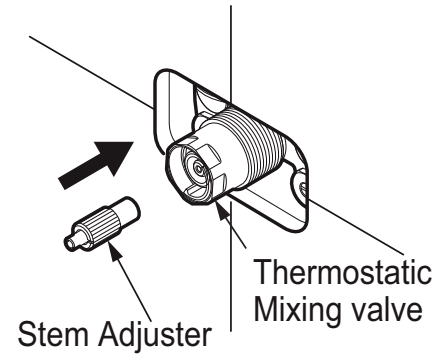
### 3) Installation of the Valve

(Stem Adapter, Limiter Collar and Temperature Limiter)

#### Caution

Trim installation should not be begun until the followings are confirmed:

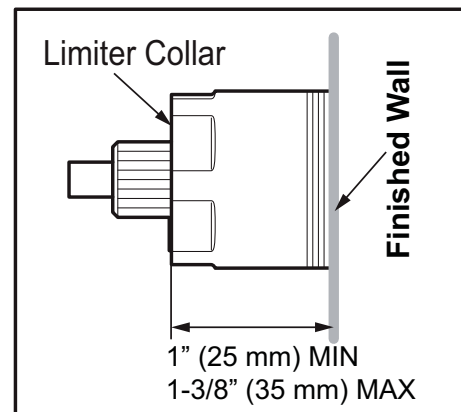
- 1) Checking the water flow
- 2) Checking the filters



- ① Install the stem adapter into the valve as shown.

Confirm that distance between Finished Wall and top of Limiter Collar is between 1" (25 mm) and 1-3/8" (35 mm).

If not, Spacer should be removed as follow:



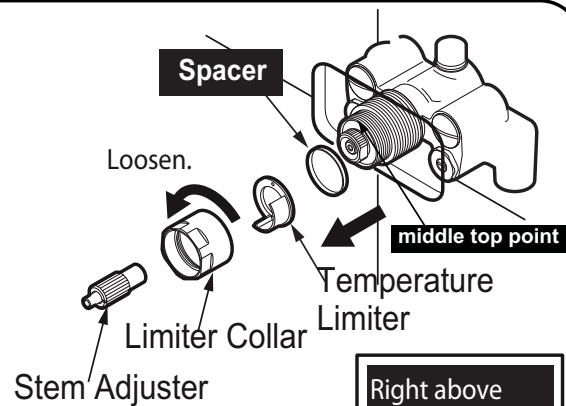
#### How to remove the Spacer

1) Take out the Stem Adapter, unscrew the Limiter Collar and pull out the Temperature Limiter.

2) Then, Remove the Spacer as shown.

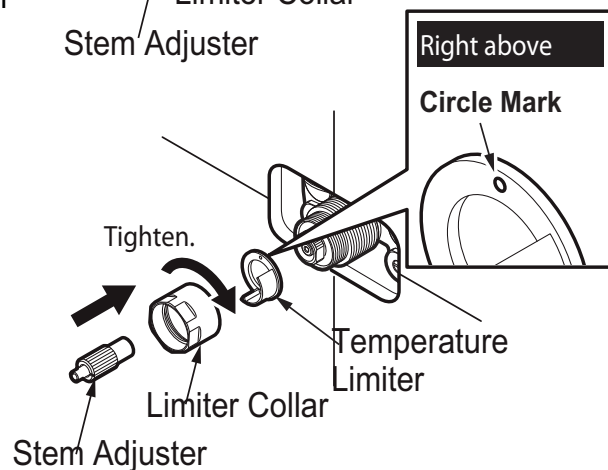
3) Attach the Temperature Limiter, making sure that Circle Mark on the Limiter align with middle top point of the valve.

4) Then, tighten the Limiter Collar and reattached the Stem Adapter.



#### Caution

- 1) Be sure to reattach the Temperature Limiter.
- 2) Tighten the Limiter Collar firmly.
- 3) Make sure the Circle Mark points upward.

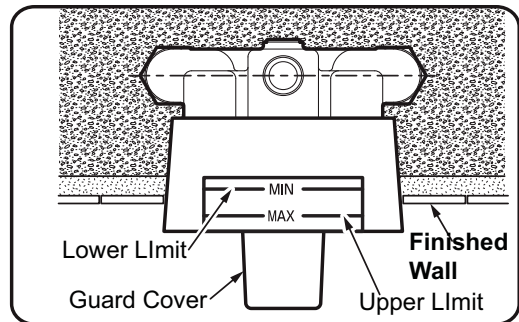




## 4) Installation of the Valve (the Finished Wall)

1) Fill the installation valve opening with plumber's putty or alike.

2) Again, make sure with the guard cover provided that distance between Finished Wall surface and valve falls between MIN and MAX.

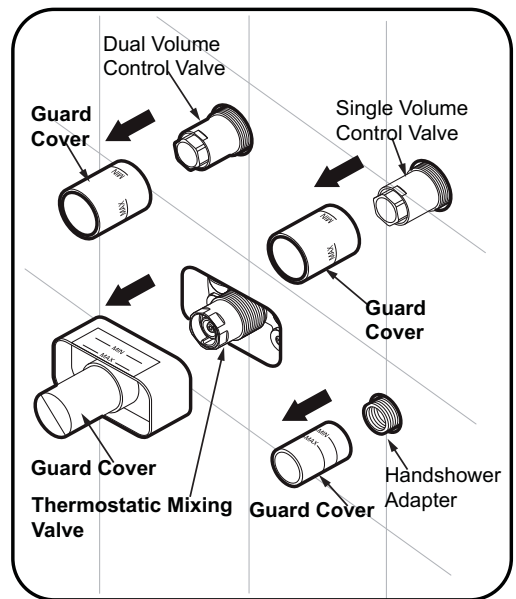


**If the distance is beyond the MIN and MAX limit, valve trim cannot be mounted properly.**

**Must confirm wall, both rough and finished, thickness and distance to the valve before installing the valve.**

### Caution

Leave the guard covers on all the valves till the tile work is completed.



ENGLISH

## Before Use (after trims are installed)

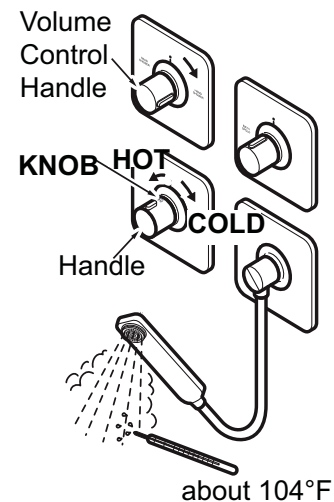
### Confirm the temperature of the water output.

1) Set the temperature control handle in the Mark at "104" and confirm that output temperature is 104°F.

2) If temperature output is not 104°F, following adjustment should be done.

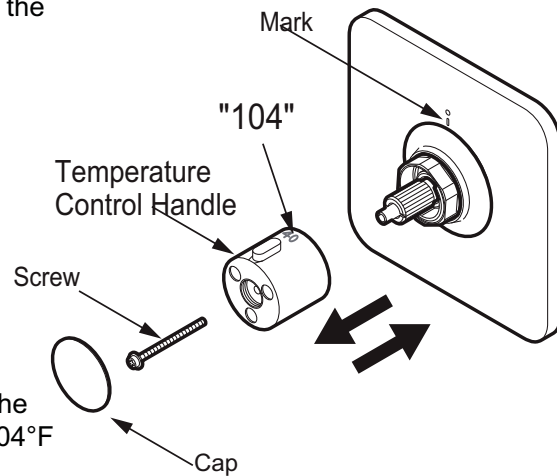
**To prevent scalding, the recommended hot water temperature is 140°F (60°).**

Confirming the outlet temperature and calibrating the valve is required to minimize the risks of scalding. After calibrated, the outlet temperature must read 104°F while the temperature control handle knob is in the middle.



**Please see following instruction on how to adjust the output temperature if it is shown incorrectly in the previous step.**

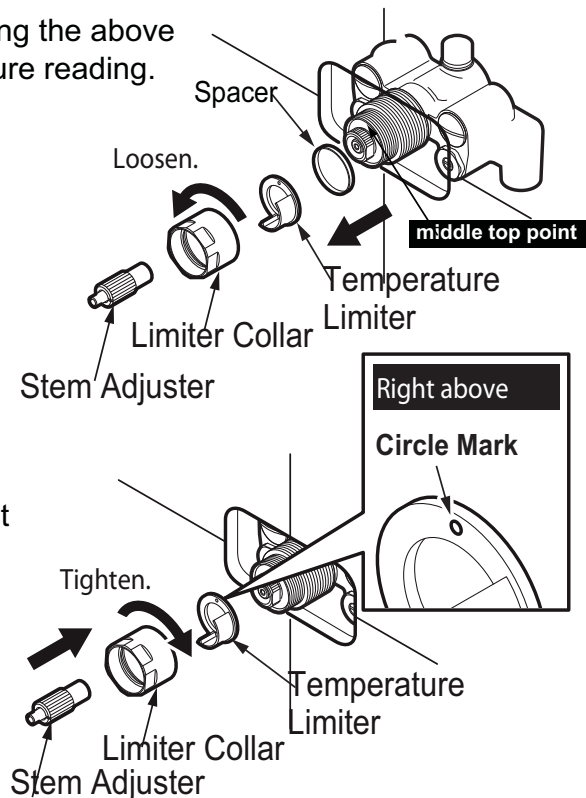
- 1) Keep turning the temperature control handle to the Hot side while reading a temperature indicator. Stop turning it when the indicator reads 104°F.
- 2) Let the water run while removing the temperature control handle by taking off the cap and unscrewing the screw.
- 3) Make sure that "104" on the handle is in line with Mark on the coverplate and reattach the temperature control handle.
- 4) Put the screw and cap on and, again, confirm the output water temperature, making sure that it is 104°F in the middle.



### Calibrating the valve

calibrating the valve will be required if following the above instructions do not result in correct temperature reading.

- 1) Shut of the HOT and Cold water supply at the service stops.
- 2) Remove the Stem Adjuster, Limiter Collar and temperature limiter.
- 3) Check to make sure that Circle Mark on the temperature limiter align with middle top point of the valve.
- 4) Reinstall the limiter and collar and turn on the water supply.
- 5) Turn the water on and let it run for about 1 minute. Place a thermometer in the water stream while truning the handle to the HOT side. Stop when it reads 104°F (40°C).
- 6) Let the water run at 104°F (40°C) water temperature and then install the handle and cap.



**NOTE: If the valve turned accidently, repeat the calibration procedure.**

# Set-Up Options

**1) Complete Set**

**2) w/o Handshower**

**3) w/o wall spout**

**4) Showerhead only**

Product Description	Part Number
Showerhead	TS170A#CP
Bath Spout	TS170E#CP
Hand Shower Trim	TS170F#CP
Single Volume Control Trim for Hand Shower	TS170C1#CP
Hand Shower Adapter	TSKH
Dual Volume Control Trim	TS170D#CP

Product Description	Part Number
Thermostatic Mixing Valve Trim	TS170T#CP
SMA Thermostatic Mixing Valve	TSKT
Single Volume Control Trim for Head Shower	TS170C#CP
Single Vol Control Valve	TSKA
Dual Volume Control Valve	TSKD

#CP = Polished Chrome

ENGLISH

# Replacement Part

No.	Description
1	ADAPTER SCREW SET
2	STEM ADAPTER
3	LIMITER COLLAR
4	TEMPERATURE LIMITER
5	SPACER
6	THERMO VALVE RETAINER NUT
7	O RING
8	THREMO VALVE ASSEMBLY
9	SHUT-OFF
10	FILTER/CHECK VALVE
11	NUT SET

# Warranty

1. TOTO® warrants its residential faucets and bathroom accessories ("Product") to be free from defects in materials and workmanship during normal use when properly installed and serviced, for the lifetime of the Product from date of purchase. This limited warranty is extended only to the ORIGINAL PURCHASER of the Product and is not transferable to any third party, including but not limited to any subsequent purchaser or owner of the Product. This warranty applies only to TOTO Product purchased and installed in North, Central and South America.

2. TOTO's obligations under this warranty are limited to repair, replacement or other appropriate adjustment, at TOTO's option, of the Product or parts found to be defective in normal use, provided that such Product was properly installed, used and serviced in accordance with instructions. TOTO reserves the right to make such inspections as may be necessary in order to determine the cause of the defect. TOTO will not charge for labor or parts in connection with warranty repairs or replacements. TOTO is not responsible for the cost of removal, return and/or reinstallation of the Product.

3. This warranty does not apply to the following items:

- a. Damage or loss sustained in a natural calamity such as fire, earthquake, flood, thunder, electrical storm, etc.
- b. Damage or loss resulting from any accident, unreasonable use, misuse, abuse, negligence, or improper care, cleaning, or maintenance of the Product.
- c. Damage or loss resulting from sediments or foreign matter contained in a water system.
- d. Damage or loss resulting from improper installation or from installation of the Product in a harsh and/or hazardous environment, or improper removal, repair or modification of the Product.
- e. Damage or loss resulting from electrical surges or lightning strikes or other acts which are not the fault of TOTO or which the Product is not specified to tolerate.
- f. Damage or loss resulting from normal and customary wear and tear, such as gloss reduction, scratching or fading over time due to use, cleaning practices or water or atmospheric conditions, including but not limited to, the use of bleach, alkali, acid cleaners, dry (powder) cleaners or any other abrasive cleaners or the use of metal or nylon scrubbers.

4. In order for this limited warranty to be valid, proof of purchase is required. TOTO encourages warranty registration upon purchase to create a record of Product ownership at <http://www.totousa.com>. Product registration is completely voluntary and failure to register will not diminish your limited warranty rights.

5. If the Product is used commercially or is installed outside of North, Central or South America, TOTO warrants the Product to be free from defects in materials and workmanship during normal use for one (1) year from the date of installation of the Product, and all other terms of this warranty shall be applicable except the duration of the warranty.

6. THIS WARRANTY GIVES YOU SPECIFIC LEGAL RIGHTS. YOU MAY HAVE OTHER RIGHTS WHICH VARY FROM STATE TO STATE, PROVINCE TO PROVINCE OR COUNTRY TO COUNTRY.

7. To obtain warranty repair service under this warranty, you must take the Product or deliver it prepaid to a TOTO service facility together with proof of purchase (original sales receipt) and a letter stating the problem, or contact a TOTO distributor or products service contractor, or write directly to TOTO U.S.A., INC., 1155 Southern Road, Morrow, GA 30260 (888) 295 8134 or (678) 466-1300, if outside the U.S.A. If, because of the size of the Product or nature of the defect, the Product cannot be returned to TOTO, receipt by TOTO of written notice of the defect together with proof of purchase (original sales receipt) shall constitute delivery. In such case, TOTO may choose to repair the Product at the purchaser's location or pay to transport the Product to a service facility.

THIS WRITTEN WARRANTY IS THE ONLY WARRANTY MADE BY TOTO. REPAIR, REPLACEMENT OR OTHER APPROPRIATE ADJUSTMENT AS PROVIDED UNDER THIS WARRANTY SHALL BE THE EXCLUSIVE REMEDY AVAILABLE TO THE ORIGINAL PURCHASER. TOTO SHALL NOT BE RESPONSIBLE FOR LOSS OF THE PRODUCT OR FOR OTHER INCIDENTAL, SPECIAL OR CONSEQUENTIAL DAMAGES OR EXPENSES INCURRED BY THE ORIGINAL PURCHASER, OR FOR LABOR OR OTHER COSTS DUE TO INSTALLATION OR REMOVAL, OR COSTS OF REPAIRS BY OTHERS, OR FOR ANY OTHER EXPENSE NOT SPECIFICALLY STATED ABOVE. IN NO EVENT WILL TOTO'S RESPONSIBILITY EXCEED THE PURCHASE PRICE OF THE PRODUCT. EXCEPT TO THE EXTENT PROHIBITED BY APPLICABLE LAW, ANY IMPLIED WARRANTIES, INCLUDING THAT OF MERCHANTABILITY OR FITNESS FOR USE OR FOR A PARTICULAR PURPOSE, ARE EXPRESSLY DISCLAIMED. SOME STATES DO NOT ALLOW LIMITATIONS ON HOW LONG AN IMPLIED WARRANTY LASTS, OR THE EXCLUSION OR LIMITATION OF INCIDENTAL OR CONSEQUENTIAL DAMAGES, SO THE ABOVE LIMITATION AND EXCLUSION MAY NOT APPLY TO YOU.

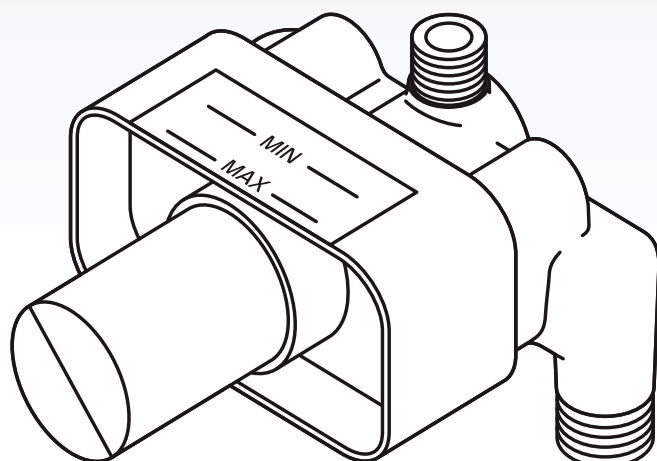
---

**TOTO**®

©2013 TOTO USA, Inc. á 1155 Southern Road, Morrow GA 30260

Phone (888)-295-8134 Fax (800)-699-4889 [www.totousa.com](http://www.totousa.com) 10/2013

TOTO USA, INC. is a wholly owned subsidiary of TOTO Ltd. 0GU3034

**TOTO®****Manual del propietario y de instalación****Válvula de mezcla termostática SMA****TSKT****RENESE™****English****Español****Français****Índice**

<b>Importantes medidas preventivas</b>	<b>-----13</b>
<b>Especificaciones</b>	<b>-----14</b>
<b>Antes de la instalación</b>	<b>-----14</b>
<b>Planos de instalación</b>	<b>-----15</b>
<b>Componentes</b>	<b>-----15</b>
<b>Procedimiento de instalación</b>	<b>-----16-20</b>
<b>Antes de usar</b>	<b>-----20~21</b>
<b>Opciones de instalación</b>	<b>-----22</b>
<b>Piezas de repuesto</b>	<b>-----22</b>
<b>Garantía</b>	<b>-----23</b>



- Gracias por su compra reciente del producto TOTO. Lea la información adjunta para asegurarse de usar el producto de modo seguro.





# Importantes medidas preventivas

(Para su seguridad, siga las instrucciones que aparecen a continuación)


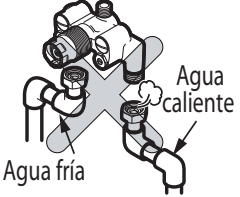





Lea detenidamente la sección "Importantes medidas preventivas" antes de instalar el producto.

- Los siguientes símbolos indican el uso seguro y adecuado del producto. El no respetarlos puede provocar lesiones o daño a la propiedad. Los símbolos y sus significados son los siguientes.
- La siguiente tabla muestra el uso de los símbolos de seguridad en este manual.


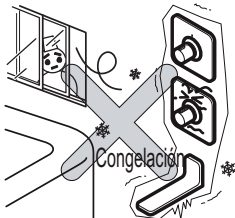
 <b>Advertencia</b>	El no respetar este símbolo puede provocar lesiones graves.
 <b>Precaución</b>	El no respetar este símbolo puede provocar lesiones o daño a la propiedad.

	 Terminantemente NO. No desarmar
	 ¡Obligatorio!

## Advertencia

 No	No invierta las tuberías de suministro de agua caliente y fría. No use vapor para suministro de agua caliente.  Puede quemarse con agua caliente cuando espera agua fría.	
 No desarmar	No use un suministro de agua caliente de más de 185°F (85°C). No use vapor como suministro de agua caliente.  Si se usa agua a una temperatura superior a los 185°F (85°C). Si está roto, puede ocurrir daño a la propiedad, quemaduras y otras lesiones.	
 Obligatorio	La válvula debe ser calibrada por el instalador de modo que la temperatura del agua se fije a 104°F (40°C) en la marca.  Pueden ocurrir quemaduras si no se comprueba la temperatura y la válvula no se calibra según sea necesario.	
	Si desea limpiar los filtros, cierre primero la válvula de retención y no abra las tapas con brusquedad.  Si no deja que se enfríe un poco el agua caliente que queda en el filtro, puede quemarse mientras retira el filtro del lado CALIENTE.	

## Precaución

 No	No use el producto a temperaturas que superen lo permitido en los códigos locales.  Si hay piezas dañadas, puede ocurrir daño a la propiedad, quemaduras y otras lesiones.	
---	--	---

# Especificaciones

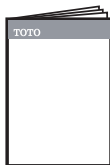
Presión del suministro de agua	Presión mínima	20 psi (0,14 MPa) (presión de flujo)
	Presión máxima	125 psi (0,86 MPa) (estática) <small>Verifique los códigos edilicios</small>
Temperatura del suministro de agua		Menos de 185°F (85°C)
Calidad del agua		Agua que cumpla con las regulaciones nacionales/principales de agua potable
Temperatura ambiente		34 - 104°F (2~40°C)
Conexión del suministro de agua		1/2 pulg. NPT
Caudal		Máx. 2,5 galones por minuto (9,5 l/min)

Algunas especificaciones pueden diferir dependiendo del modelo.

## Antes de instalar

- Cumpla con todos los códigos locales de plomería.
- Asegúrese de que el suministro de agua esté cerrado.
- Lea estas instrucciones con atención para asegurar una instalación correcta.
- Verifique para asegurarse de tener las piezas que se indican a continuación.
- Si la presión del suministro de agua es mayor de 125 psi (0,86 MPa), debería comprar una válvula de reducción para reducir la presión al rango de 30-45 psi (0,2-0,3 MPa).  
Para usar la grifería con comodidad, se recomienda una presión de aproximadamente 30-45 psi (0,2-0,3 MPa).
- Para evitar quemarse por un mal funcionamiento, la presión del suministro de agua fría debe ser mayor que la presión del suministro de agua caliente, o puede hacer que sean iguales. Además, si aumenta la presión del agua caliente, ésta aún debe ser menor que la del suministro de agua fría.
- Para evitar quemarse debido a un mal funcionamiento, se recomienda una temperatura para el suministro de agua caliente de 140°F (60°C).
- Para facilitar el ajuste del flujo de agua y la inspección usando herramientas, debería preparar una válvula de retención adicional.

### Busque estos artículos en el paquete.

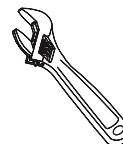


Manual del propietario y de instalación

### Herramientas que necesita para la instalación



Cinta para tubería



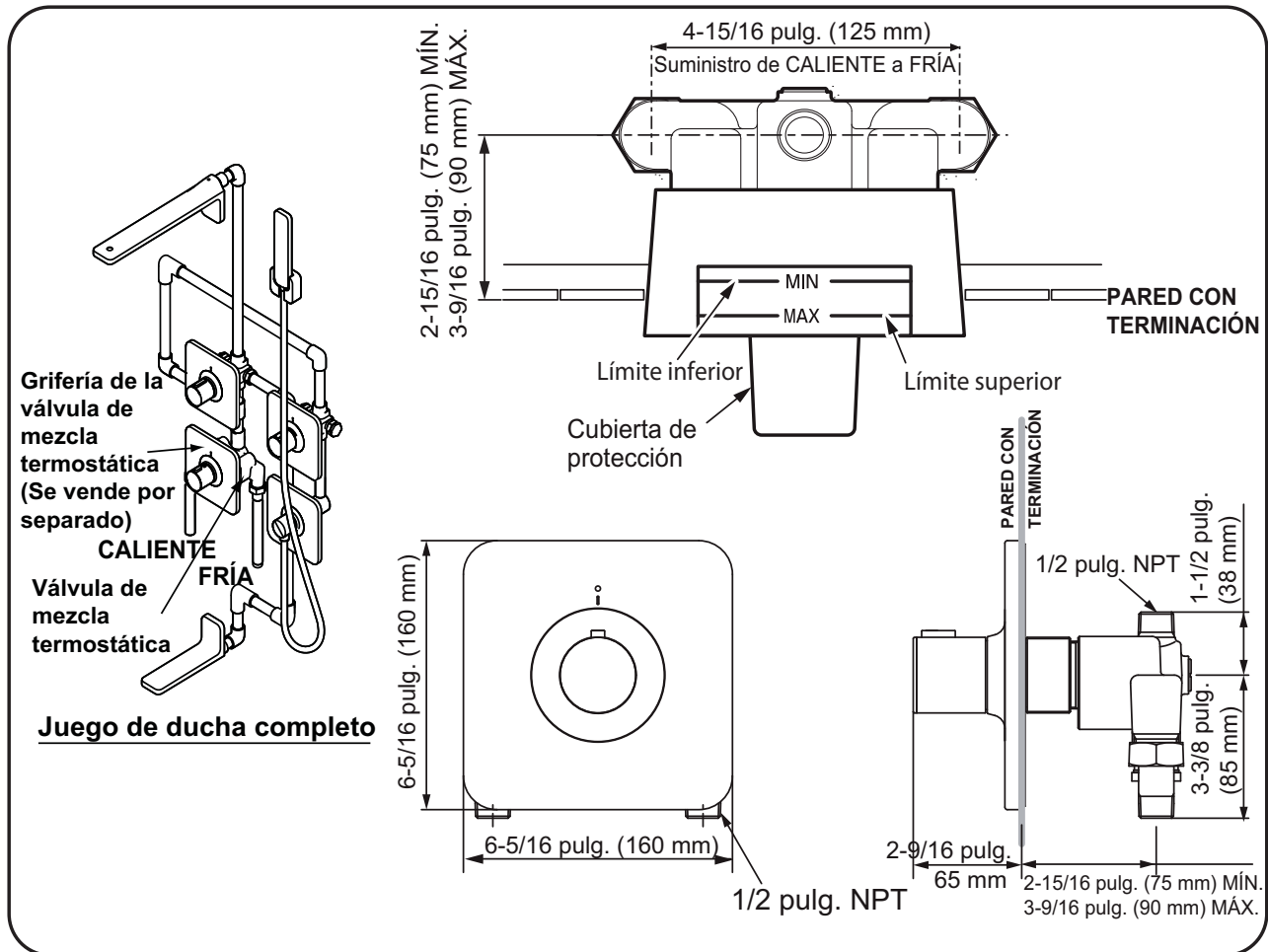
Llave ajustable



Llave Allen

# Planos de instalación

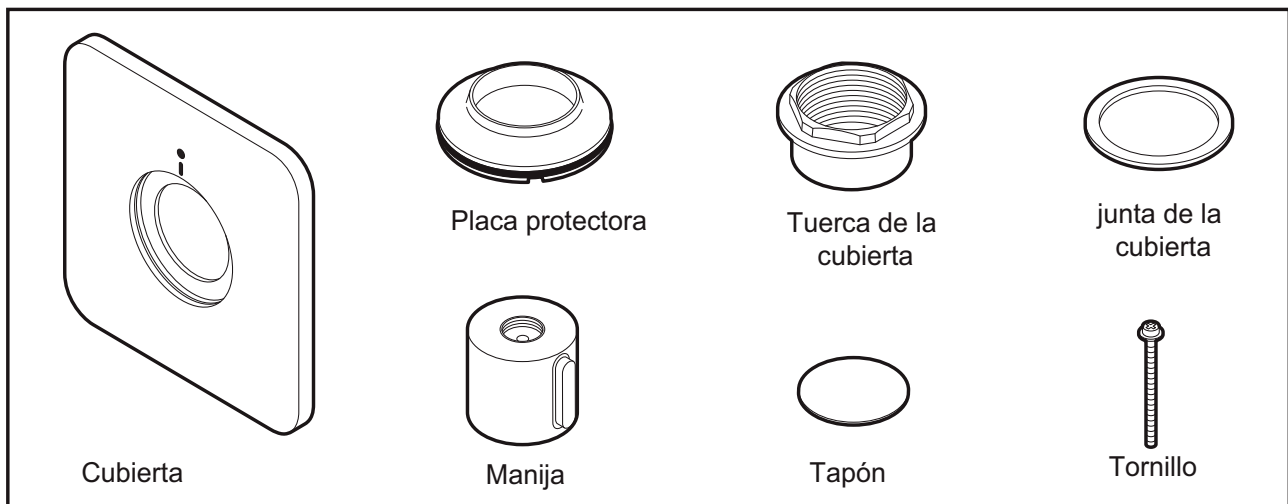
\*Algunas piezas pueden ser diferentes de las que se muestran dependiendo del modelo.



ESPAÑOL

# Componentes

Verifique que tiene las siguientes piezas.



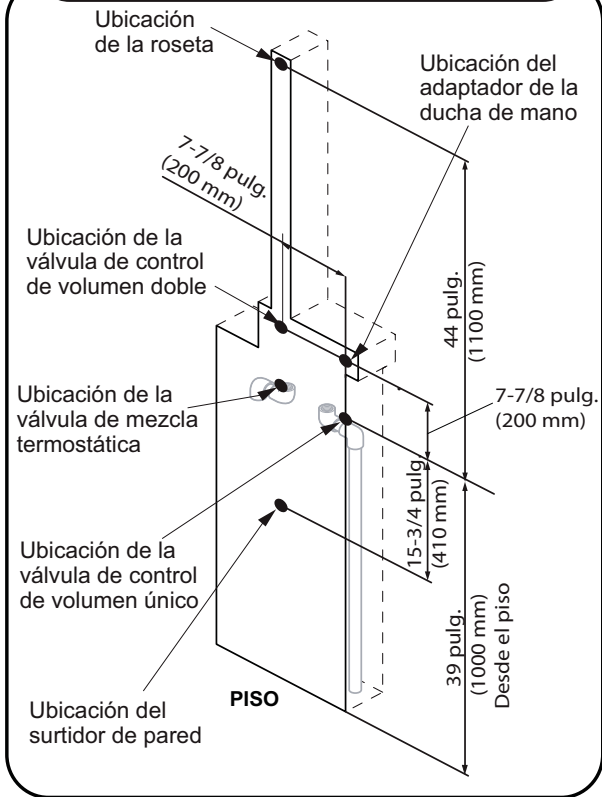
\*Algunas piezas pueden ser diferentes de las que se muestran dependiendo del modelo.



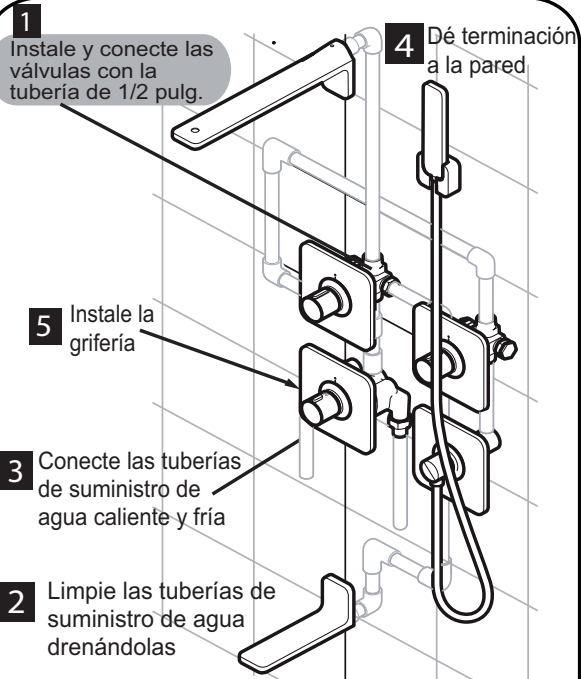
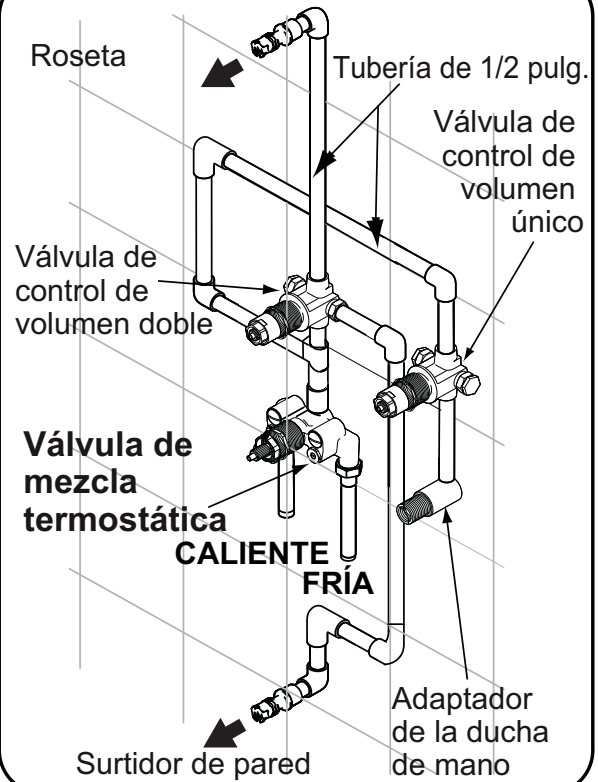
# Procedimiento de instalación

Se debe seguir la información que aparece a continuación para instalar adecuadamente la ducha.

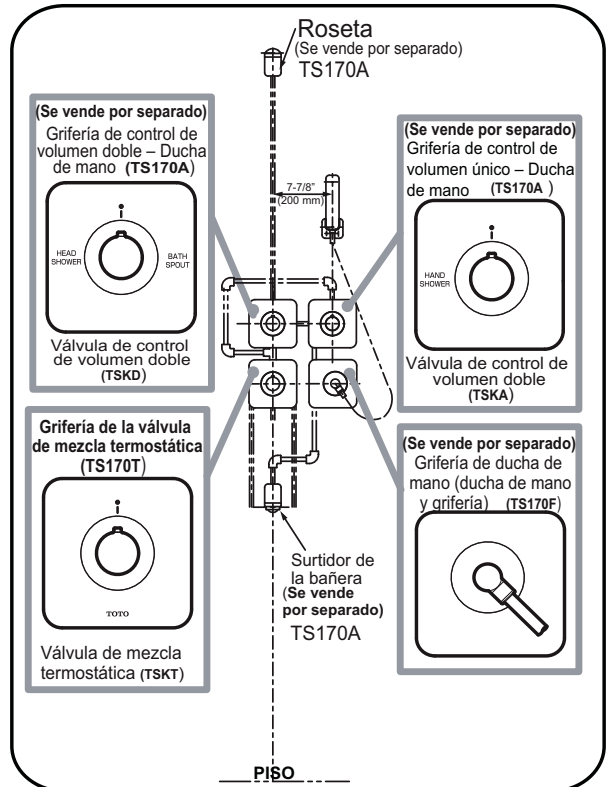
## Preparación



## Instalación de la plomería



Consulte el manual respectivo de cada artículo para los pasos del 1 al 4.

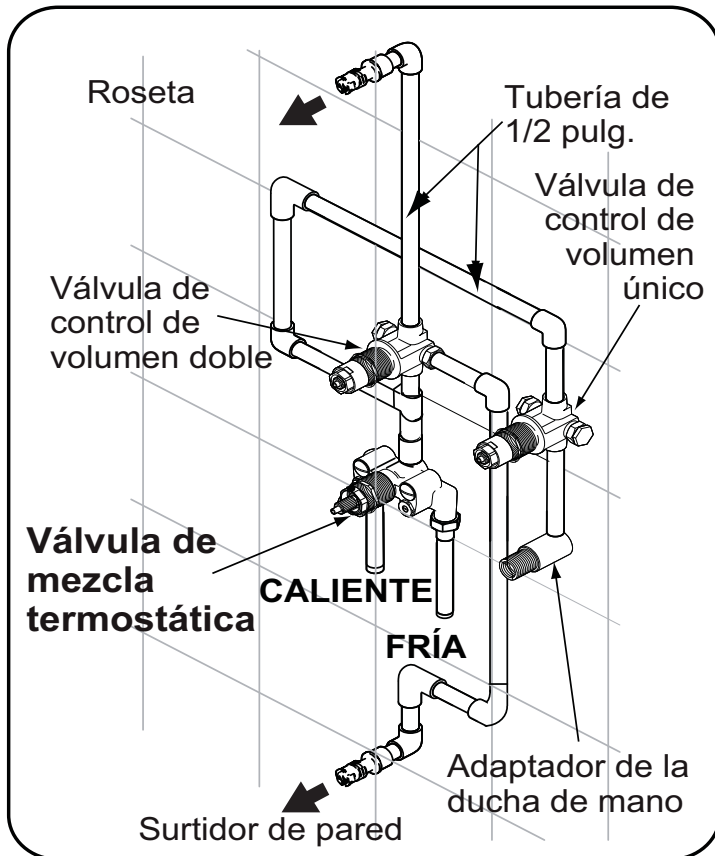
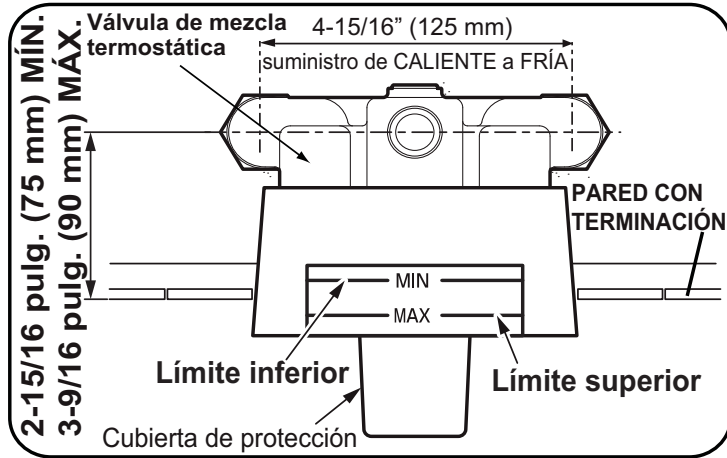
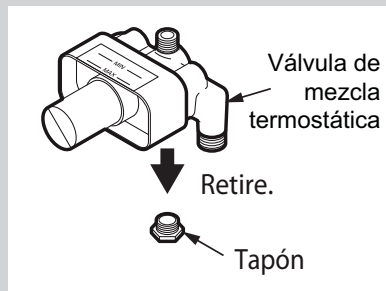


# 1) Instalación de la válvula (bosquejo y conexiones)

- 1) Confirme el bosquejo que se proporciona e instale la válvula.
- 2) Dependiendo de las opciones de instalación de la ducha (consulte la página Opciones de instalación), conecte todas las válvulas (válvula de mezcla termostática, válvula(s) de control de volumen y adaptador de la ducha de mano (todos se venden por separado)).

## Precaución

- Prepare todas las herramientas y accesorios de plomería para las conexiones de la ducha.
- Asegúrese de usar sellador de tuberías para todas las conexiones de tubería.
- No pierda la cubierta de protección. Úsela para confirmar el bosquejo y proteger la válvula.
- Quite el tapón si usará el surtidor de pared. De lo contrario, deje tapada la salida.



## 2) Instalación de la válvula (Tuberías de suministro de agua)

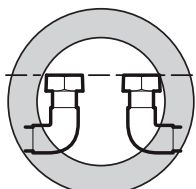
3) Antes de la instalación, **se debe enjuagar por completo la suciedad y los residuos de las tuberías de suministro de agua caliente y fría.**

4) Conecte las tuberías de suministro de agua caliente y fría.

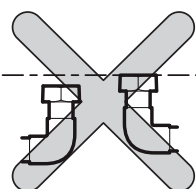
- 1) Instale las tuberías de suministro de agua fría y caliente.
- 2) Conecte la unión (suministrada en el paquete) a las tuberías de suministro de agua caliente y fría.

### Precaución

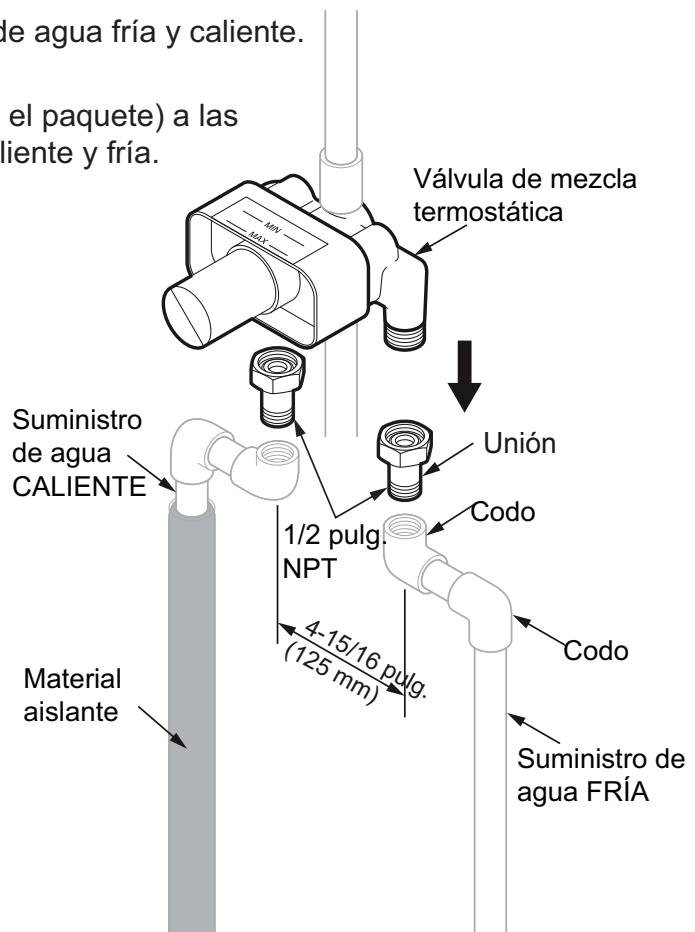
- Envuelva el material aislante alrededor de la tubería de suministro de agua CALIENTE
- Conecte las dos uniones que se proporcionan para que las tuberías de suministro queden al mismo nivel.



BIEN



MAL



3) Ajuste la válvula de mezcla termostática con las tuercas de las uniones.

4) Después de conectar las tuberías, **realice la prueba de agua haciendo correr agua por el juego de ducha para confirmar que no haya pérdidas en las conexiones.**

### 3) Instalación de la válvula

(Adaptador del vástago, Manguito limitante y Limitador de temperatura)

#### Precaución

La instalación de la grifería no se debería comenzar hasta que se confirme lo siguiente:

- 1) Verificación del flujo de agua
- 2) Verificación de los filtros

- ① Instale el adaptador del vástago dentro de la válvula como se muestra.

Confirme que la distancia entre la pared con terminación y la parte superior del manguito limitante se encuentre entre 1 pulg. (25 mm) y 1-3/8 pulg. (35 mm).

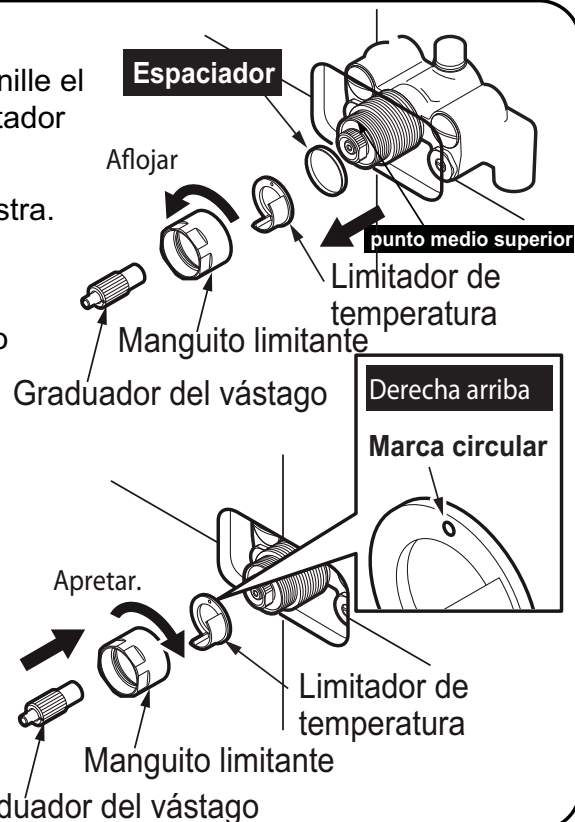
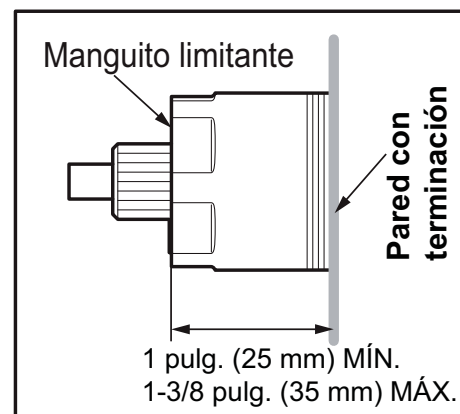
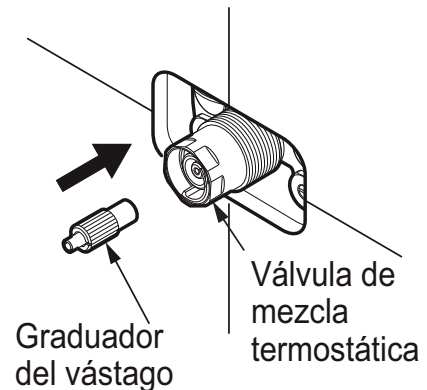
De lo contrario, se debe quitar el espaciador de la siguiente manera:

#### Cómo quitar el espaciador

- 1) Saque el graduador del vástago, desatornille el manguito limitante y tire hacia afuera el limitador de temperatura.
- 2) Luego, quite el espaciador como se muestra.
- 3) Conecte el limitador de temperatura, asegurándose de que la marca circular del limitador quede alineada con el punto medio superior de la válvula.
- 4) Luego, apriete el manguito limitante y vuelva a conectar el graduador del vástago.

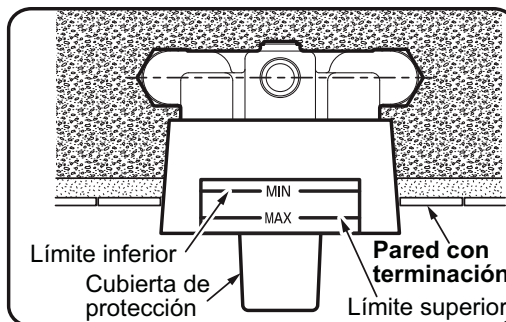
#### Precaución

- 1) Asegúrese de volver a conectar el limitador de temperatura.
- 2) Apriete bien el manguito limitante.
- 3) Asegúrese de que la marca circular apunte hacia arriba.



## 4) Instalación de la válvula (Pared con terminación)

- 1) Rellene la abertura de la válvula de instalación con masilla o similar.
- 2) Una vez más, usando la cubierta de protección que se proporciona asegúrese de que la distancia entre la superficie de la pared con terminación y la válvula se encuentra entre las marcas de MÍN. y MÁX.

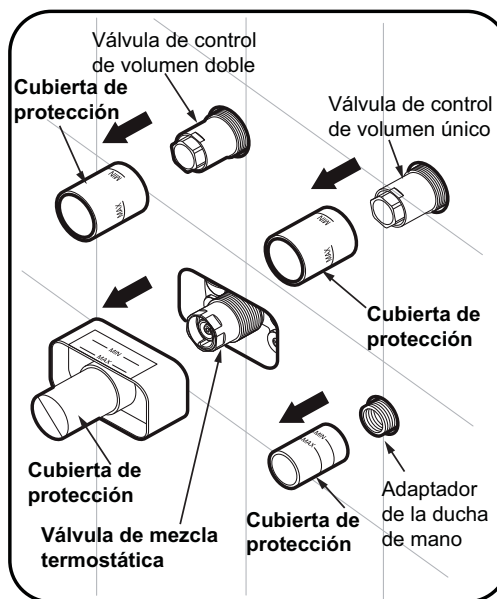


**Si la distancia supera el límite de las marcas de MÍN. y MÁX. la grifería de las válvulas no se podrá instalar adecuadamente.**

**Antes de instalar la válvula debe confirmar el grosor de la pared, tanto sin terminación como con terminación y la distancia a la válvula.**

### Precaución

Deje las cubiertas de protección sobre todas las válvulas hasta que se complete el trabajo con los azulejos.



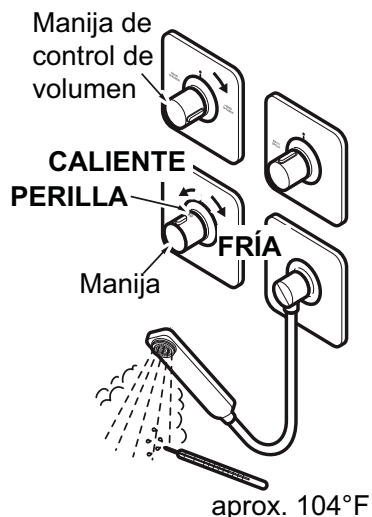
## Antes de usar (después de instalada la grifería)

### Confirme la temperatura de la salida de agua.

- 1) Fije la manija de control de temperatura en la marca de "104" y confirme que la temperatura de salida sea de 104°F.
- 2) Si la temperatura de salida no es de 104°F, se deberá realizar el siguiente ajuste.

**Para evitar quemarse, la temperatura recomendada del agua caliente es de 140°F (60°C).**

Para minimizar los riesgos de quemaduras se debe confirmar la temperatura de salida y calibrar la válvula. Después de calibrada, la temperatura de salida debería ser de 104°F mientras que la perilla de la manija de control de temperatura se encuentre en el medio.



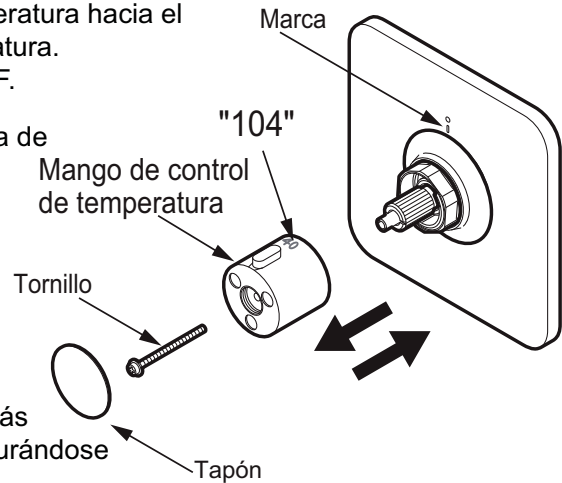
**Sírvase seguir las siguientes instrucciones sobre cómo ajustar la temperatura de salida si la que se muestra en el paso anterior no es la correcta.**

1) Continúe girando la manija de control de temperatura hacia el lado caliente mientras lee el indicador de temperatura. Deje de girarla cuando el indicador muestre 104°F.

2) Deje que corra el agua mientras retira la manija de control de temperatura quitando la tapa y desatornillando el tornillo.

3) Asegúrese de que el "104" que se encuentra en la manija esté alineado con la marca en la cubierta y vuelva a instalar la manija de control de temperatura.

4) Vuelva a poner el tornillo y la tapa y una vez más confirme la temperatura del agua de salida, asegurándose de que 104°F esté en el medio.



### Calibración de la válvula

Si no se obtuvo una lectura de temperatura correcta siguiendo las instrucciones anteriores se deberá calibrar la válvula.

1) Cierre el suministro de agua CALIENTE y FRÍA en las llaves de paso.

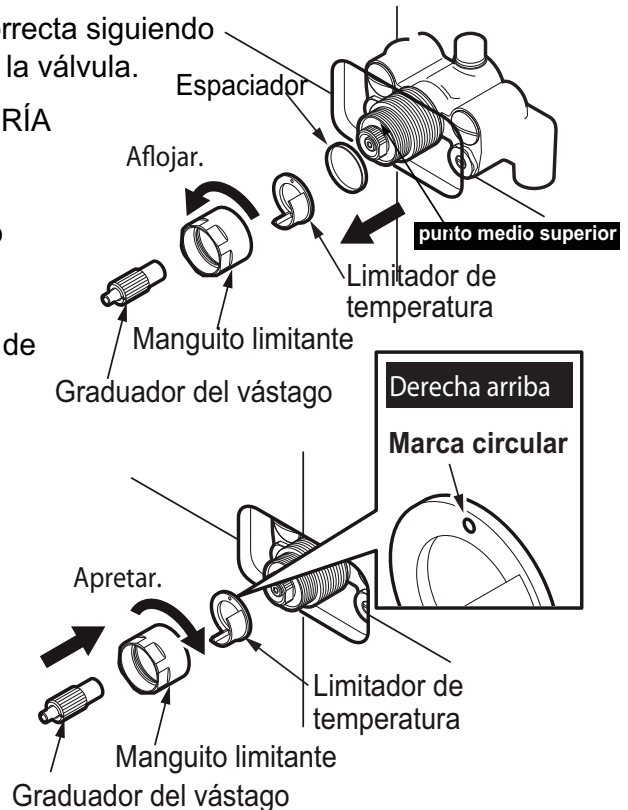
2) Quite el graduador del vástago, el manguito limitante y el limitador de temperatura.

3) Verifique que la marca circular del limitador de temperatura esté alineada con el punto medio superior de la válvula.

4) Vuelva a instalar el limitador y el manguito y abra el suministro de agua.

5) Abra el agua y déjela correr durante aproximadamente 1 minuto. Coloque un termómetro en el chorro de agua mientras gira la manija hacia el lado CALIENTE. Deténgase cuando marque 104°F (40°C).

6) Deje correr el agua a una temperatura de 104°F (40°C) y luego instale la manija y la tapa.



NOTA: si la válvula se gira accidentalmente, repita el proceso de calibración.

# Opciones de instalación

**1) Juego completo**

Roseta

Válvula y grifería de control de vol. único

Válvula y grifería de control de vol. doble

Válvula y grifería de válvula de mezcla

Adaptador de la ducha de mano

Grifería de la ducha de mano (grifería y ducha de mano)

Surtidor de la bañera

**2) sin ducha de mano**

Roseta

Válvula y grifería de control de vol. doble

Válvula y grifería de válvula de mezcla

Surtidor de la bañera

**3) sin surtidor de pared**

Roseta

Ducha de mano

Válvula y grifería de control de vol. doble

Válvula y grifería de válvula de mezcla

Válvula y grifería de control de vol. único

Grifería de la ducha de mano (grifería y ducha de mano)

Adaptador de la ducha de mano

**4) sólo roseta**

Roseta

Válvula y grifería de control de vol. único

Válvula y grifería de válvula de mezcla

Descripción del producto	Nº de pieza
Roseta	TS170A#CP
Surtidor de la bañera	TS170E#CP
Grifería de ducha de mano	TS170F#CP
Grifería de control de vol. único para ducha de mano	TS170C1#CP
Adaptador de la ducha de mano	TSKH
Grifería de control de vol. doble	TS170D#CP

Descripción del producto	Nº de pieza
Grifería de la válvula de mezcla termostática	TS170T#CP
Válvula de mezcla termostática SMA	TSKT
Grifería de control de vol. único para ducha	TS170C#CP
Válvula de control de volumen único	TSKA
Válvula de control de volumen doble	TSKD

#CP = Cromado pulido

ESPAÑOL

# Piezas de repuesto

Nº	Descripción
1	JUEGO DEL TORNILLO DEL ADAPTADOR
2	ADAPTADOR DEL VÁSTAGO
3	MANGUITO LIMITANTE
4	LIMITADOR DE TEMPERATURA
5	ESPACIADOR
6	TUERCA DE RETENCIÓN DE LA VÁLVULA TERMOSTÁTICA
7	ANILLO EN O
8	ENSAMBLE DE LA VÁLVULA TERMOSTÁTICA
9	CIERRE
10	FILTRO/VÁLVULA DE RETENCIÓN
11	JUEGO DE TUERCAS

# GARANTIA

1. TOTO® garantiza que sus grifos residenciales y accesorios de baño ("Producto") no presentan defectos en sus materiales ni de fabricación durante su uso normal cuando son instalados y mantenidos adecuadamente, de por vida para el Producto a partir de la fecha de compra. Esta garantía limitada es válida solamente para el COMPRADOR ORIGINAL del Producto y no es transferible a una tercera persona, incluyendo, pero sin limitarse a, cualquier comprador o propietario subsecuente del Producto. Esta garantía aplica solamente al Producto TOTO comprado e instalado en América del Norte, Central, y del Sur.

2. Las obligaciones de TOTO bajo esta garantía se limitan a la reparación, cambio o cualquier otro ajuste, a petición de TOTO, del Producto o partes que resulten defectuosas en su uso normal, siempre que dicho Producto haya sido instalado, utilizado y mantenido de acuerdo con las instrucciones. TOTO se reserve el derecho de hacer tantas inspecciones como sean necesarias para determinar la causa del defecto. TOTO no cobrará por la mano de obra o partes relacionadas con las reparaciones o cambios garantizados. TOTO no es responsable por el costo de la remoción, devolución y/o reinstalación del Producto.

3. Esta garantía no aplica en los siguientes casos:

- a. Daño o pérdida ocurrida en un desastre natural, tal como: incendio, sismo, inundación, relámpago, tormenta eléctrica, etc.
- b. Daño o pérdida resultado de cualquier accidente, uso no razonable, mal uso, abuso, negligencia o cuidado, limpieza o mantenimiento inadecuado del Producto, incluyendo el uso de un agente limpiador abrasivo o el uso de cualquier otro producto de limpieza de manera inconsistente con las instrucciones del Producto.
- c. Daño o pérdida causada por los sedimentos o material extraña contenida en un sistema de agua.
- d. Daño o pérdida causada por una mala instalación o por la instalación del Producto en un ambiente duro y/o peligroso, o una remoción, reparación o modificación inadecuada del Producto.
- e. Daño o pérdida causada por sobrecargas eléctricas o rayos u otros actos que no sean responsabilidad de TOTO o que el Producto no esté especificado para tolerar.
- f. Daño o pérdida causada por el uso normal y personalizado, tal como reducción del brillo, rayado o pérdida de color en el tiempo debido al uso, prácticas de limpieza o condiciones del agua o atmosféricas.

4. Para que esta garantía limitada sea válida, prueba de compra es necesaria. TOTO anima el registro de la garantía sobre compra para cree un archivo de la propiedad del producto en <http://www.totousa.com>. El registro del producto es totalmente voluntario y la falta a registrar no disminuirá sus derechos de garantía limitada.

5. Si el Si el producto es utilizado comercialmente o es instalado fuera de América del Norte, Central o del Sur, TOTO garantiza que el producto no presenta defectos en sus materiales ni de fabricación durante su uso normal por un periodo de un (1) año a partir de la fecha de instalación del Producto, y todos los otros términos de esta garantía deberán aplicar excepto la duración de la garantía.

6. ESTA GARANTÍA LE DA DERECHOS LEGALES ESPECÍFICOS. USTED PODRÍA TENER OTROS DERECHOS QUE PUEDEN VARIAR DEPENDIENDO DEL ESTADO O PROVINCIA EN EL QUE SE ENCUENTRE.

7. Para obtener el servicio de reparación de esta garantía, debe llevar el Producto o enviarlo prepagado a un modulo de servicios TOTO junto con la prueba de compra (recibo de compra original) y una carta en la que plantee el problema, o póngase en contacto con un distribuidor TOTO o el contratista de servicio de los productos, o escriba directamente a TOTO U.S.A., INC., 1155 Southern Road, Morrow, GA 30260 (888) 295 8134 o (678) 466-1300, si fuera de los E.E.U.U. Si, debido al tamaño del producto o naturaleza del defecto, el Producto no puede ser devuelto a TOTO, la recepción en TOTO del aviso escrito del defecto junto con la prueba de compra (recibo de compra original) constituirá el envío. En tal caso, TOTO podrá escoger entre reparar el Producto en el domicilio del comprador o pagar el transporte del Producto a un módulo de servicio.

ESTA GARANTÍA ESCRITA ES LA ÚNICA GARANTÍA HECHA POR TOTO. LA REPARACIÓN, CAMBIO U OTRO AJUSTE ADECUADO, TAL COMO APARECE EN ESTA GARANTÍA, SERÁ EL ÚNICO REMEDIO DISPONIBLE PARA EL COMPRADOR ORIGINAL. TOTO NO SERÁ RESPONSABLE POR LA PÉRDIDA DEL PRODUCTO O POR CUALQUIER OTRO DAÑO ACCIDENTAL, ESPECIAL O CONSECUENTE O POR DAÑOS INCURRIDOS POR EL COMPRADOR ORIGINAL, O POR LA MANO DE OBRA U OTROS COSTOS RELACIONADOS CON LA INSTALACIÓN O REMOCIÓN, O COSTOS DE REPARACIONES HECHAS POR OTROS, O POR CUALQUIER OTRO GASTO NO INDICADO DE MANERA ESPECÍFICA EN LOS PÁRRAFOS ANTERIORES. EN NINGÚN CASO LA RESPONSABILIDAD DE TOTO EXCEDERÁ EL PRECIO DE COMPRA DEL PRODUCTO. EXCEPTO EN LA MEDIDA EN QUE QUEDE PROHIBIDO POR LA LEY APLICABLE, TODA GARANTÍA IMPLÍCITA, INCLUYENDO AQUELLAS DE COMERCIABILIDAD O IDONEIDAD DE USO PARA EL USO O PARA UN PROPÓSITO PARTICULAR, ESTÁ EXPRESAMENTE PROHIBIDA. ALGUNOS ESTADOS NO PERMITEN LAS LIMITACIONES ACERCA DE LA DURACIÓN DE UNA GARANTÍA TÁCITA, O LA EXCLUSIÓN O LIMITACIÓN DE DAÑOS INCIDENTALES O CONSECUENTES, POR LO QUE LA LIMITACIÓN E INCLUSIÓN ANTERIORES PUEDEN NO APLICAR A USTED.



**TOTO®****Manuel d'installation et d'utilisation****Robinet mélangeur thermostatique SMA****TSKT****RENESE™**

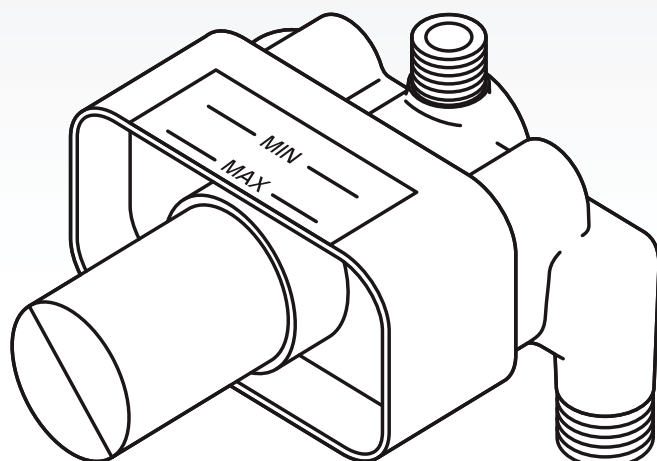
English

Español

Français

**Contents**

Mises en garde importantes	25
Spécifications	26
Avant l'installation	26
Schéma d'installation	27
Composants	27
Procédure d'installation	28~31
Avant l'utilisation	32~33
Options d'installation	34
Pièces de rechange	34
Garantie	35





● Merci de votre récent achat du produit TOTO®. Veuillez lire les renseignements inclus pour assurer la sécurité d'utilisation du produit.





# Mises en garde importantes

(Pour votre sécurité, veuillez suivre les instructions ci-dessous)


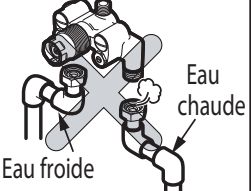



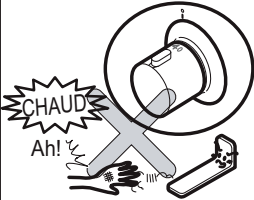
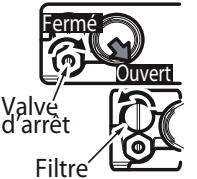
Avant l'installation du produit, lisez attentivement la section « Mises en garde importantes ».

- Les symboles suivants indiquent l'utilisation sécuritaire et approprié du produit. Le manque de les observer peut entraîner des blessures et des dégâts matériels. Les symboles et leur signification sont comme suit :
- Le tableau suivant indique l'utilisation des symboles de sécurité dans ce manuel.


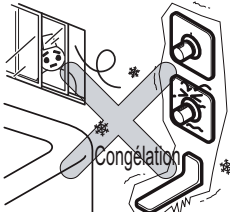
 <b>Avertissement</b>	Le manque à observer ce symbole peut entraîner des blessures sérieuses.
 <b>Prudence</b>	Le manque à observer ce symbole peut causer des blessures ou des dégâts matériels.

	 <b>Absolument Ne PAS.</b> Ne pas démonter
	 <b>Obligatoire!</b>

## Avertissement

 Ne PAS	N'interchangez pas les lignes d'alimentation d'eau chaude et froide. N'utilisez pas la vapeur pour l'alimentation d'eau chaude.  Vous pourriez vous brûler avec l'eau chaude alors que vous vous attendez à ce que ce soit de l'eau froide.	 Eau chaude Eau froide
 Ne pas démonter	N'utilisez pas d'alimentation d'eau chaude qui est plus élevée que 185°F (85°C). N'utilisez pas la vapeur pour l'alimentation en eau chaude  Si une eau plus chaude que 185°F est utilisée et qu'il y a un bris, des dégâts matériels, des brûlures et autres blessures peuvent se produire.	 OK! Moins de 185°F (85°C)
 Obligatoire	La soupape devrait être calibrée par l'installateur afin que la température de l'eau soit fixée à 104°F (40°C).  Des brûlures peuvent se produire si la température n'est pas vérifiée et que la soupape n'est pas calibrée selon les besoins.  Si vous désirez nettoyer les filtres, coupez d'abord la soupape d'arrêt et n'ouvrez pas les bouchons d'une manière brusque. Si vous ne laissez pas refroidir le résidu d'eau chaude dans le filtre pendant un moment, vous pouvez vous brûler en retirant le filtre du côté CHAUD.	 CHAUD Ah!   Fermé Ouvert Valve d'arrêt Filtre

## Prudence

 Ne PAS	N'utilisez pas le produit à des températures excédantes celles permises par les codes locaux.  Si des pièces sont endommagées, des dégâts matériels, des brûlures et autres blessures peuvent se produire.	 Congélation
---	--	--

# Spécification

Pression d'alimentation de l'eau	Pression minimum	20 psi (0,15MPa) (pression d'écoulement)
	Pression maximum	125 psi (0,75MPa)(statique) <small>Vérifiez le code en bâtiment local</small>
Température de l'eau fournie	Inférieur à 185°F (85°C)	
Qualité de l'eau	Eau qui répond au règlement de l'eau potable principal/national	
Température ambiante	34 - 104°F (2~40°C)	
Raccordement de l'alimentation en eau	1/2" NPT	
Débit	Max. 2,5 gallons par minutes (9,5L/min)	

Certaines spécifications peuvent varier selon le modèle.

# Avant l'installation

- Observez tous les codes de plomberie locaux.
  - Assurez-vous que l'alimentation d'eau soit coupée.
  - Lisez soigneusement ces instructions afin de vous assurer d'une installation adéquate.
  - Vérifiez pour vous assurer que vous avez bien les pièces suivantes indiquées ci-dessous.
- Si la pression d'alimentation en eau est supérieure à 125psi (0,86MPa), vous devriez acheter un détendeur de pression pour réduire la pression à l'échelle de 0,2-0,3MPa.  
Afin d'utiliser confortablement le robinet, la pression recommandée est d'environ 30-45 psi (0,2-0,3MPa).
  - Afin d'éviter d'être brûlé à cause d'un mauvais fonctionnement, la pression de l'alimentation en eau froide doit être supérieure à la pression d'eau chaude, ou elle peut être équivalente. De plus, si vous augmentez la pression de l'eau chaude, elle doit tout de même être inférieure à celle du côté de l'eau froide.
  - Afin d'éviter d'être brûlé à cause d'une mauvaise exécution, il est recommandé que l'alimentation de l'eau chaude soit de 140°F (60°C).
  - Pour faciliter l'ajustement et l'inspection du débit d'eau à l'aide d'outils, vous devriez avoir sous la main une soupape d'arrêt supplémentaire.

## Dans l'emballage, vous trouverez :

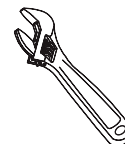


Manuel d'installation & d'utilisation

## Outils nécessaires à l'installation



Ruban de téflon



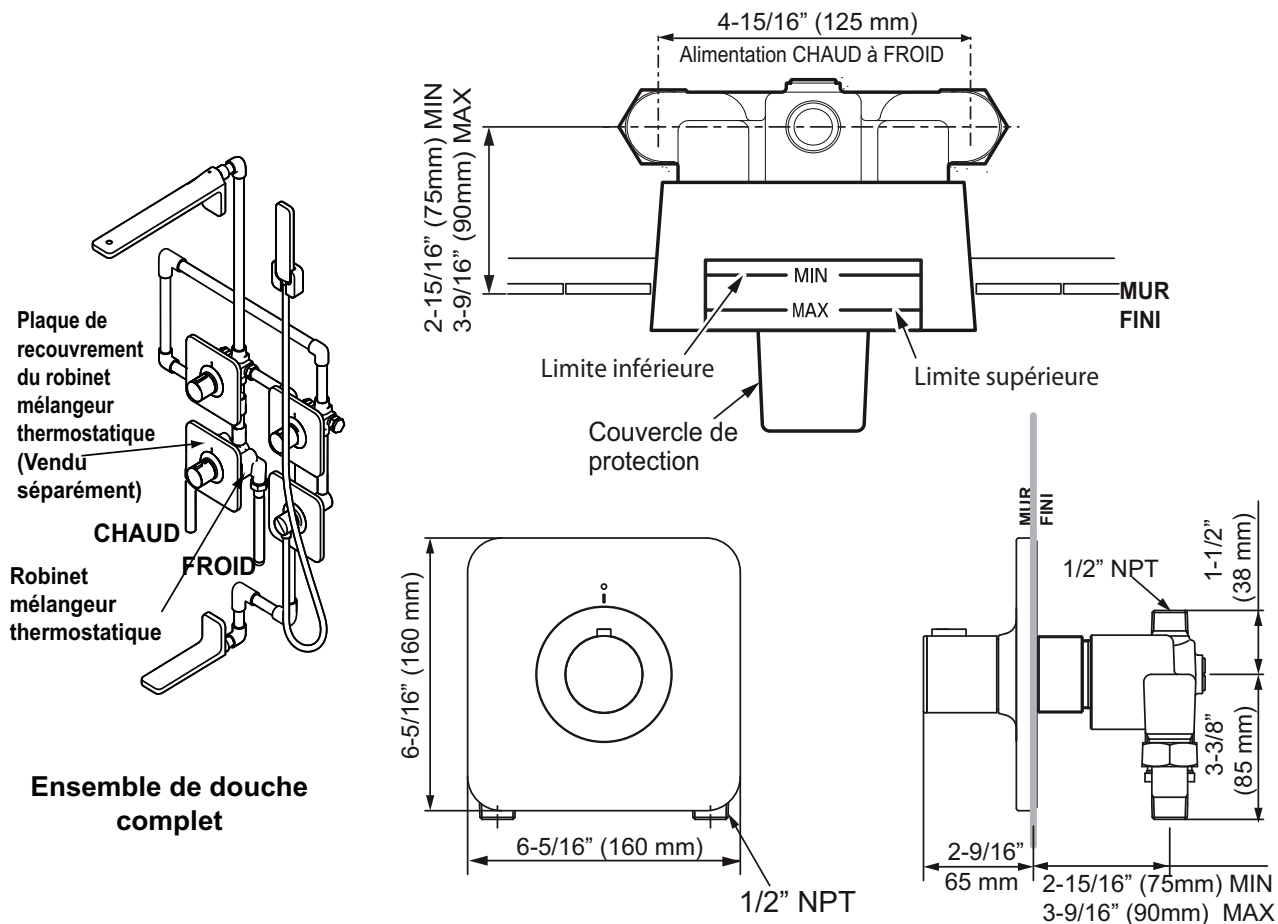
Clé à molette



Clé hexagonale

# Schéma d'installation

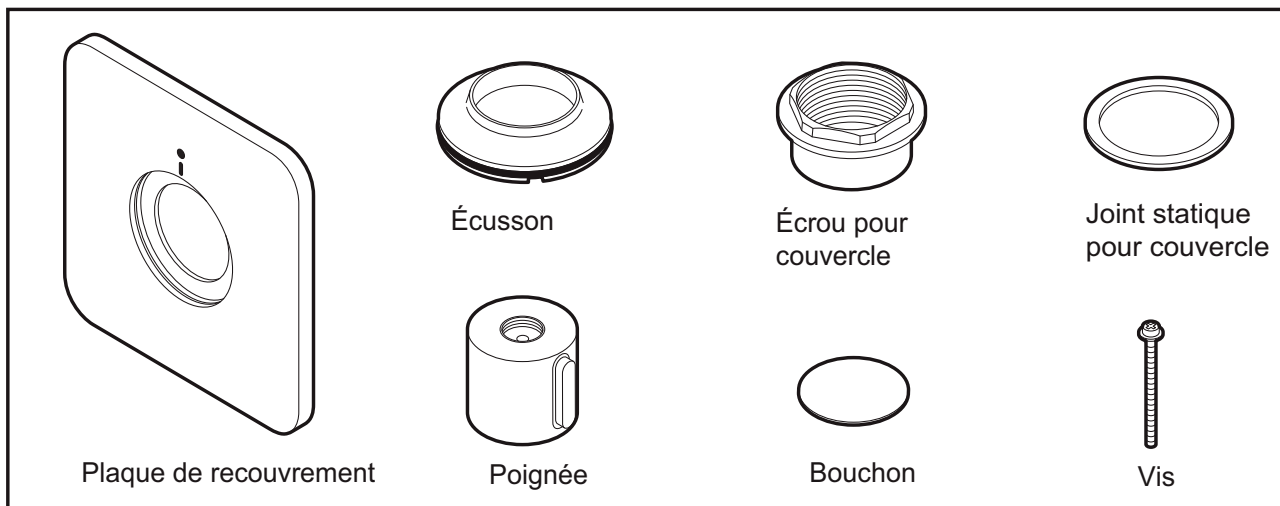
\*Selon le modèle, certaines pièces peuvent varier des schémas.



FRANÇAIS

# Composants

Vérifiez que vous avez bien les pièces suivantes.

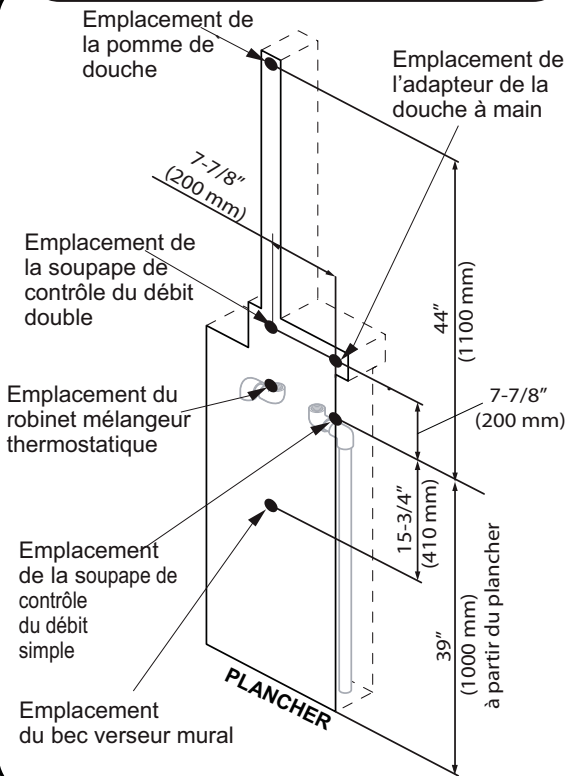


\*Certains pièces peuvent varier des schémas selon le modèle.

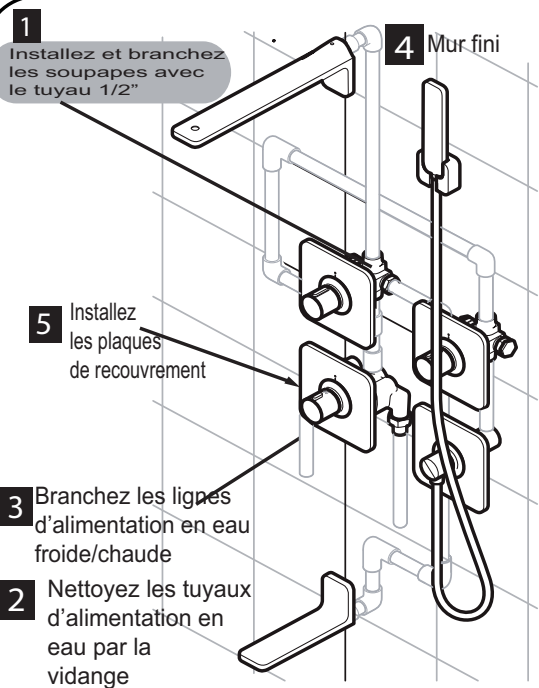
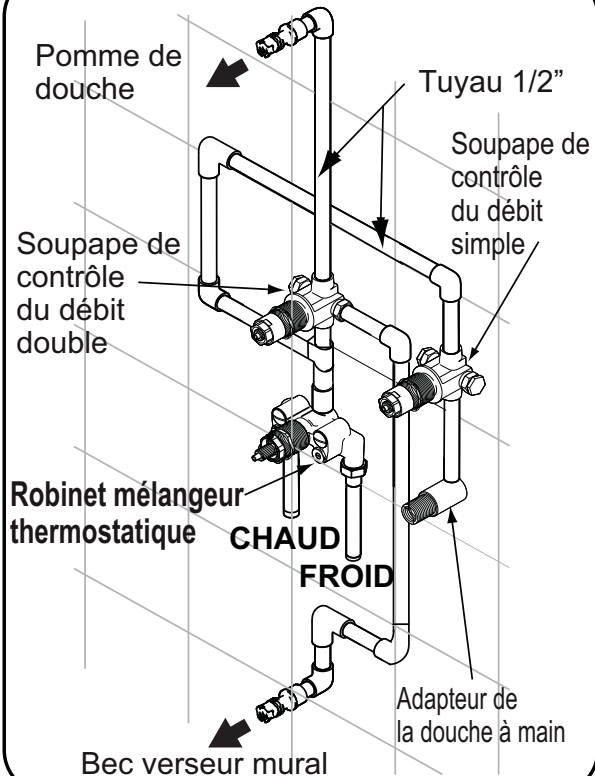
# Procédure d'installation

L'information ci-dessous doit être observée afin d'installer adéquatement la douche.

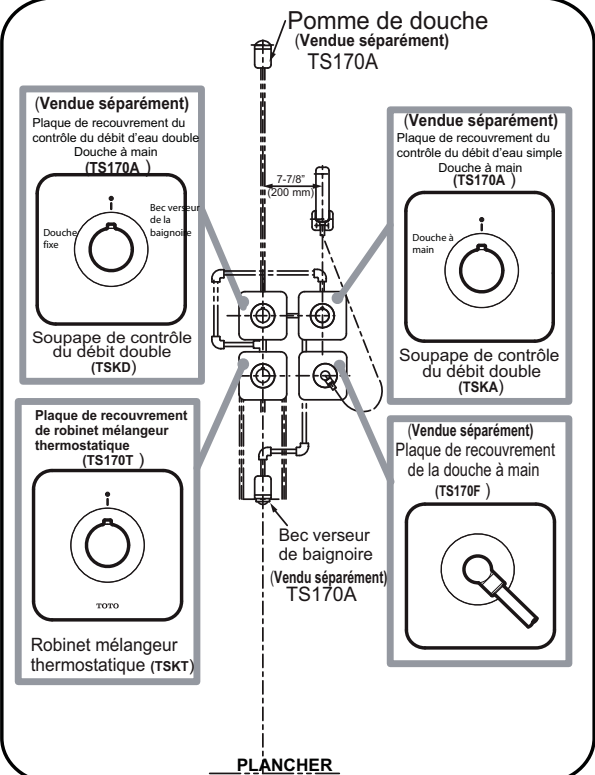
## Préparation



## Installation de la robinetterie



Consultez les manuels respectifs pour chaque article des étapes 1 à 4.

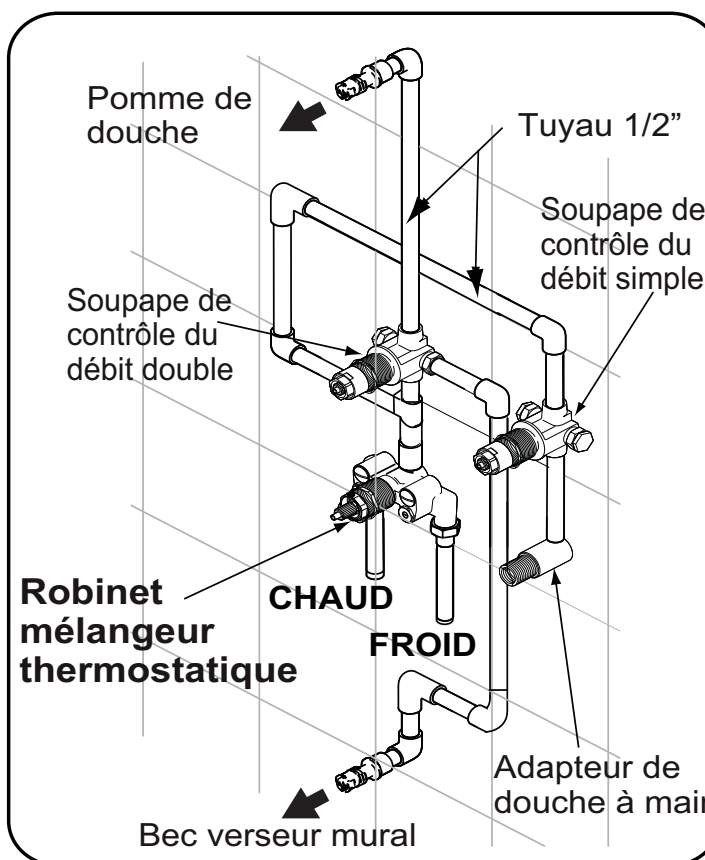
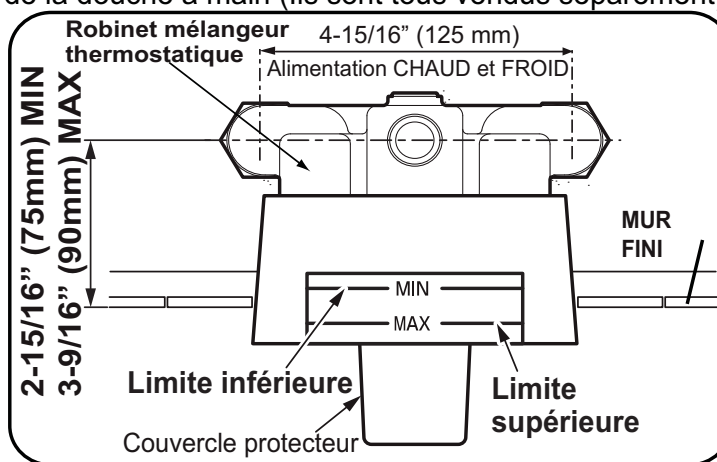
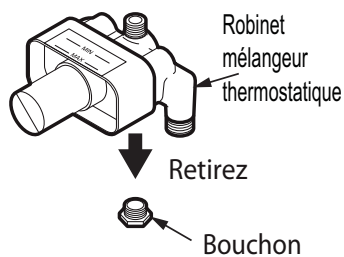


# 1) Installation de la soupape (Robinetterie brute et raccords)

- 1) Confirmez la robinetterie brute fournie et installez la soupape.
- 2) Selon les options d'installation de la douche (Consultez la page des options d'installation), branchez toutes les soupapes (Robinet mélangeur thermostatique, la(les) soupape(s) du contrôle du débit et l'adaptateur de la douche à main (Ils sont tous vendus séparément).

## Prudence

- Préparez tous les outils et accessoires de plomberie pour tous les raccords de la douche.
- Assurez-vous d'utiliser le sellant à tuyau pour tous les raccords de tuyaux.
- Ne perdez pas le couvercle protecteur. Servez-vous en pour confirmer la robinetterie brute et pour protéger la soupape.
- Retirez le bouchon si le bec verseur mural sera utilisé. Sinon, laissez le bouchon sur la sortie.



## 2) Installation de la soupape (Lignes d'alimentation en eau)

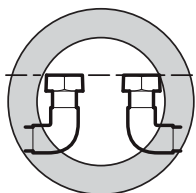
3) Avant l'installation, **la saleté et les débris dans les lignes d'alimentation en eau froide et chaude doivent être complètement vidangées.**

4) Branchez les lignes d'alimentation d'eau chaude et froide.

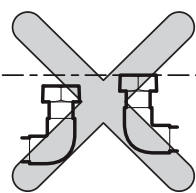
- 1) Installez les lignes d'alimentation d'eau chaude et froide.
- 2) Branchez le raccord (fourni dans l'emballage) aux lignes d'alimentation d'eau chaude et froide.

### Prudence

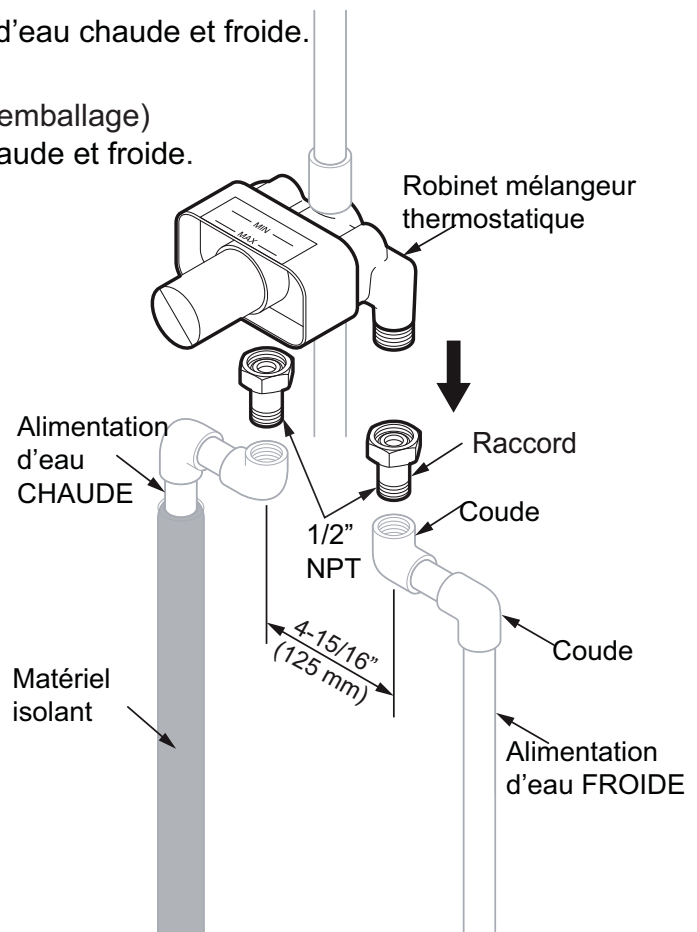
- Enveloppez avec le matériel isolant autour du tuyau d'alimentation de l'eau CHAUDE
- Attachez les deux raccords fournis afin que les lignes d'alimentation soient au même niveau.



BIEN



ERRONÉ



3) Fixez le robinet mélangeur thermostatique avec les écrous des raccords.

4) Après avoir branché les tuyaux d'alimentation, **effectuez le test d'eau en laissant l'eau couler dans la douche et confirmez qu'il n'y a aucune fuite dans les joints.**

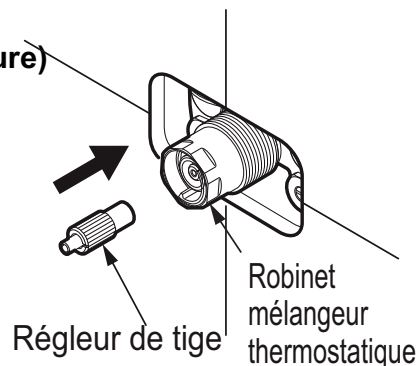
### 3) Installation de la soupape

(Régleur de tige, collier limiteur et limiteur de température)

#### Prudence

L'installation des plaques de recouvrement ne devrait pas commencée jusqu'à ce que vous vérifiez :

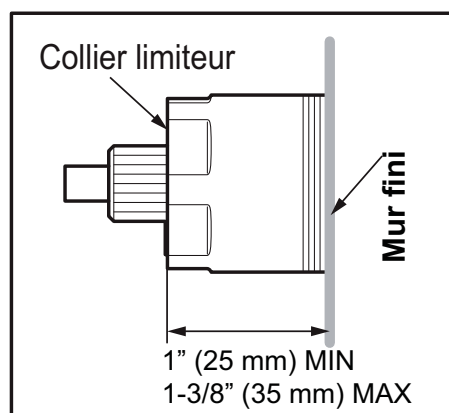
- 1) le débit d'eau
- 2) les filtres



- ① Installez le régleur de tige dans la soupape comme illustré.

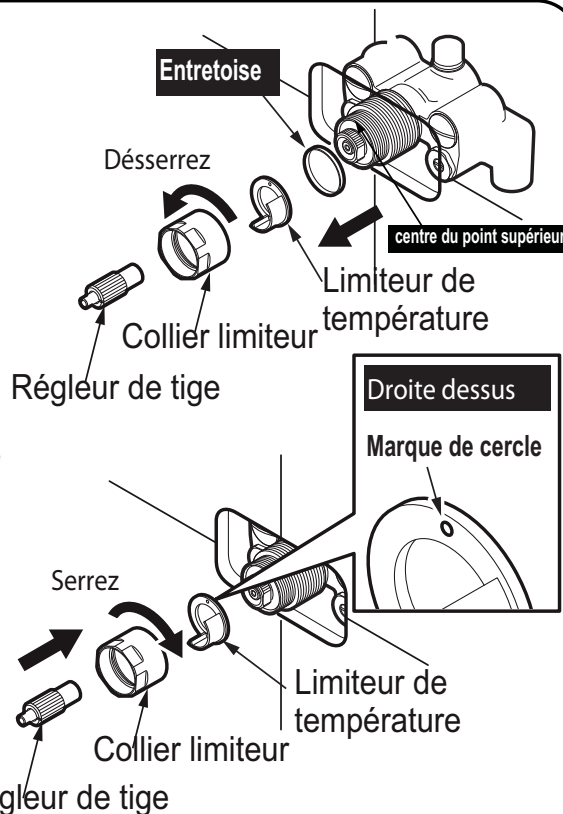
Confirmez que la distance entre le mur fini et le haut du collier du limiteur est entre 1" (25 mm) et 1-3/8" (35 mm).

Sinon, l'entretoise devrait être retirée comme suit :



#### Comment retirer l'entretoise

- 1) Retirez le régleur de tige, dévissez le collier du limiteur et retirez le limiteur de température.
- 2) Retirez ensuite l'entretoise comme indiqué.
- 3) Attachez le limiteur de température, en vous assurant que la marque de cercle sur le limiteur s'aligne avec le centre du point supérieur de la soupape.
- 4) Puis, serrez le collier du limiteur et rattachiez le régleur de tige.



#### Prudence

- 1) Assurez-vous de rattacher le limiteur de température.
- 2) Serrez fermement le collier du limiteur.
- 3) Assurez-vous que la marque de cercle pointe bien vers le haut.



## 4) Installation de la soupape (le mur fini)

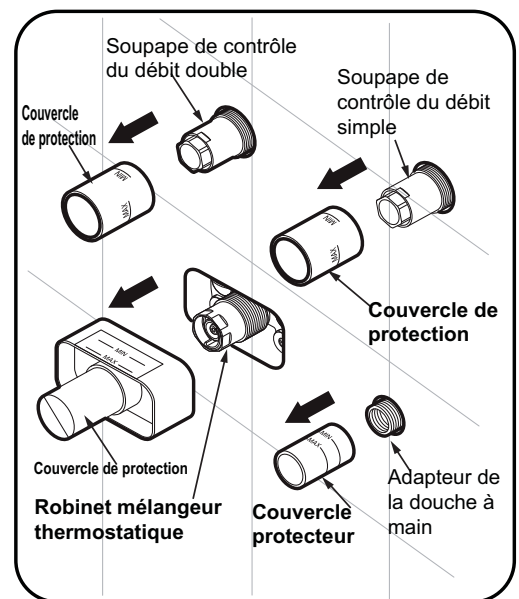
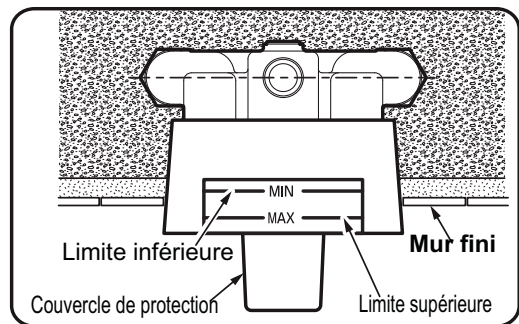
- 1) Remplissez l'ouverture de la soupape d'installation avec du mastic de plombier ou quelque chose semblable.
- 2) Assurez-vous encore une fois, avec le couvercle de protection fourni, que la distance entre la surface du mur fini et la soupape tombe entre le MIN et le MAX.

**Si la distance s'étend au delà des MIN et MAX, la plaque de recouvrement de la soupape ne pourra pas être installée adéquatement.**

**Vous devez confirmer la distance à la soupape et l'épaisseur du mur, autant brute que finie avant d'installer la soupape.**

### Prudence

Laissez les couvercles de protection en place sur toutes les soupapes jusqu'à ce que le travail soit complété.



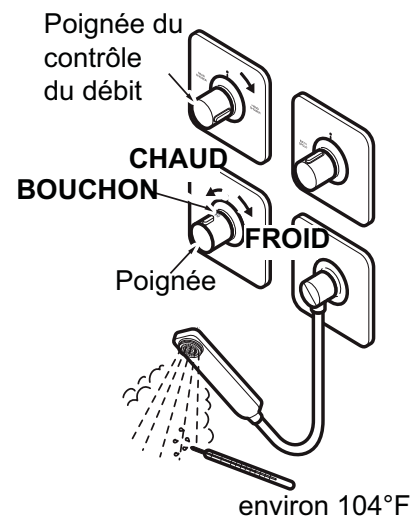
## Avant l'utilisation (après que les plaques de recouvrement soient installées)

### Confirmez la température de la sortie d'eau.

- 1) Réglez la poignée du contrôle de la température à la marque de « 104 » et confirmez que la température de sortie est 104°F.
- 2) Si la sortie de température n'est pas de 104°F, les ajustements suivants devraient être effectués:

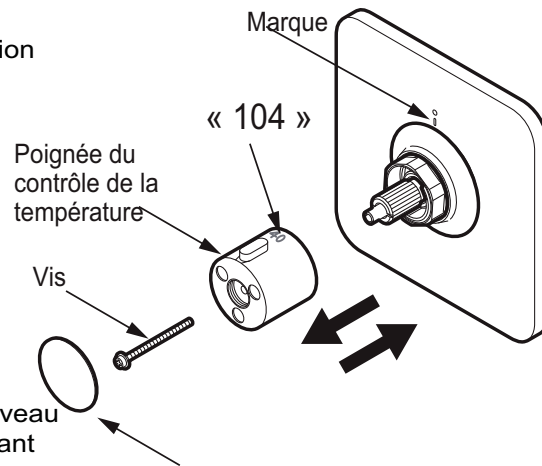
**Pour éviter les brûlures, la température de l'eau chaude recommandée est 140°F (60°).**

La confirmation de la température de sortie et le calibrage de la soupape sont exigés pour réduire au minimum les risques de brûlures. Après le calibrage, la température de sortie doit être de 104°F lorsque le bouton de la poignée de contrôle de la température est au milieu.



**Veillez consulter les instructions suivantes sur la façon d'ajuster la sortie de température dans le cas d'indication erronée à l'étape précédente.**

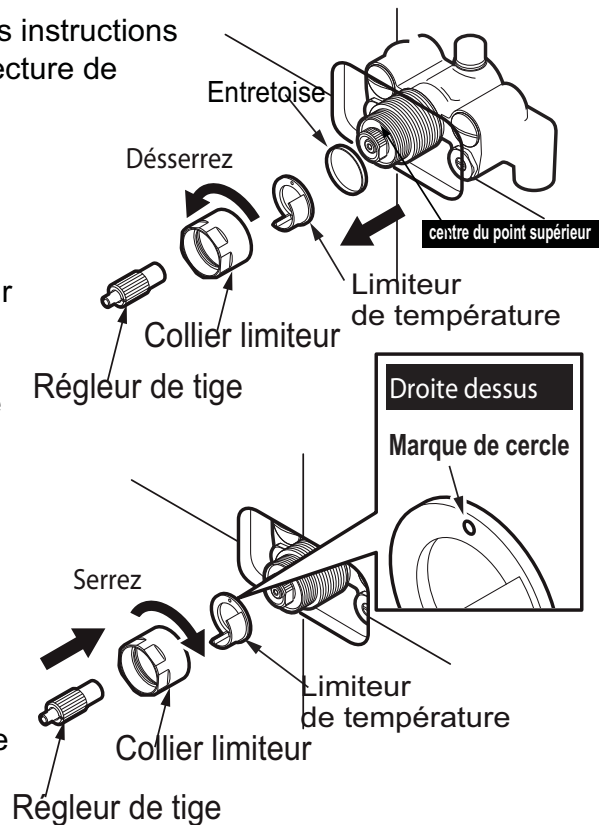
- 1) Continuez à tourner la poignée de contrôle de la température du côté chaud tout en lisant l'indicateur de la température. Cessez la rotation lorsque l'indicateur indique 104°F.
- 2) Laissez l'eau couler tout en retirant la poignée de contrôle de la température en retirant le bouchon et en dévissant la vis.
- 3) Assurez-vous que le « 104 » sur la poignée est en ligné avec la marque du couvercle et remettez la poignée de contrôle de la température.
- 4) Insérez la vis et le bouchon et confirmez de nouveau la température de la sortie d'eau, en vous assurant que le 104°F se situe au centre.



## Calibrage de la soupape

Le calibrage de la soupape sera requis si les instructions ci-dessus ne réussissent pas à donner une lecture de température exacte.

- 1) Coupez l'alimentation d'eau CHAUDE et FROIDE aux arrêts de service.
- 2) Retirez le réglage de tige, le collier limiteur et le limiteur de température.
- 3) Vérifiez pour vous assurer que la marque de cercle sur le limiteur de température s'aligne avec le centre du point supérieur de la soupape.
- 4) Réinstallez le limiteur et le collier, puis ouvrez l'alimentation en eau.
- 5) Ouvrez l'eau et laissez-la couler pour environ 1 minute. Placez un thermomètre dans le jet d'eau tout en tournant la poignée vers le côté CHAUD. Cessez lorsque la lecture indique 104°F (40°C).



- 6) Laissez l'eau couler à une température de 104°F (40°C) et installez ensuite la poignée et le bouchon.

**REMARQUE : Si la soupape a été tournée accidentellement, répétez la procédure de calibrage.**

# Options d'installation

**1) Ensemble complet**

Pomme de douche  
Plaque de recouvrement pour mitigeur simple & soupape  
Plaque de recouvrement pour mitigeur double & soupape  
Plaque de recouvrement de robinet mélangeur & soupape  
Adaptateur de douche à main  
Bec verseur de baignoire  
Plaque de recouvrement de douche à main (Plaque & douche à main)

**2) Sans douche à main**

Pomme de douche  
Plaque de recouvrement pour mitigeur double & soupape  
Plaque de recouvrement de robinet mélangeur & soupape  
Bec verseur de baignoire

**3) Sans bec verseur mural**

Pomme de douche  
Douche à main  
Plaque de recouvrement pour mitigeur double & soupape  
Plaque de recouvrement de robinet mélangeur & soupape  
Plaque de recouvrement de robinet simple & soupape  
Plaque de recouvrement de douche à main (Plaque & douche à main)  
Adaptateur de douche à main  
Bec verseur de baignoire

**4) Pomme de douche seulement**

Pomme de douche  
Plaque de recouvrement pour mitigeur simple & soupape  
Plaque de recouvrement de robinet mélangeur & soupape

Description de produit	Numéro de pièce
Pomme de douche	TS170A#CP
Bec verseur de baignoire	TS170E#CP
Plaque de recouvrement de douche à main	TS170F#CP
Plaque de recouvrement pour mitigeur simple & soupape pour douche à main	TS170C1#CP
Adaptateur de douche à main	TSKH
Plaque de recouvrement pour mitigeur double	TS170D#CP

Description produit	Numéro de pièce
Plaque de recouvrement de robinet mélangeur thermostatique	TS170T#CP
Robinet mélangeur thermostatique SMA	TSKT
Plaque de recouvrement pour mitigeur simple & soupape pour pomme de douche	TS170C#CP
Soupape de contrôle de débit simple	TSKA
Soupape de contrôle de débit double	TSKD

#CP = Chrome poli

FRANÇAIS

# Pièces de rechange

No.	Description
1	ENSEMBLE DE VIS D'ADAPTEUR
2	RÉGLEUR DE TIGE
3	COLLIER LIMITEUR
4	LIMITEUR DE TEMPÉRATURE
5	ENTRETOISE
6	ÉCROU DE SERRAGE POUR SOUPAPE THERMO
7	JOINT TORIQUE
8	ASSEMBLAGE DE SOUPAPE THERMO
9	DISPOSITIF D'ARRÊT
10	FILTRE/CLAPET DE NON-RETOUR
11	ENSEMBLE D'ÉCROUS

# GARANTIE

1. TOTO® garantit ses robinets résidentiels et accessoires de bain (« Produit ») contre tout défaut de matériau et de fabrication pendant l'utilisation normale, lorsqu'ils sont correctement installés et maintenus pendant la durée de vie du produit à partir de la date d'achat du produit. La présente garantie limitée ne peut être prolongée que pour le seul ACHETEUR D'ORIGINE de l'appareil et n'est pas transférable à un tiers, y compris mais pas limité à tout acheteur ou propriétaire subséquent du produit. Cette garantie n'est applicable qu'aux produits achetés et installés en Amérique du Nord, Centrale, et du Sud.

2. Les obligations de TOTO selon les termes de cette garantie sont limitées à la réparation, remplacement ou autre ajustement en conséquent, au choix de TOTO, des produits ou des pièces défectueuses en service normal, pourvu qu'un tel produit ait été installé, utilisé et entretenu conformément aux instructions. TOTO se réserve le droit d'effectuer ce genre de vérifications en cas de nécessité afin de déterminer la cause du défaut. TOTO ne facturera pas les interventions ou les pièces relatives à la réparation et au remplacement sous garantie. TOTO n'est pas responsable du coût de désinstallation, de renvoi et/ou de réinstallation de l'appareil.

3. La garantie ne s'applique pas dans les cas suivants:

- a. Dommage ou perte suite à une cause naturelle telle que incendie, tremblement de terre, inondation, tonnerre, orage etc.
- b. Dommage ou perte causé par tout accident, utilisation non adaptée, abus, négligence ou mauvais traitement, nettoyage ou entretien de l'appareil, y compris l'utilisation d'agent abrasif ou l'utilisation d'autres produits de nettoyage de façon incompatible aux instructions de l'appareil.
- c. Dommage ou perte causé par des sédiments ou tout autre corps étranger contenus dans un réseau d'alimentation en eau.
- d. Dommage ou perte suite à une mauvaise installation ou à l'installation de l'appareil dans un environnement rude et/ou dangereux ou une mauvaise désinstallation, réparation ou modification de l'appareil.
- e. Dommage ou perte suite à des surtensions, foudres ou tous autres actes qui ne sont pas la responsabilité de TOTO, ou actes stipulés non supportables par le produit.
- f. Dommage ou perte résultant d'une usure normale et habituelle, telle que la diminution du lustre, grattage ou décoloration avec le temps, habitude de nettoyage, l'eau, ou des conditions atmosphériques.

4. Pour que la garantie limitée soit valable, la preuve d'achat est exigée. TOTO vous encourage à enregistrer votre produit après l'achat pour créer un record du propriété, cela peut être fait au site <http://www.totousa.com>. L'enregistrement du produit est complètement volontaire et à défaut de l'enregistrement ne va pas limiter votre droit au garantie limitée.

5. Si le produit est utilisé dans un but commercial ou installé en dehors de L'Amérique du Nord, Centrale ou du Sud, TOTO garantit que le produit est exempt de tous défauts matériels et de fabrication pour une utilisation normale pendant une durée de an (1) à partir de la date d'installation du produit, en plus de respecter tous les autres termes sauf la durée de cette garantie.

6. CETTE GARANTIE DONNE DES DROITS SPÉCIFIQUES. IL EST POSSIBLE QUE L'ACHETEUR AIT D'AUTRES DROITS QUI VARIENT DUN ÉTAT A UN AUTRE OU D'UNE PROVINCE À L'AUTRE.

7. Pour obtenir une réparation selon les termes de cette garantie, l'acheteur doit livrer le produit dans un centre de réparation de TOTO port payé avec preuve d'achat (reçu de caisse original), et une lettre expliquant le problème, ou contacter un distributeur de TOTO ou un entrepreneur de réparation du produit ou écrire directement à TOTO U.S.A., INC., Southern Road, Morrow, Géorgie 30260, (888) 295-8134 ou appelé (678) 466-1300, si en dehors de L'Etat Unis. Si, à cause de la taille du produit ou de la nature du défaut, il n'est pas possible de renvoyer le produit à TOTO, la réception par TOTO d'un avis écrit du défaut avec preuve d'achat (reçu de caisse original) constitue livraison. Dans un tel cas, TOTO peut choisir de réparer le produit chez l'acheteur ou de payer le transport du produit à un centre de réparation.

CETTE GARANTIE ÉCRITE EST LA SEULE GARANTIE FAITE PAR TOTO®. LA RÉPARATION, LE REMPLACEMENT OU TOUT AUTRE AJUSTEMENT APPROPRIÉ SELON LES TERMES DE CETTE GARANTIE EST LE SEUL RECOURS DE L'ACHETEUR INITIAL. TOTO N'EST PAS RESPONSABLE DE LA PERTE DU PRODUIT OU DE TOUT AUTRE DOMMAGE INDIRECT, SPÉCIAL OU SECONDAIRE OU DES DÉPENSES ENCOURUES PAR L'ACHETEUR INITIAL NI DE LA MAIN-D'OEUVRE OU AUTRES FRAIS ASSOCIÉS À L'INSTALLATION OU LA MANIPULATION, OU LES FRAIS DE RÉPARATION PAR DES TIERS, NI POUR TOUS AUTRES FRAIS PAS SPÉCIFIQUEMENT MENTIONNÉS. EN AUCUN CAS, LA RESPONSABILITÉ DE TOTO NE PEUT DÉPASSER LE PRIX D'ACHAT DU PRODUIT. SAUF QUAND INTERDITE PAR UNE LOI APPLICABLE, TOUTE GARANTIE SOUS-ENTENDUE, Y COMPRIS CELLE DE VENDABILITÉ OU D'APPLICATION POUR UN USAGE PARTICULIER, EST EXPRESSÉMENT REJETÉ. CERTAINES PAYS NE PERMETTENT PAS LA LIMITATION DE LA LONGUEUR D'UNE GARANTIE SOUS-ENTENDUE, OU L'EXCLUSION OU LA LIMITATION DES DOMMAGES INDIRECTS OU SECONDAIRES, IL EST DONC POSSIBLE QUE CETTE LIMITATION ET EXCLUSION NE S'APPLIQUE PAS À VOTRE CAS.