

TOTO®

NEOREST® Installation Instructions <Bowl>

The installation of the toilet bowl for the NEOREST® differs from installation of conventional toilet bowls. Be sure to read the following installation instructions and install the product only as described in this manual.

1 Always Follow This Precaution

Before installing the NEOREST®, be sure to read the safety instructions in "Always Follow This Precaution" and install the product only as described in the instructions. Precautionary symbols are used in these instructions to ensure safe and proper installation of the product and to prevent injury to the end-user and damage to personal property. The definitions of these precautionary symbols are as follows.

Symbol	Definition
	WARNING When this symbol appears, precaution should be taken to ensure proper and safe use of the product. Ignoring this precaution could result in injury or damage to personal property.

There are two types of precautionary symbols. The symbols and definitions appear below.

	This symbol indicates a prohibited use of the product.		This symbol means "Always Follow This Precaution".
--	--	--	--

WARNING	
	Avoid direct impact to the ceramic components as this will break the ceramic and could result in injury or property damage due to water leakage.
	Always use the provided or designated parts for the installation process.

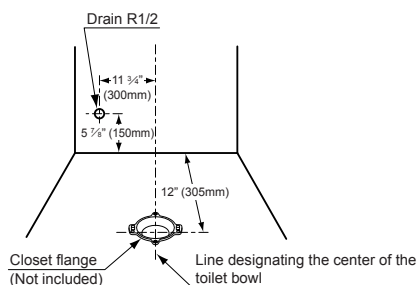
2 Parts Included in the Installation Kit

* Before installation, confirm that the parts listed below are included in the kit.

Part Name	Quantity	Drawing	
Toilet	1		
Outlet connection (with rubber joint)	1		
Metal Fittings	Hex bolts	2	
	Mounting plates	2	
	Nuts	2	
	Washers (for outlet connection)	2	
	Self tapping screws (for outlet connection)	4	
	Mounting block	1	
	Pan head screw	1	
	Washers (for mounting block)	2	
Self tapping screws (for mounting block)	2		
Installation manual	1	This manual	
Installation template	1		
Water diverter cover (with small screw)	1		
Decorator Caps	Screw cap (front)	1	
	Decorative caps (back)	2	
Water Supply Connectors	Water shutoff valve	1	
	Water supply hose (with gasket)	1	
	Connecting hose fastener	1	

3 Before Installing the NEOREST®

- Confirm that there is enough floor space to install the toilet unit and that the bathroom door will open/close without obstruction.
- Confirm that the position of the drain hole and pipes are properly lined up as designated in the drawing.



Water Pressure.

The NEOREST® is designed to operate under a minimum working pressure of 10 psi flowing. It should be noted that the standard range of working pressure allowed by model codes is 20 to 80 psi static.* It is necessary to install the water shutoff valve (angle stop) provided with the NEOREST®. This will assure the proper flow ratio is achieved and allow for optimum performance of the unit.

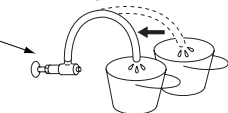
*See warranty for details.

How to check the water pressure:

If a pressure gauge is unavailable, the fill method may be used as follows.

(Measuring Procedure)

NEOREST® water shutoff valve fully open condition.



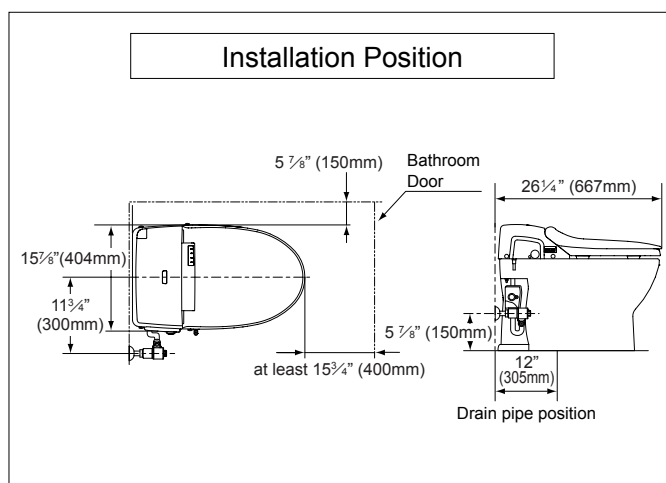
Allow the water to flow into the bucket for 10 seconds and measure the water volume.

The following water volumes will ensure sufficient water pressure.

Water volume (for 10 sec)
1.5 Gallons (5.5L) or more
NEOREST® water supply valve fully open condition

Prepare two buckets to hold the water.

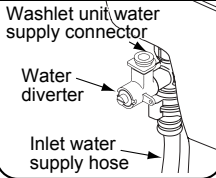
Product Diagram



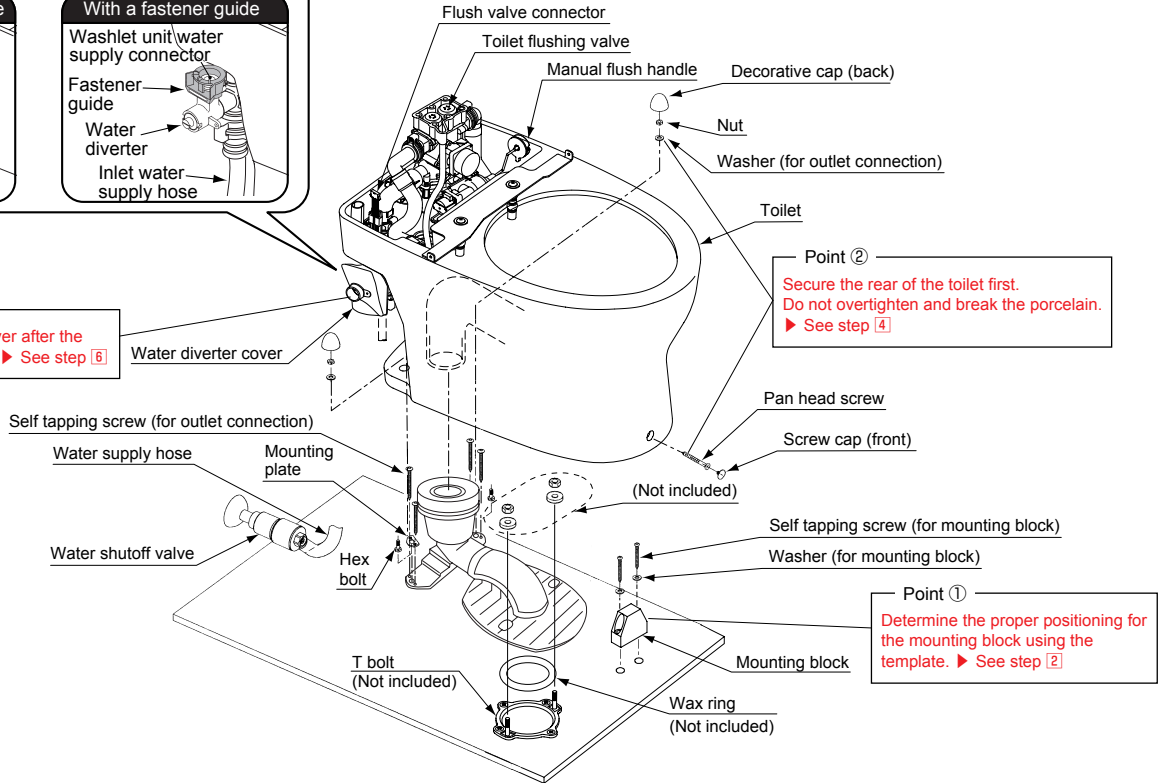
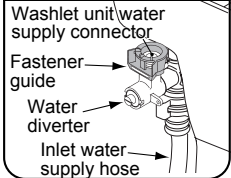
4 Parts and Installation instructions

❖ Depending on the time of manufacture, there may or may not be a fastener guide.

Without a fastener guide



With a fastener guide



Point ②
Secure the rear of the toilet first.
Do not overtighten and break the porcelain.
▶ See step [4]

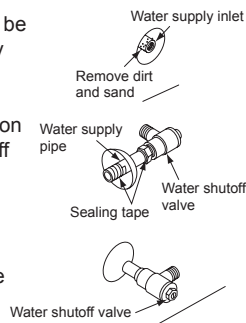
Point ③
Attach the water diverter cover after the Washlet has been installed. ▶ See step [6]

Point ①
Determine the proper positioning for the mounting block using the template. ▶ See step [2]

5 Installation Procedures

1 Installing the water shutoff valve

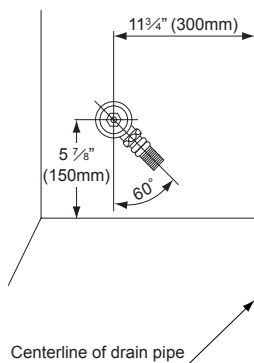
- Before installing the water shutoff valve, be sure to remove any dirt or sand that may have become lodged inside the valve.
- Wrap the sealing tape around the fitting on the water supply pipe of the water shutoff valve.
- Please make sure that the water supply from the water shutoff valve faces downward at a 60° angle and toward the side of the toilet.



WARNING

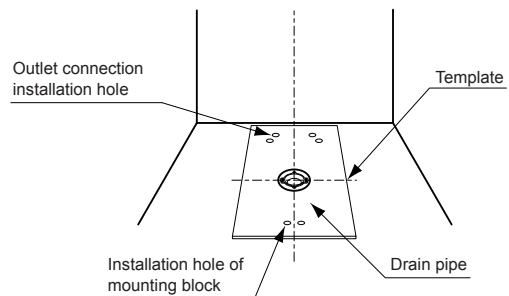


Installing in the wrong direction could lead to twisting of the hose, causing flushing problems or leaks.



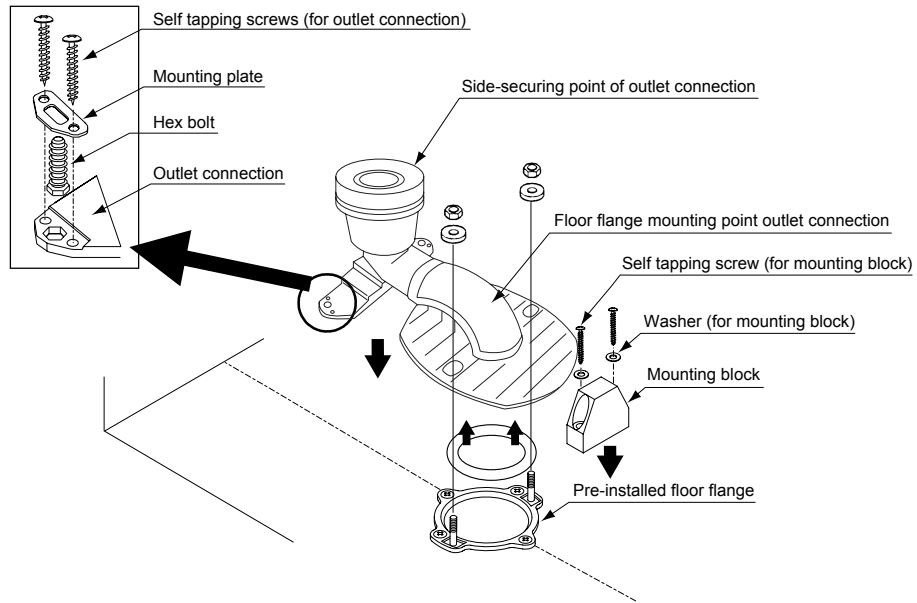
2 Positioning the installation holes with the template

- Align the template with the centerline of the drain pipe on the floor.
- Mark the installation position for the mounting block and the outlet connection.



3 Fixing the outlet connection and the mounting blocks

- ① The hex bolt should be placed in the hexagon shaped hole. The mounting plate should be placed over the bolt and screwed into the floor with self tapping screws.
- ② To attach the front part, mount to the floor flange with "T" bolts, washers and nuts (Not included).
- ③ The front mounting block is then attached with self-tapping screws.



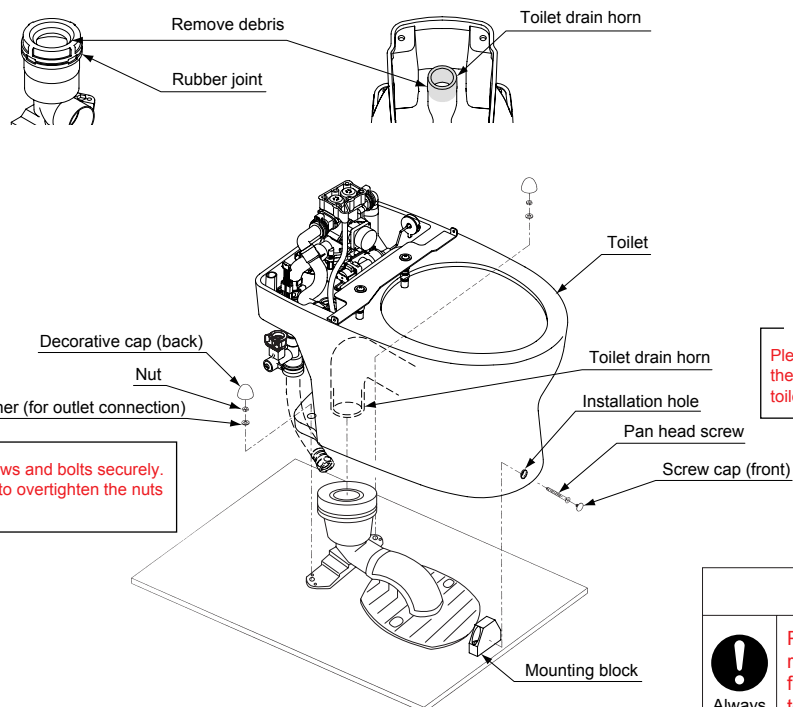
! WARNING



Please place the head of the hex bolt securely in the hexagonal hole in the outlet connection. If it isn't placed securely in the hole, the toilet could wobble.

4 Toilet Installation

- ① Remove debris from around the periphery of the rubber joint on the outlet connection and the drain horn underneath the toilet before inserting the drain horn into the outlet connection.
- ② Affix the installation holes (two holes) at the back of the toilet to the outlet connection with the washers and nuts and put the decorative caps on.
- ③ Insert the pan head screw into the installation hole at the front of the toilet and secure the toilet to the mounting block. Press the screw cap into the screw head.



Procedure ①
Please tighten all screws and bolts securely. Please be careful not to overtighten the nuts and crack the toilet.

Procedure ②
Please be careful not to over-tighten the pan head screw and crack the toilet.

! WARNING



Always Do

Please be sure to secure the rear of the toilet first. If the front end is secured first, the toilet could slide rearward, resulting in leaks.

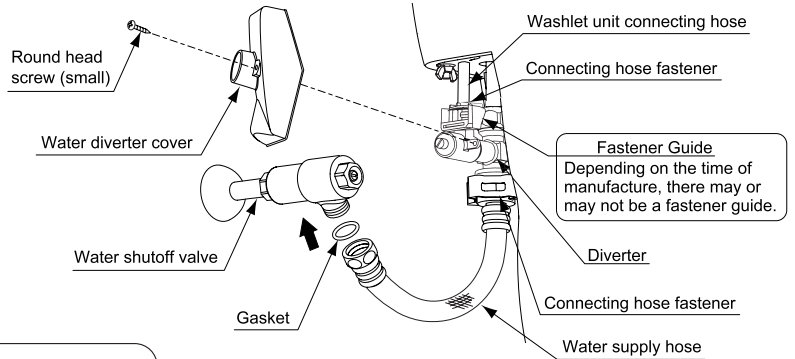


5 Installing the Washlet units

Refer to the installation instructions included in the packaging for the Washlet unit.

6 Installation of the water supply hose and water diverter cover

- 1 Put the gasket in the closed end nut and secure to the water shutoff valve.
- 2 Connect the connecting hose in the Washlet unit. For more details, please see the installation manual packed with the Washlet unit.



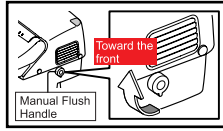
- 3 Run through a trial operation and check for leaks.

! WARNING



Required

When checking the water flow the first time, if you are making the check with the "manual flush handle", **be sure to turn it toward the front (toward the rim).** If you turn it "towards the rear," there is a chance that air in the pipes will cause the water to continue flowing.



- 4 Attach the water diverter cover.

For Better Results

The manufacturer recommends that silicone caulking be applied around the bottom of the toilet bowl base to prevent water and urine from seeping under the flooring material, resulting in a stained floor.

