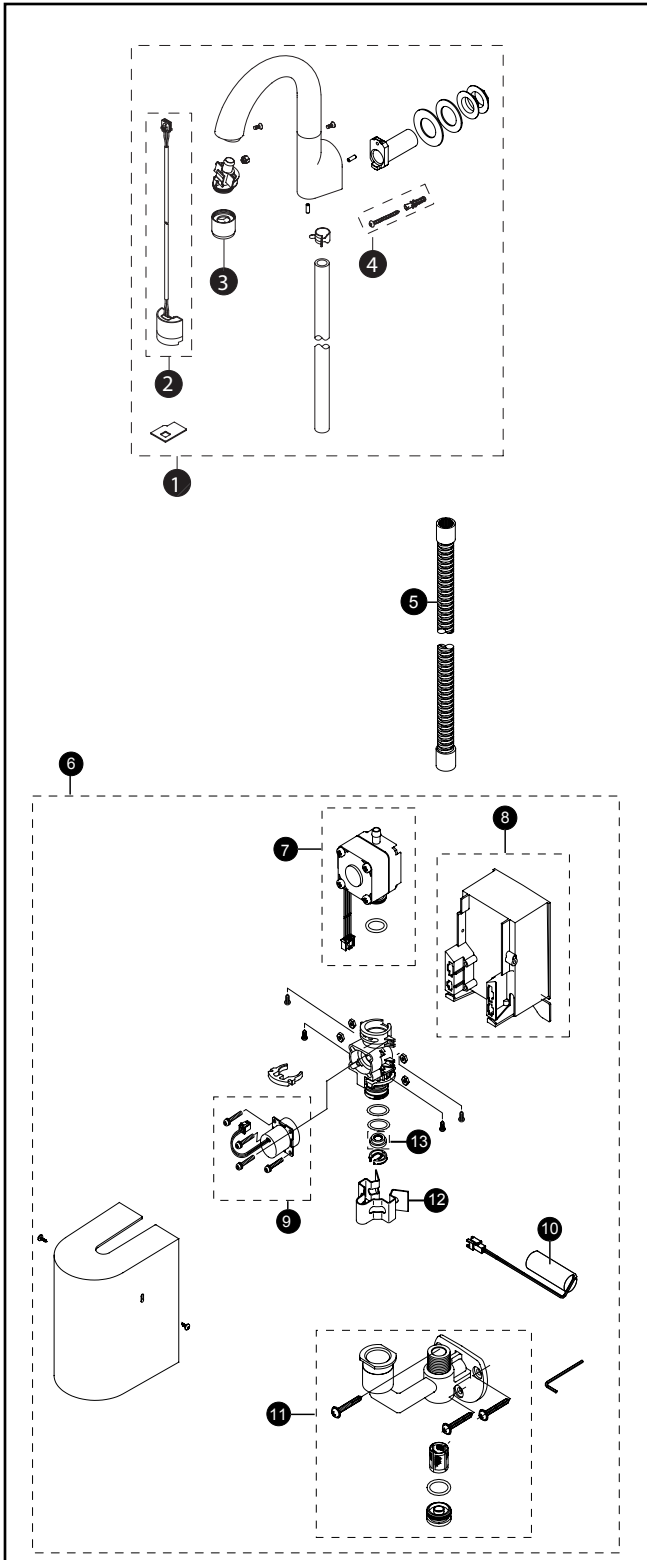


TEL3GGW10#CP  
 TEL3GGW60#CP  
 TEL210GRV100 (Spout)  
 TN78-9V510 (TEL3GGW10#CP Dynamo)  
 TN78-9V560 (TEL3GGW60#CP Dynamo)

**Sensor Faucet, Gooseneck Wall Mount Spout  
 Self-Generating EcoPower® System  
 Single Supply, 1.0GPM**



Item	Part	Description
1	TEL210GRV100	Spout Assembly (Without Flexible Tube)
2	TH559EDV405	Sensor
3	TH559EDV564	Nozzle Assembly Set (Aerator Flow Type)
	TH559EDV432	Nozzle Assembly Set (Laminar Flow Type)
4	THP4514	Machine Screw and Wall Anchor
5	THU3023	Flexible Tube (Regular Spout)
6	TN78-9V510	Dynamo Assembly (TEL3GGW10#CP)
	TN78-9V560	Dynamo Assembly (TEL3GGW60#CP)
7	TH559EDV462	Dynamo Hydropower Generator
8	TH559EDV559	Single Dynamo Control Unit 10 sec.
	TH559EDV461	Single Dynamo Control Unit 60 sec.
9	TH559EDV464	Solenoid and Diaphragm Assembly
10	TH559EDV410R	Back-Up Battery
11	TH559EDV466R	Mounting Bracket Set
12	TH559EDV255	Metal Clip
13	TH559EDV572	1.0 gpm Flow Regulator

**Product Number Explanations**

**Faucet**

- (T) Fitting
- (E) Electronic
- (L) Lavatory
- (3) Single Supply
- (G) Generator Type
- (GW) Gooseneck Wall Mount Spout
- (10) 10 Second
- (60) 60 Second
- (#CP) Chrome Finish