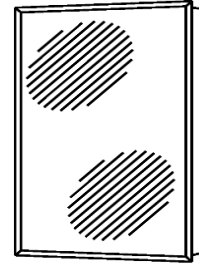


Topsider MEDICINE CABINET

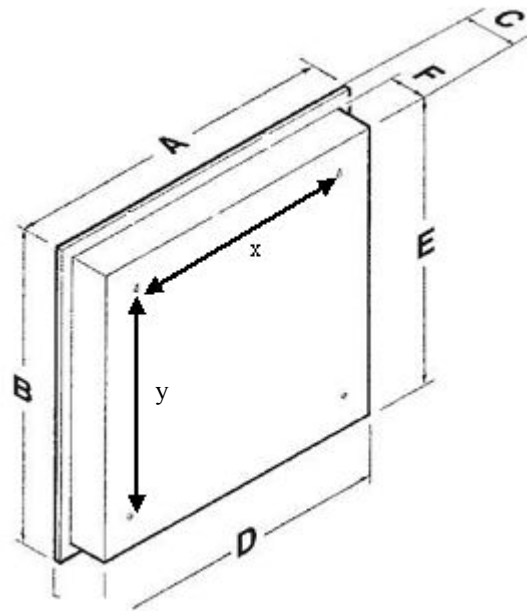


FEATURES/TYPICAL SPECIFICATIONS

- Surface mount installation
 - Pre-drilled mounting holes (y = 11.625 center-to-center and x = 11" center-to-center)
- Formed and welded surface design steel housing (WB/ST)
 - 25 gauge steel construction with white, heat cured, acrylic paint finish
- Frameless mirror door
 - 1/8" thick float glass mirror door front with flat polished edges (POL1)
 - 26 gauge steel door back with white, heat cured, acrylic paint finish
- Continuous piano hinge (HG01)
 - 16" hinge is welded to door and mechanically fastened to cabinet body
- Magnetic catch in cabinet body flange aligns to stainless steel striker plate on the door (1 typical)
- Reversible for left-hand or right-hand door swing
- 26 gauge galvanized steel shelves with white, heat cured, enamel paint finish (3 typical)
 - Fixed shelves — removable (FX2)
- Includes installation hardware
- Pallet Quantity = 42 units

Finishes:

Housing: PT01—Basic White
 Mirror: POL1—Pencil Polish Edge
 Frame: Frameless



DIMENSIONS IN INCHES*

Model #	Description	A	B	C	D	E	F
235P26WH	Topsider 1DR 16X26 POL1 WB/ST STFX2	16	26	5	13½	23½	4½

REFERENCE	QTY.	REMARKS	Project
			Location
			Architect
			Engineer
			Contractor
			Submitted by
			Date

* All models and material specifications are subject to change or withdrawal without notice.