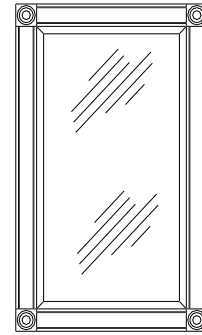




SOHO SERIES BATH CABINETS



FEATURES

- Recess mounted installation
- Easy to clean, heavy-gauge steel construction
- 5/32" thick glass mirror with 1" bevel
- Solid wood frame cherry or maple
- White powder coat finish
- Full piano hinge
- Adjustable glass shelves
- Reversible for left-hand or right-hand door opening
- Includes mounting hardware

TYPICAL SPECIFICATION

Bathroom cabinet shall be Soho Series Model 850C, (850M).

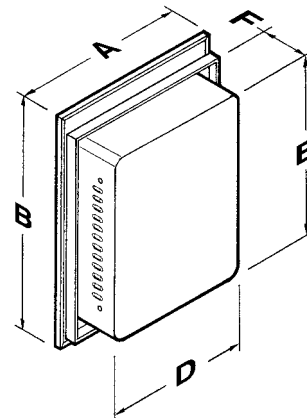
Bathroom cabinet shall be of fabricated heavy gauge steel construction finished in white powder coat after forming.

Beveled glass mirror shall have full surround of a Victorian style wood frame. Steel door back shall be screwed tight on the frame and finished in white powder coat to match the cabinet.

Cabinet shall have full piano hinge with built-in door stop and a magnetic door catch.

Cabinet shall be reversible for left-hand or right-hand installation.

MODEL NO.	WOOD FRAME	OVERALL		WALL OPENING			# OF SHELVES
		A	B	D	E	F	
850C	Cherry	17 ³ / ₁₆	27 ⁷ / ₁₆	14	24	3 ¹ / ₂	3 (adj) glass
850M	Maple	17 ³ / ₁₆	27 ⁷ / ₁₆	14	24	3 ¹ / ₂	3 (adj) glass



Broan-NuTone LLC, 926 West State Street, Hartford, WI 53027 (1-800-637-1453)

REFERENCE	QTY.	REMARKS	Project
			Location
			Architect
			Engineer
			Contractor
			Submitted by Date