

CHICAGO FAUCETS



2100 SOUTH CLEARWATER DRIVE
DES PLAINES, ILLINOIS 60018-5999

Last As Long As The Building

FITTING NO.

952-1/2

SUBMITTED MODEL NO.

JOB NAME

ITEM NO.

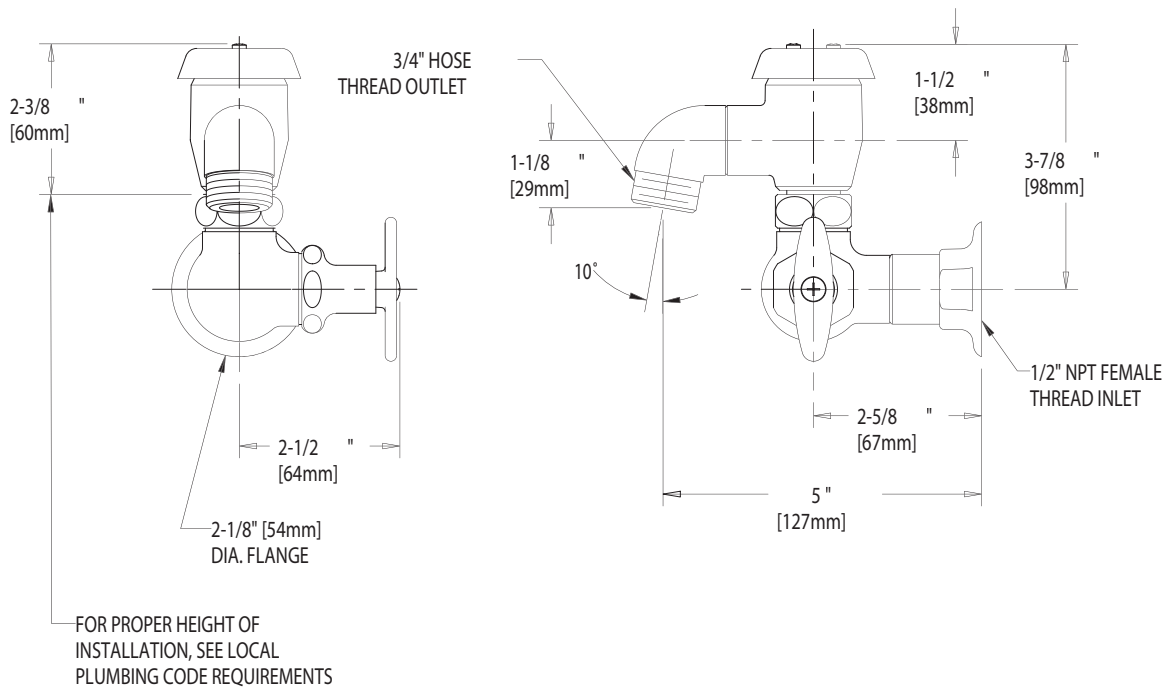
SUBMITTED AS SHOWN

SUBMITTED AS NOTED

SEE ATTACHED FOR
SUBMITTED MODIFICATION

IS ASSUMED FOR USE OF SUPERCEDED OR VOIDED DATA.

ROUGHING IN DIMENSIONS MAY VARY AND ARE SUBJECT TO CHANGE. NO RESPONSIBILITY



DIMENSIONS IN INCHES AND [MILLIMETERS].

TECHNICAL DATA

- INSIDE SILL FITTING
- VACUUM BREAKER SPOUT
- 3/4" MALE HOSE THREAD OUTLET
- 293-6 LOOSE KEY HANDLE
- SLOW COMPRESSION CARTRIDGE
- FINISH: CHROME PLATE

- ASME A112.18.1M
- CSA B125

DATE: 6-26-02

BY: JAR

CHK'D:

APP'D:

REV: A

952-1/2