

CHICAGO FAUCETS

Last As Long As The Building



2100 SOUTH CLEARWATER DRIVE
DES PLAINES, ILLINOIS 60018-5999

FITTING NO.

782-VB

SUBMITTED MODEL NO.

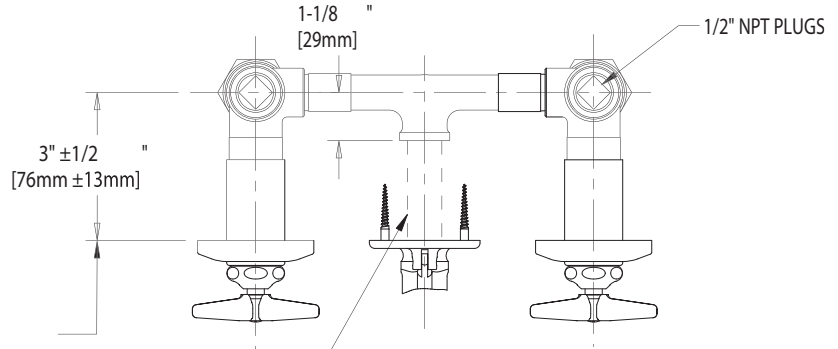
JOB NAME

ITEM NO.

SUBMITTED AS SHOWN

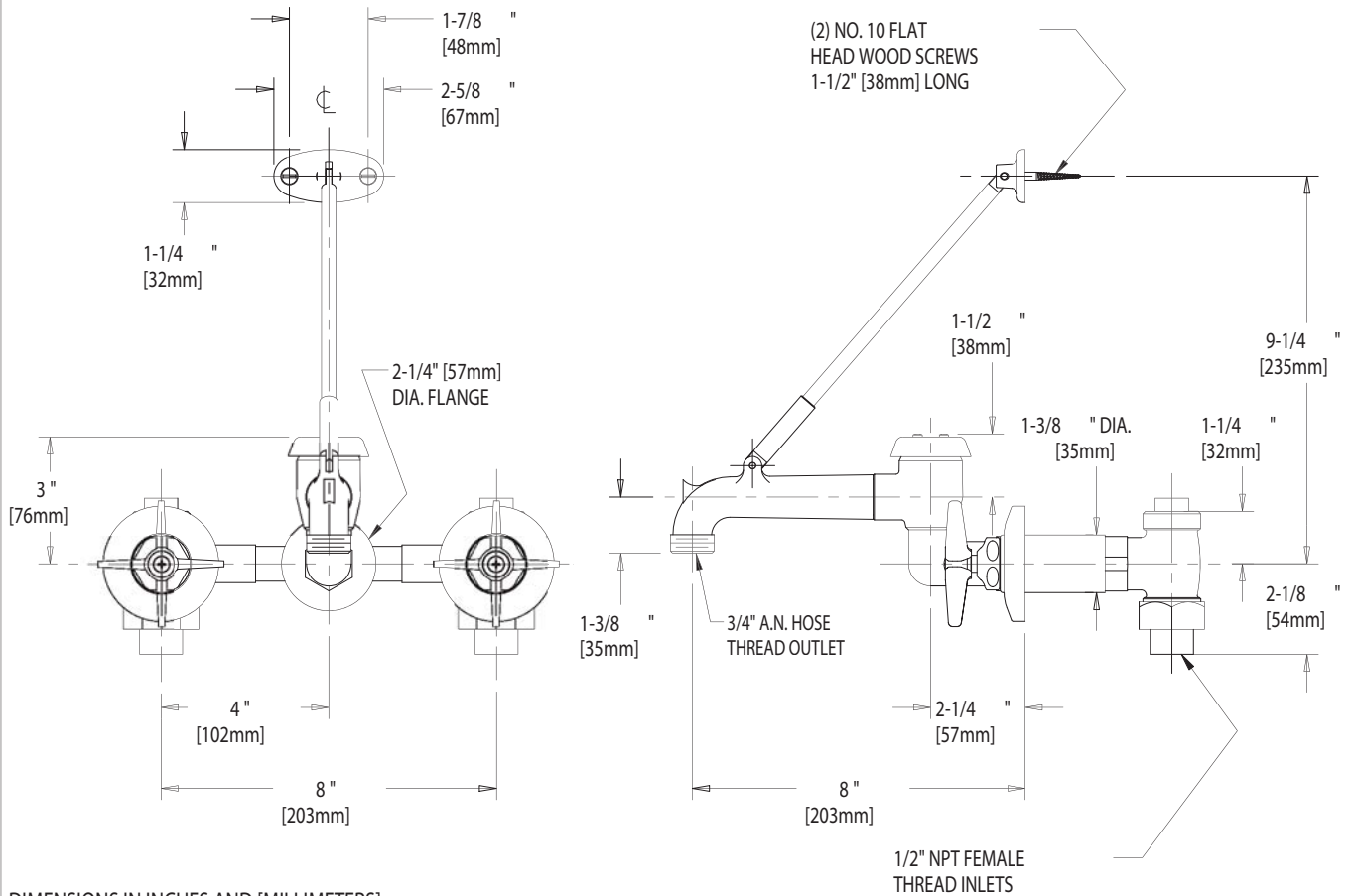
SUBMITTED AS NOTED

SEE ATTACHED FOR
SUBMITTED MODIFICATION



NOTE: 1/2" IPS NIPPLE
SUPPLIED BY OTHERS

FRONT VIEW



(2) NO. 10 FLAT
HEAD WOOD SCREWS
1-1/2" [38mm] LONG

1/2" NPT FEMALE
THREAD INLETS

DIMENSIONS IN INCHES AND [MILLIMETERS].

TECHNICAL DATA

- WALL MOUNTED CONCEALED FITTING
- RIGID VACUUM BREAKER SPOUT
- 633 INDEXED CROSS HANDLES
- SLO-COMPRESSION CARTRIDGES
- FINISH: CHROME PLATE

- PAIL HOOK AND WALL SUPPORT
- ASME A112.18.1M COMPLIANT
- CSA B125 COMPLIANT

DATE: 05-14-02

BY: SID

CHK'D:

APP'D:

REV: A

782-VB

IS ASSUMED FOR USE OF SUPERCEDED OR VOIDED DATA.

ROUGHING IN DIMENSIONS MAY VARY AND ARE SUBJECT TO CHANGE. NO RESPONSIBILITY