

CHICAGO FAUCETS

Last As Long As The Building



2100 SOUTH CLEARWATER DRIVE
DES PLAINES, ILLINOIS 60018-5999

FITTING NO.

737

SUBMITTED MODEL NO.

JOB NAME

ITEM NO.

SUBMITTED AS SHOWN

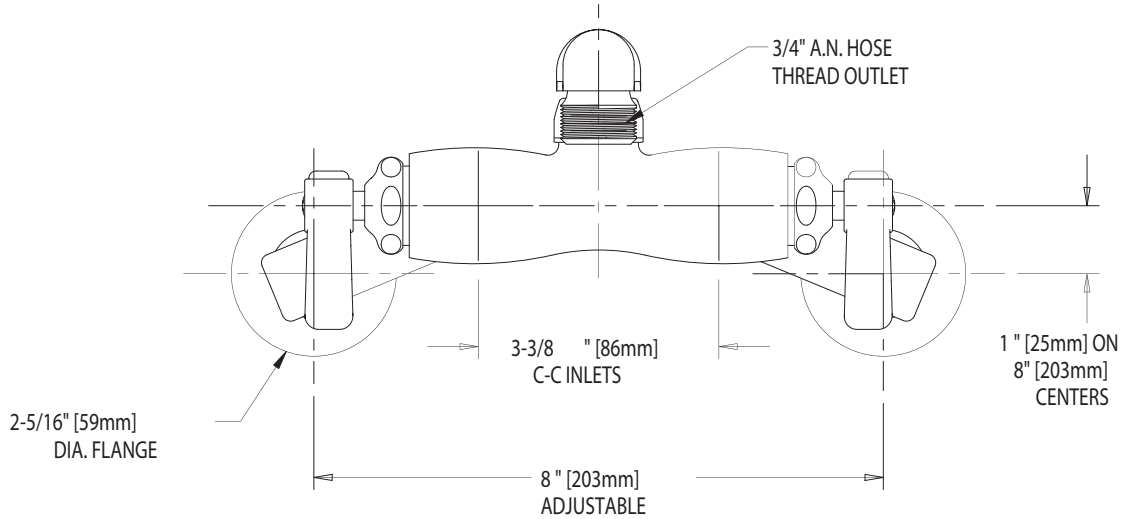
SUBMITTED AS NOTED

SEE ATTACHED FOR
SUBMITTED MODIFICATION

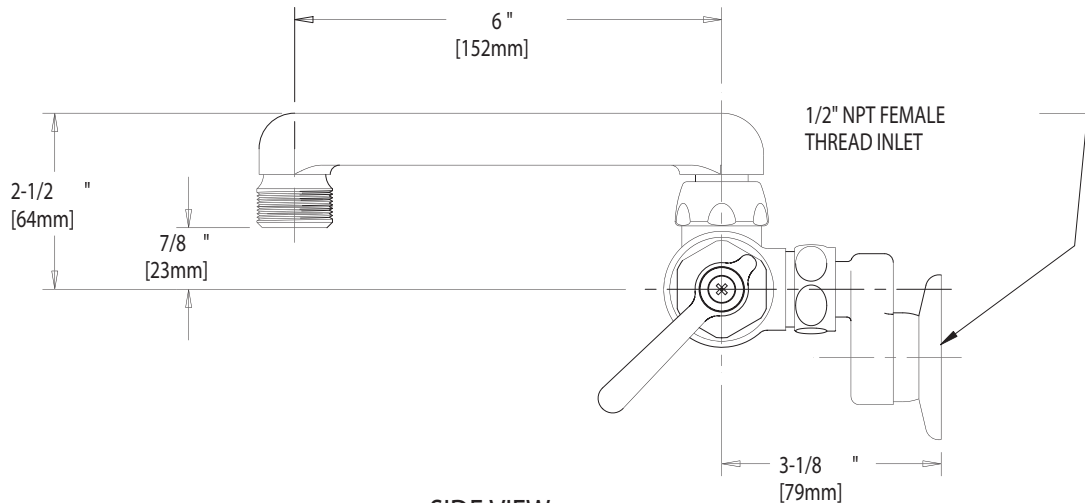
NOTE: INSTALLATION OF THIS FITTING
SHOULD CONFORM TO LOCAL PLUMBING CODE
REQUIREMENTS FOR BACKFLOW PREVENTION.
(E27 VACUUM BREAKER OR EQUIVALENT)



ADA COMPLIANT



FRONT VIEW



SIDE VIEW

DIMENSIONS IN INCHES AND [MILLIMETERS].

TECHNICAL DATA

- WALL MOUNTED FITTING
- S6 CAST SWING SPOUT
- 369 LEVER HANDLES
- QUATURN CARTRIDGES
- 'H' ADJUSTABLE SUPPLY ARMS
- FINISH: ROUGH CHROME

- E2 3/4" MALE HOSE THREAD OUTLET
- ASME A112.18.1M COMPLIANT
- CSA B125 COMPLIANT

DATE: 05-03-02

BY: SID

CHK'D:

APP'D:

REV: A

737

IS ASSUMED FOR USE OF SUPERCEDED OR VOIDED DATA.

ROUGHING IN DIMENSIONS MAY VARY AND ARE SUBJECT TO CHANGE. NO RESPONSIBILITY