

CHICAGO FAUCETS



2100 SOUTH CLEARWATER DRIVE
DES PLAINES, ILLINOIS 60018-5999

FITTING NO.

540-LDL8

SUBMITTED MODEL NO.

Last As Long As The Building

JOB NAME

ITEM NO.

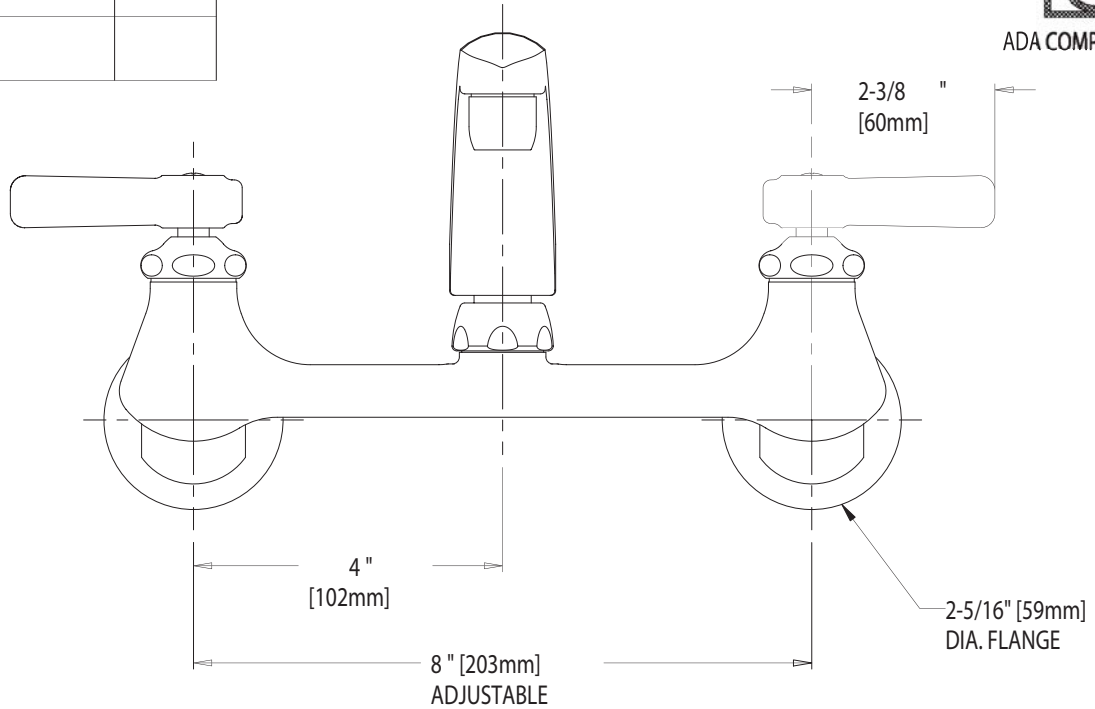
SUBMITTED AS SHOWN

SUBMITTED AS NOTED

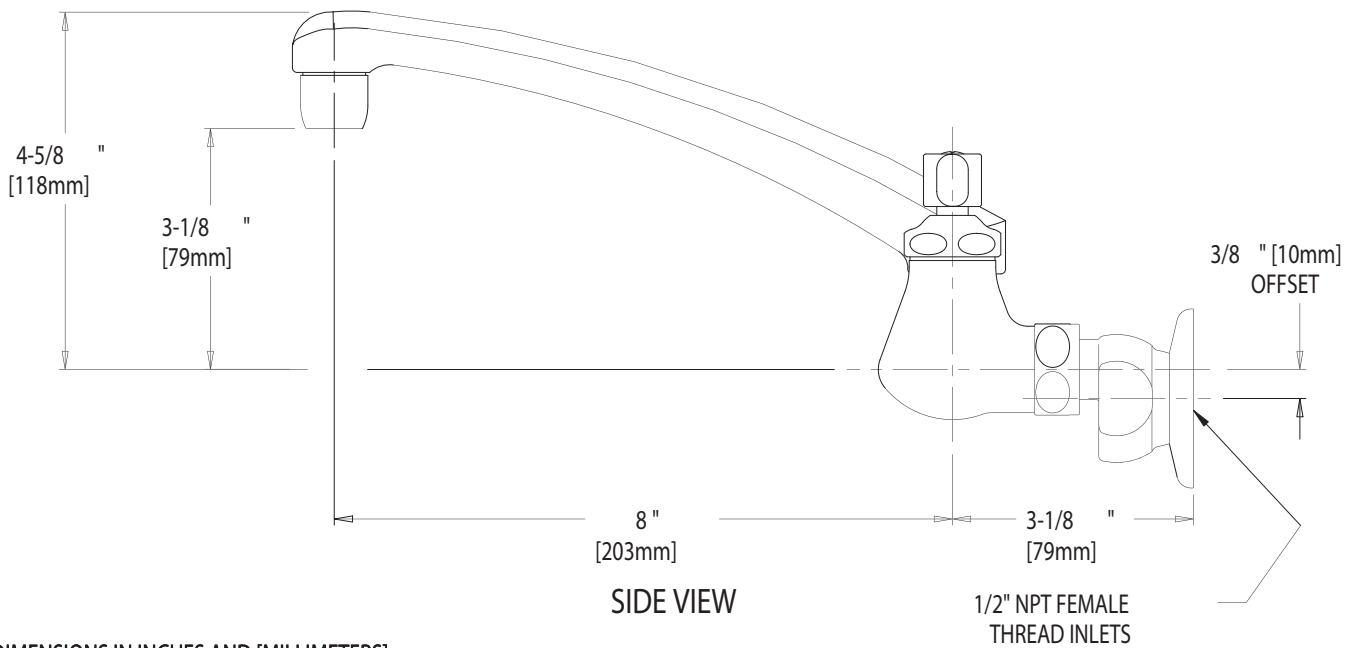
SEE ATTACHED FOR
SUBMITTED MODIFICATION



ADA COMPLIANT



FRONT VIEW



SIDE VIEW

1/2" NPT FEMALE
THREAD INLETS

DIMENSIONS IN INCHES AND [MILLIMETERS].

TECHNICAL DATA

- WALL MOUNTED FITTING
- L8 CAST SWING SPOUT
- 369 INDEXED LEVER HANDLES
- QUATURN OPERATING CARTRIDGES
- 'G' ADJUSTABLE SUPPLY ARMS
- FINISH: CHROME PLATE

- E3 SOFTFLO AERATOR
- 2.2 GPM (8.3 L/min.) FLOW RATE
- ASME A112.18.M COMPLIANT
- CSA B125 COMPLIANT
- NSF 61 COMPLIANT

DATE: 04-26-02

BY: SID

CHK'D:

APP'D:

REV: A

540-LDL8

IS ASSUMED FOR USE OF SUPERCEDED OR VOIDED DATA.

ROUGHING IN DIMENSIONS MAY VARY AND ARE SUBJECT TO CHANGE. NO RESPONSIBILITY