

# CHICAGO FAUCETS

a Geberit company



2100 SOUTH CLEARWATER DRIVE  
DES PLAINES, ILLINOIS 60018-5999

FITTING NO.

515

SUBMITTED MODEL NO.

JOB NAME

ITEM NO.

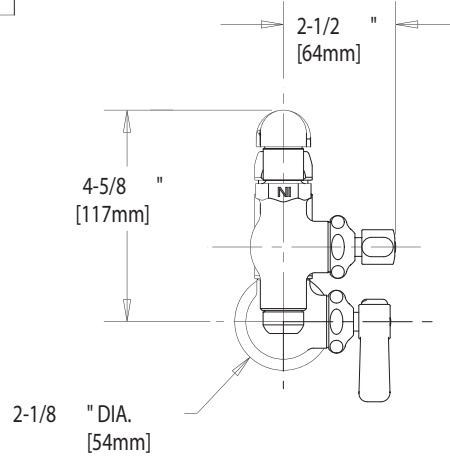
SUBMITTED AS SHOWN

SUBMITTED AS NOTED

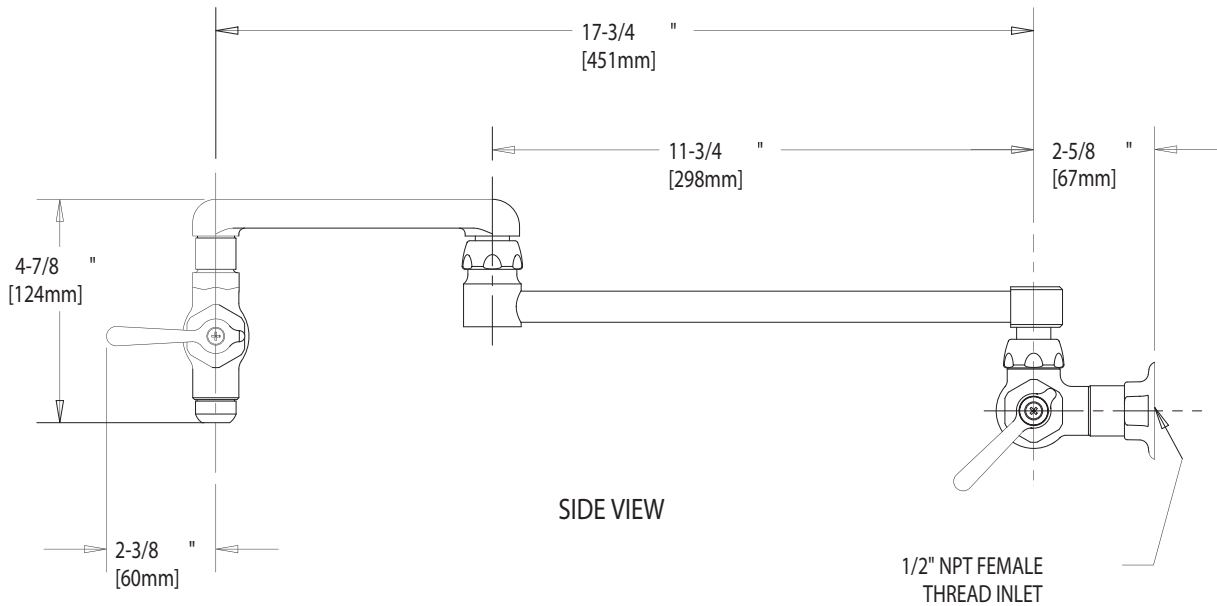
SEE ATTACHED FOR  
SUBMITTED MODIFICATION



ADA COMPLIANT



FRONT VIEW



SIDE VIEW

1/2" NPT FEMALE  
THREAD INLET

TECHNICAL DATA

- WALL MOUNTED POT FILLER
- DJ18 DOUBLE JOINTED SWING SPOUT
- 369 INDEXED LEVER HANDLE
- QUATURN OPERATING CARTRIDGES
- FINISH: CHROME PLATE

- E31 OUTLET VALVE WITH E1 QUIXTOP
- 269 HEAT RESISTANT LEVER HANDLE
- ASME A112.18.1M COMPLIANT
- CSA B125 COMPLIANT
- NSF 61 COMPLIANT

DATE: 03-09-05

BY: SID

CHK'D:

APP'D:

REV: C

515

IS ASSUMED FOR USE OF SUPERCEDED OR VOIDED DATA.

ROUGHING IN DIMENSIONS MAY VARY AND ARE SUBJECT TO CHANGE. NO RESPONSIBILITY