

# PARTS LIST

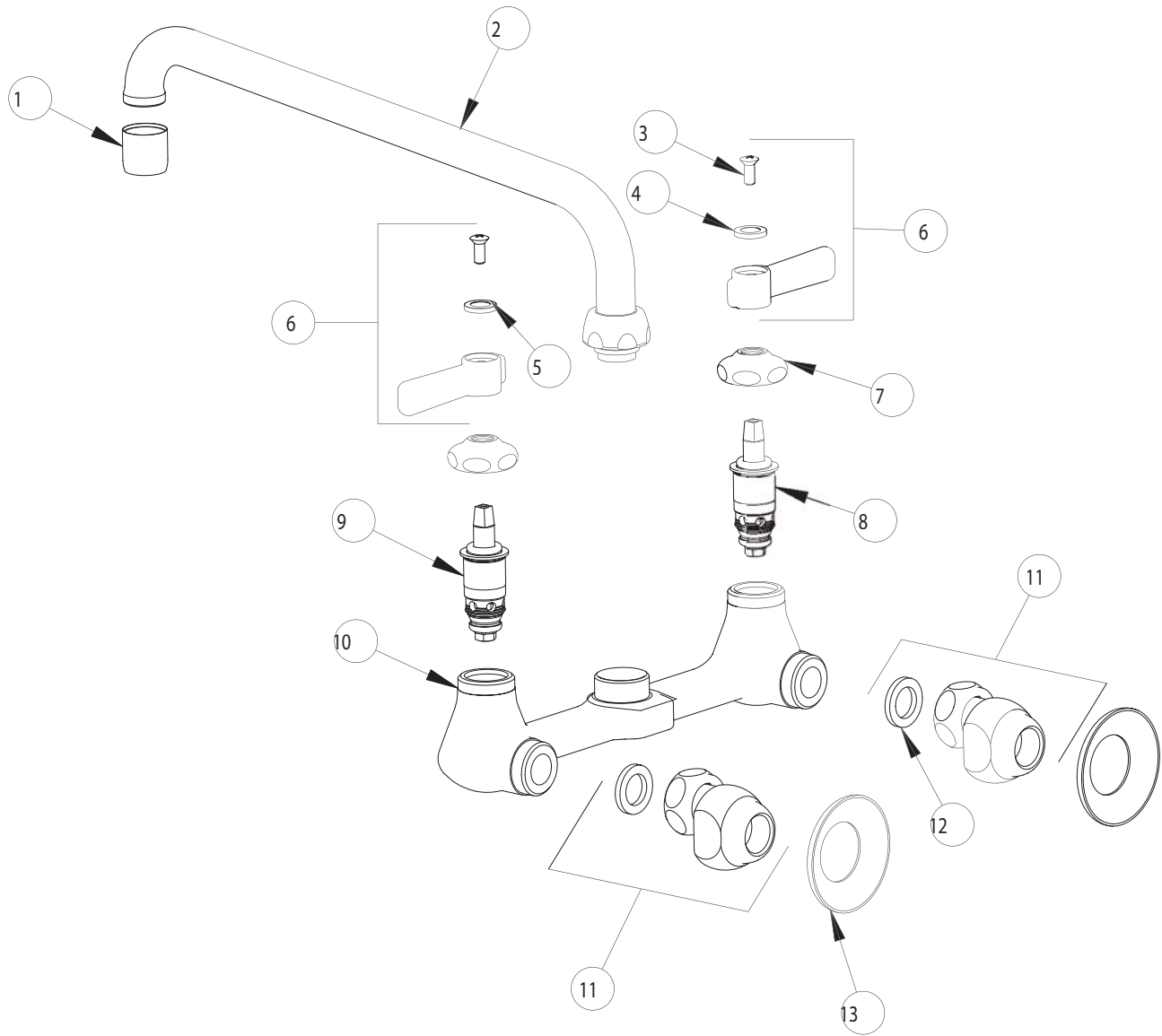
BY: SID  
CHK'D:



FINISH:  
DATE:

AS SPECIFIED  
09-06-01

540-LDL12



ITEM NO.	PART NO.	DESCRIPTION	ITEM NO.	PART NO.	DESCRIPTION
1	E3	SOFTFLO OUTLET	8	1-100XT	QUATURN UNIT (LH)
2	L12	FOR PARTS SEE L12 WITH E3	9	1-099XT	QUATURN UNIT (RH)
3	420-010	SCREW	10	-----	VALVE BODY (NOT SOLD SEPARATELY)
4	633-023	INDEX BUTTON (RED)	11	'G'	ARM ASSEMBLY WITH WASHER
5	633-123	INDEX BUTTON (BLUE)	12	1-011	WASHER
6	369PR	LEVER HANDLE ASSEMBLY	13	1-055	FLANGE
7	1-214	CAP			