

PARTS LIST

BY:

SID



FINISH:

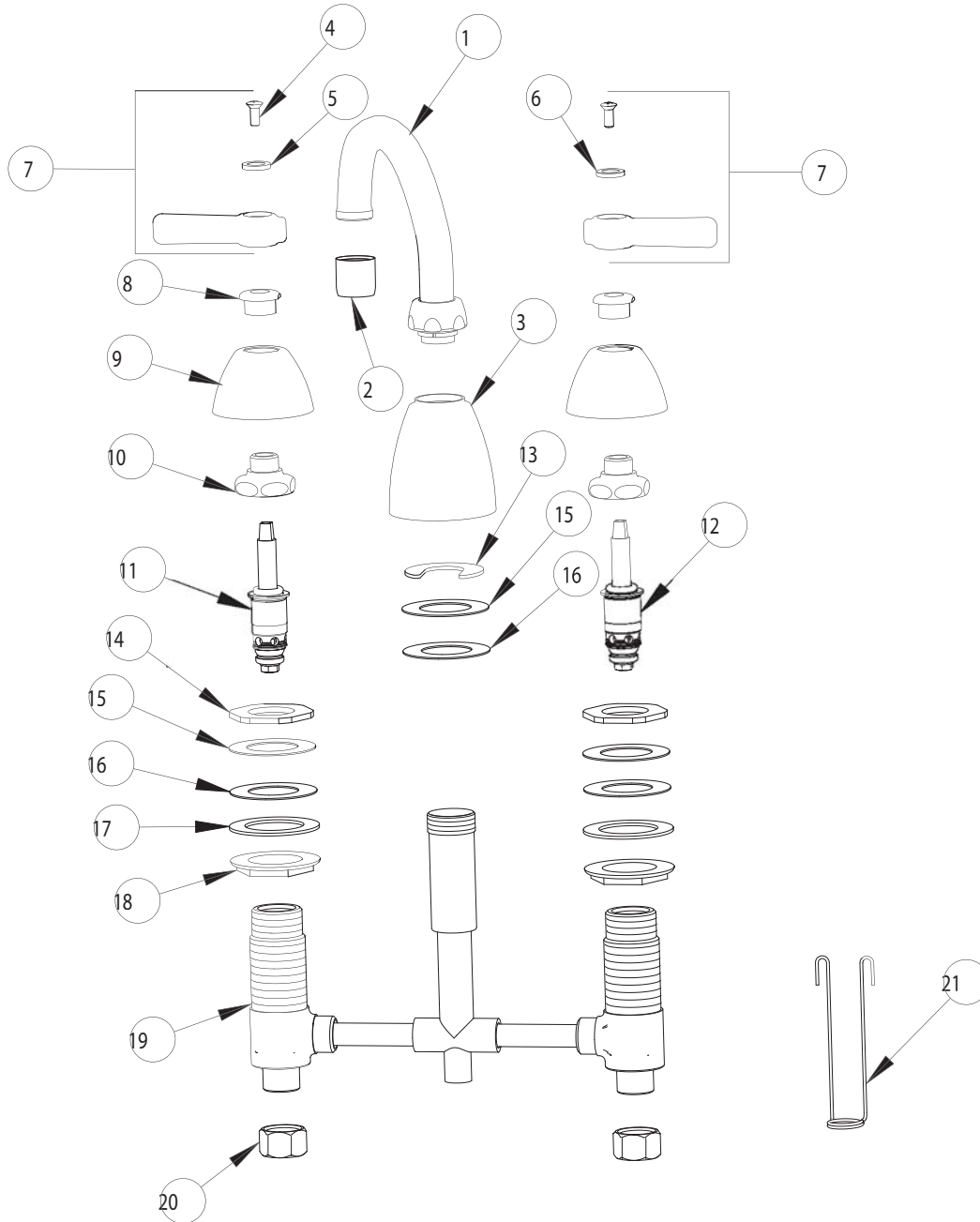
AS SPECIFIED

CHK'D:

DATE:

08-22-01

201A



| ITEM NO. | PART NO. | DESCRIPTION | ITEM NO. | PART NO. | DESCRIPTION |
|----------|----------|--------------------------|----------|----------|----------------------------------|
| 1 | L9 | FOR PARTS SEE L9 WITH E3 | 12 | 377XTRH | RH QUATURN CARTRIDGE |
| 2 | E3 | SOFTFLO OUTLET | 13 | 200-006 | C-WASHER |
| 3 | 890-259 | SPOUT ESCUTCHEON | 14 | 308-003 | LOCKNUT |
| 4 | 420-010 | SCREW | 15 | 888-006 | BRASS WASHER |
| 5 | 633-023 | INDEX BUTTON (RED) | 16 | 739-056 | RUBBER WASHER |
| 6 | 633-123 | INDEX BUTTON (BLUE) | 17 | 55-010 | STEEL WASHER |
| 7 | 369PR | LEVER HANDLE ASSEMBLY | 18 | 250-004 | LOCKNUT |
| 8 | 422-113 | ESCUTCHEON NUT | 19 | ----- | VALVE BODY (NOT SOLD SEPARATELY) |
| 9 | 250-080 | ESCUTCHEON | 20 | 49-005 | COUPLING NUT |
| 10 | 274-004 | CAP NUT | 21 | 200-007 | HANGER |
| 11 | 377XTLH | LH QUATURN CARTRIDGE | | | |