

## 445-ABCP

### Wall Mounted Faucet

#### PRODUCT TYPE

Wall Mounted Faucet

#### FEATURES & SPECIFICATIONS

- Polished chrome plated finish
- ECAST design provides durable brass construction with total lead content less than 0.25% by weighted average
- Adjustable 4" - 8 3/8" centers
- 6" C-C cast swing spout, catalog #S6
- 2.2 GPM (8.3 L/min) pressure compensating aerator outlet, catalog #E3
- 2 3/8" Lever handles with secured color coded index buttons, catalog #369
- Quatern™ quarter-turn renewable compression cartridge that closes with water pressure with tapered square broach to facilitate handle removal, catalog #1-100XT and #1-099-XT
- 2 1/2" offset adjustable supply arms with 1/2" NPT female inlets, catalog #H
- Loose wall flanges

#### PERFORMANCE SPECIFICATION

- Rated Operating Pressure: 20-125 PSI
- Rated Operating Temperature: 40-140° F

#### WARRANTY

- Lifetime Limited Faucet Warranty
- 5-Year Limited Cartridge Warranty
- 1-Year Limited Finish Warranty

#### COMPLIANT TO

- California Lead Plumbing Law (AB1953)
- NSF 61, Sec. 9
- CSA B125
- ASME A112.18.1
- ADA

Job Name	_____
Item Number	_____
Section/Tag	_____
Model Specified	_____
Architect	_____
Engineer	_____
Contractor	_____
<input type="checkbox"/> Submitted as Shown	<input type="checkbox"/> Submitted with Variations
Date	_____

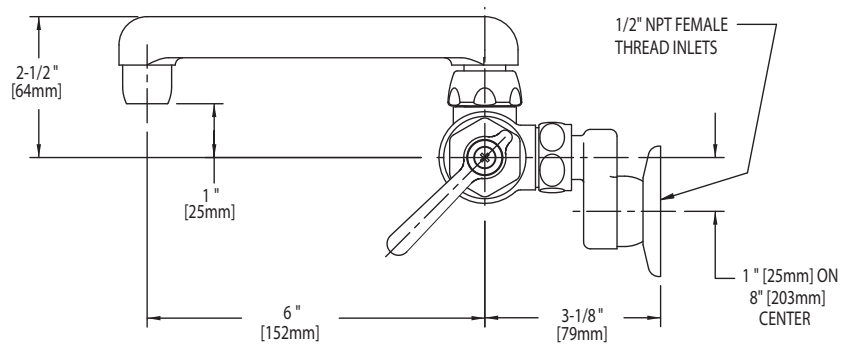
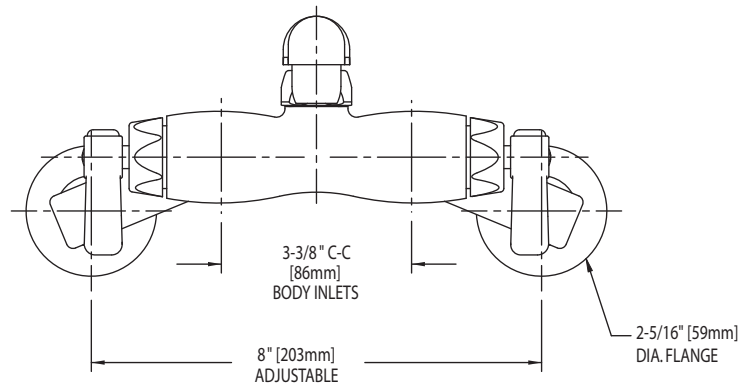


## 445-ABCP

### Wall Mounted Faucet

#### ARCHITECT/ENGINEER SPECIFICATION

Chicago Faucets No. 445-ABCP, Polished chrome plated solid brass body and spout. ECAST™ construction with less than 0.25% lead content by weighted average. 6" C-C cast swing spout. 2.2 GPM pressure compensating aerator outlet. 2 3/8" metal lever handles with eight point tapered broach and secured color coded index buttons. Quaturn™ quarter-turn renewable compression cartridge designed to close with water pressure with square tapered broach feature to help facilitate handle removal. 1/2" NPT female inlet supply arms with adjustable centers from 4" – 8 3/8", with loose wall flanges. This product meets ADA requirements and is tested and certified to industry standards: ASME A112.18.1, NSF 61, Sec. 9, CSA B125 and California Lead Plumbing Law (AB1953).



#### OPERATION AND MAINTENANCE

Installation should be in accordance with local plumbing codes. Flush all pipes thoroughly before installation. After installation, remove spout outlet or flow control and flush faucet thoroughly to clear any debris. Care should be taken when cleaning this product. Do not use abrasive cleaners, chemicals or solvents as they can result in surface damage. Use mild soap and warm water for cleaning and protecting the life of Chicago Faucet products. For specific operation and maintenance refer to the installation instructions and repair parts documents that are located at [www.chicagofaucets.com](http://www.chicagofaucets.com).

ECAST™ from Chicago Faucets, is the line of durable, high quality brass faucets and fixtures that are designed and manufactured with less than one quarter of one percent (0.25%) total lead content by weighted average. These products are intended for installation where state laws and local codes mandate lead content levels or in any location where lead content is a concern.



2100 South Clearwater Drive  
 Des Plaines, IL 60018  
 P: 847/803-5000  
 F: 847/803-5454  
 Technical: 800/TEC-TRUE  
[www.chicagofaucets.com](http://www.chicagofaucets.com)