

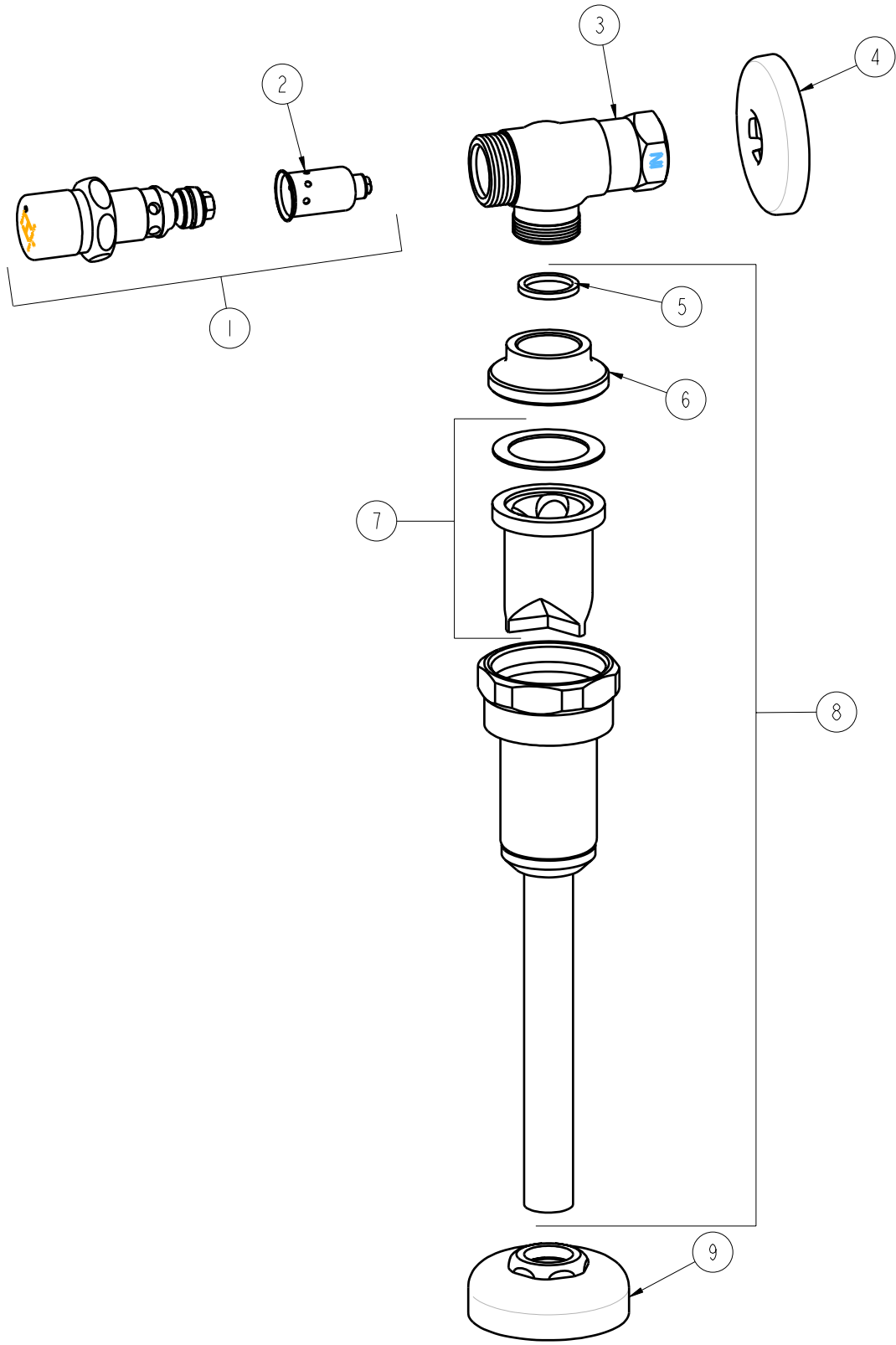
# PARTS LIST

BY: SID  
CHK'D: *[Signature]*



FINISH: AS SPECIFIED  
DATE: 10-17-03  
REV: 04-02-07

732-VB



ITEM NO.	PART NO.	DESCRIPTION	ITEM NO.	PART NO.	DESCRIPTION
1	333-XSLOPSH	FOR PARTS SEE 333XSLOPSH UNIT	6	734-001	ADAPTER
2	333-073K	SLOW DASHPOT ASSEMBLY	7	734-105K	URINAL V.B. REPAIR KIT
3	-----	VALVE BODY (NOT SOLD SEPARATELY)	8	734	URINAL VALVE VACUUM BREAKER
4	749-016	WALL FLANGE	9	142-PP	FLANGE ASSEMBLY PRE-PACK
5	734-005	GASKET			