

# CHICAGO FAUCETS



2100 SOUTH CLEARWATER DRIVE  
DES PLAINES, ILLINOIS 60018-5999

Last As Long As The Building

FITTING NO.

625

SUBMITTED MODEL NO.

JOB NAME

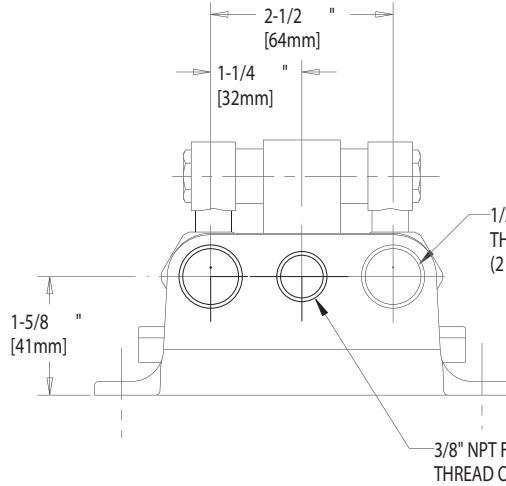
ITEM NO.

SUBMITTED AS SHOWN

SUBMITTED AS NOTED

SEE ATTACHED FOR  
SUBMITTED MODIFICATION

IS ASSUMED FOR USE OF SUPERCEDED OR VOIDED DATA.

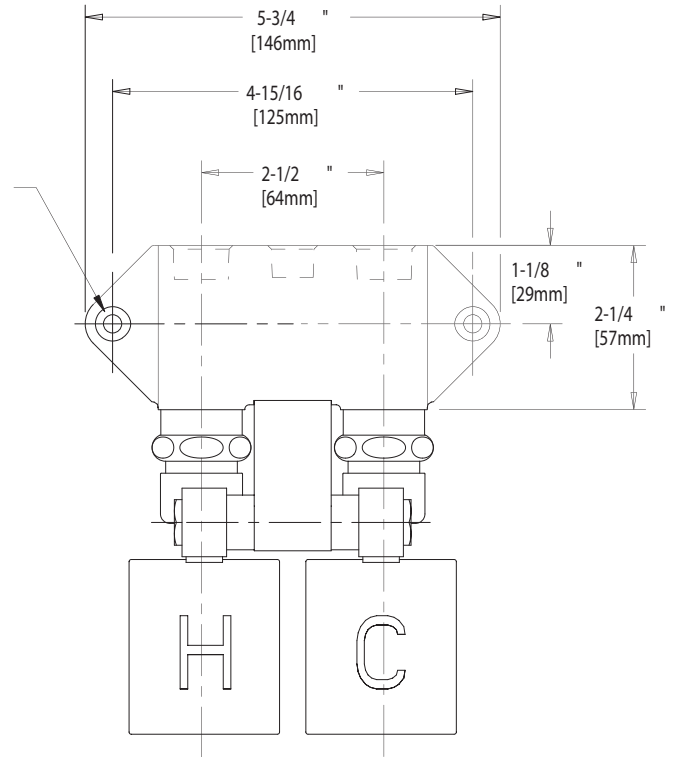


BACK VIEW

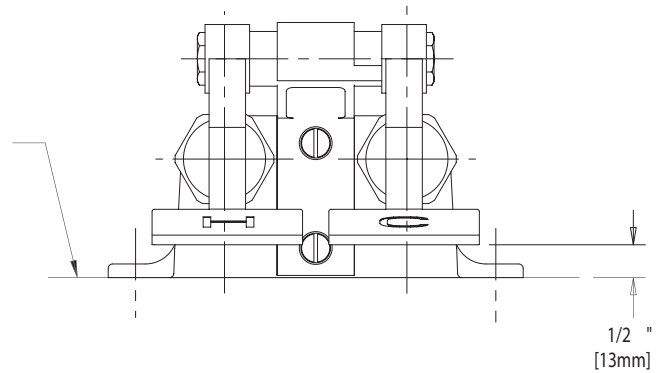
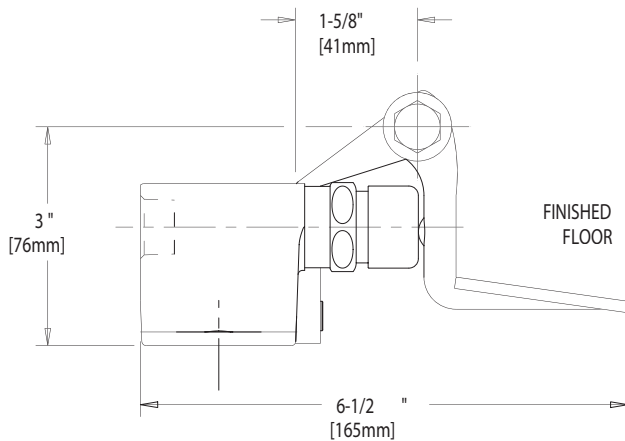
MOUNTING HOLE  
1/4" [6mm] DIA.  
HOLE THRU  
1/2" [13mm] DIA.  
X 82° C'SINK

1/2" NPT FEMALE  
THREAD INLET  
(2 PLACES)

3/8" NPT FEMALE  
THREAD OUTLET



ROUGHING IN DIMENSIONS MAY VARY AND ARE SUBJECT TO CHANGE. NO RESPONSIBILITY



DIMENSIONS IN INCHES AND [MILLIMETERS].

TECHNICAL DATA

- COMBINATION PEDAL VALVE
- SHORT INDEXED PEDALS
- 628X NAIAD SELF CLOSING CARTRIDGES
- FINISH: CHROME PLATE OR ROUGH CHROME

- ASME A112.18.1M COMPLIANT
- CSA B125 COMPLIANT
- NSF 61 COMPLIANT

DATE: 04-29-02

BY: SID

CHK'D:

APP'D:

REV: A

625